

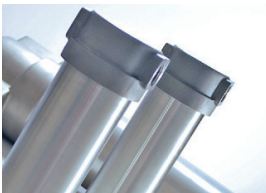
# Ammonia & Refrigerant Filters

Flow rates 20 SCFM (35 Nm<sup>3</sup>/hr) to 675 SCFM (1150 Nm<sup>3</sup>/hr)

**Precision engineered from high grade stainless steel, Walker Filtration provides a comprehensive range of Ammonia and Refrigerant Filters for specialist applications where the quality of gas needs to be maintained at the highest levels.**

Featuring custom engineered filtration media and delivering exceptional performance with minimum pressure drop, Walker Filtration's Ammonia and Refrigerant Filter range is comprised of 8 stainless steel filter housings with connection sizes of ¼" to 2" NPT and flow rates to 675 scfm (1150Nm<sup>3</sup>/hr). Threaded connections are NPT to ANSI B2.1 as standard. RP (BSP parallel) connections are also available upon request.

The range also incorporates our 'push fit' filter element design which reduces maintenance time and allows the filter to be located within the most confined of places.



- **Advanced Filtration Technology** Custom engineered filtration media delivers exceptional filtration with minimal pressure drop
- **Quality Control** All Ammonia and Refrigerant Filters are PED compliant for Group 1 Gasses
- **Push Fit Element Design** Uniquely designed 'push fit' elements streamlines element change out to reduce maintenance time and allow the filter to be located within the most confined places
- **Supplied as standard with a drain plug** High pressure drains available upon request



Pneumatic Conveying



Food Production



General Industry



Pharmaceutical



**Exceptional  
filtration  
with minimal  
pressure drop**



For further information please visit [www.walkerfiltration.com](http://www.walkerfiltration.com)

For further information please call: +1 814 836 2900



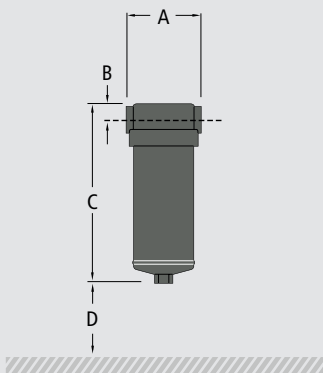
# Technical Specification

Filter model	Pipe size inches	Inlet flow rate*		Dimensions inches (mm)				Weight		Element model
		SCFM	Nm <sup>3</sup> /hr	A	B	C	D	lbs	Kg	
C025 (grade)	1/4	20	35	3.35 (85)	0.71 (18)	6.69 (170)	2.95 (75)	3.7	1.7	E050 (grade) NH3
C037 (grade)	3/8	30	52	3.35 (85)	0.71 (18)	8.07 (205)	3.94 (100)	4.4	2.0	E051 (grade) NH3
C050 (grade)	1/2	63	108	3.35 (85)	0.71 (18)	10.04 (255)	3.94 (100)	4.8	2.2	E052 (grade) NH3
C75 (grade)	3/4	127	216	4.33 (110)	1.06 (27)	10.63 (270)	5.91 (150)	8.8	4.0	E715 (grade) NH3
C101 (grade)	1	176	300	4.33 (110)	1.06 (27)	16.54 (420)	11.81 (300)	11.0	5.0	E730 (grade) NH3
C150 (grade)	1 1/2	427	725	5.91 (150)	1.77 (45)	20.67 (525)	11.81 (300)	33.0	15.0	E830 (grade) NH3
C200 (grade)	2	470	800	5.91 (150)	1.77 (45)	20.67 (525)	11.81 (300)	33.0	15.0	E830 (grade) NH3
C201 (grade)	2	675	1150	5.91 (150)	1.77 (45)	32.48 (825)	19.69 (500)	46.2	21.0	E86 (grade) NH3

\*Rated flow at 100 psig (7 barg), reference conditions at 14.7 psi(a) (1.014 bar(a)), 68°F (20°C)

Grade	X1 NH <sub>3</sub>		XA NH <sub>3</sub>	
Particle removal	1 micron		0.01 micron	
Maximum temperature 68°F (20°C)	248°F	120°C	248°F	120°C
Pressure loss - clean & dry	1.1 psi	75 mbar	1.5 psi	100 mbar
Pressure loss - oil saturated	2.2 psi	150 mbar	4.4 psi	300 mbar
Pressure loss - change element	6.0 psi	400 mbar	6.0 psi	400 mbar
Maximum working vacuum	232 psig	16 barg	232 psig	16 barg
Pressure loss - change element	Full Vacuum			
Element end cap material	Stainless Steel			

Pressure correction factor	for maximum flow rate, multiply model flow rate by the correction factor corresponding to the minimum operating pressure													
Operating pressure psig (barg)	4 (0.3)	9 (0.6)	14.5 (1)	29 (2)	44 (3)	58 (4)	72 (5)	87 (6)	100 (7)	115 (8)	145 (10)	174 (12)	203 (14)	232 (16)
100 psig - correction factor	0.21	0.29	0.38	0.53	0.65	0.76	0.84	0.92	1.00	1.07	1.19	1.31	1.41	1.51



C025 (grade) to C201 (grade)

## Technical Notes

1. Threaded Ammonia and Refrigerant Filters are manufactured from 316L stainless steel.
2. Direction of air flow is inside to out through the filter element.
3. All models are supplied with a drain plug.
4. All Ammonia and Refrigerant Filters are PED compliant for Group 1 Gases.
5. Threaded connections are NPT to ANSI B2.1 as standard. Rp (BSP parallel) to ISO 7/1 available upon request.
6. Filters are suitable for use with mineral and synthetic oils, plus oil-free compressed air applications.
7. Filter elements should be changed every 12 months/8000 hours (whichever comes first).

CRN



THE QUEEN'S AWARDS  
FOR ENTERPRISE  
INNOVATION  
2016