

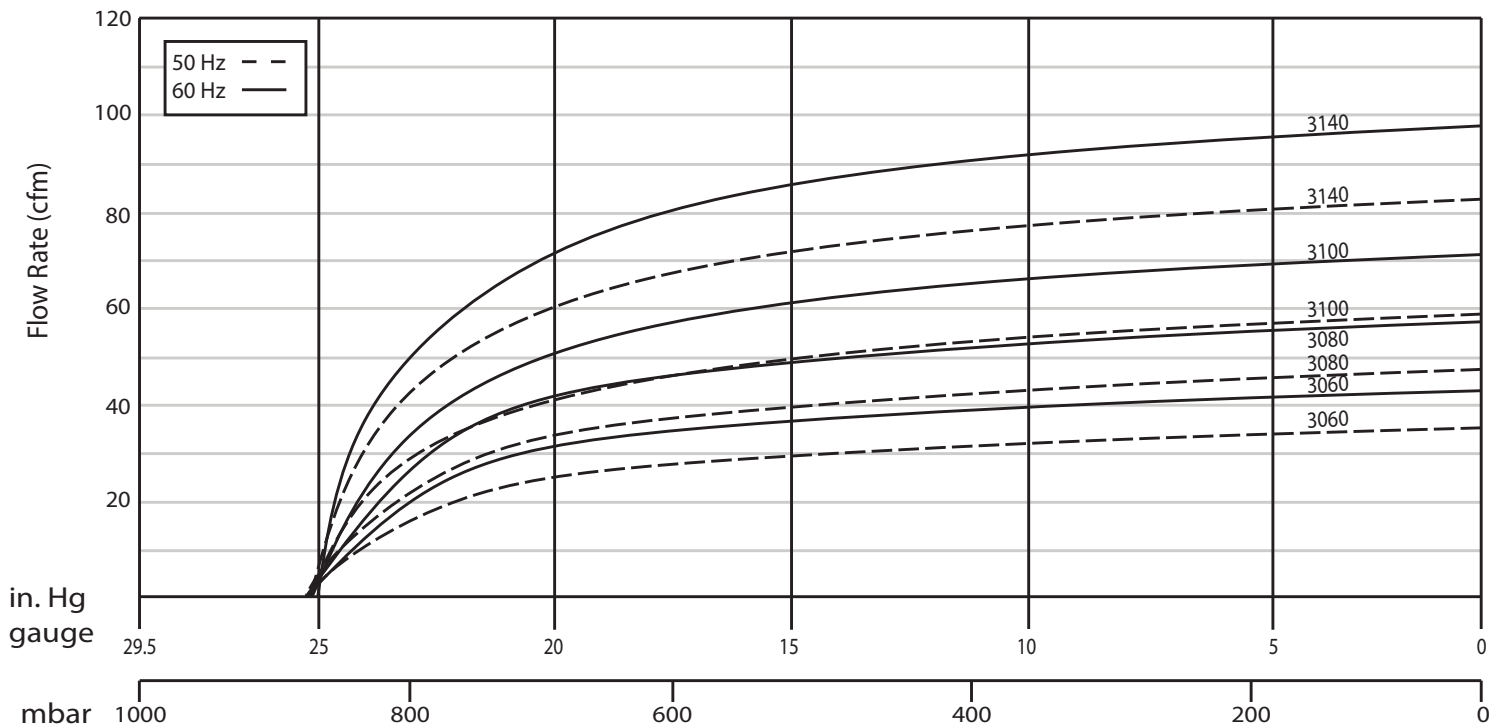
Republic offers the VRT series of dry-running rotary vane vacuum pumps and are ideally suited for oil-free applications. They are single stage, air-cooled and direct driven for continuous operation. The design is one of the most reliable and simplest vacuum pumps available. These rugged pumps are simple to install and easy to service and maintain. The smaller pumps come with a motor integrated, while the larger pumps are available with or without motor. These pumps have a displacement ranging from 5 to 176 CFM (10 to 300 m³/hr) and a maximum vacuum of 150 torr.



The VRT series is used in a variety of industries such as vacuum lifting, woodworking, environmental applications electronics, packaging, conveying, robotics, medical vacuum/central vacuum, and printing.

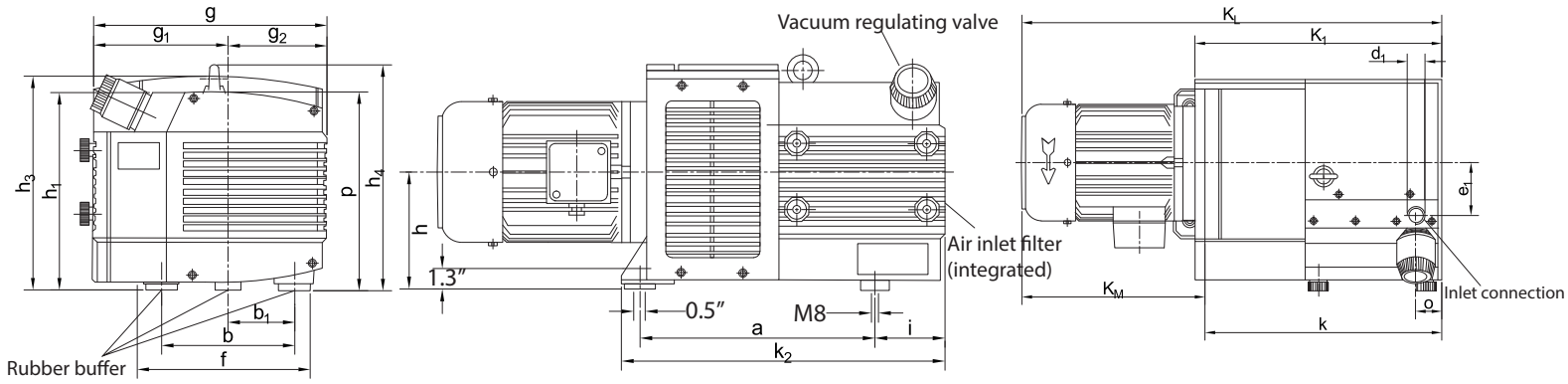
PERFORMANCE

Model	Displacement (CFM/m ³ /hr)		Ultimate Vacuum Max (In. Hg./Torr/mbar)	Noise Level (dB)		Weight (lb/kg)	Motor Output (HP/kW)		Voltage 3 Phase (V)		Speed (rpm)	
	50 Hz	60 Hz		50 Hz	60 Hz		50 Hz	60 Hz	50 Hz	60 Hz	50 Hz	60 Hz
3060	35/60	42/72	25.5/112.5/150	71	73	155/70	2.2 kw	3.5 hp	230/400	208-230/460	1420	1700
3080	47/80	57/96	25.5/112.5/150	72	75	155/70	2.2 kw	3.5 hp	230/400	208-230/460	1420	1700
3100	59/100	71/120	25.5/112.5/150	75	77	232/105	3.0 kw	4.8 hp	230/400	208-230/460	1420	1700
3140	82/140	99/168	25.5/112.5/150	76	79	254/115	4.0 kw	6.4 hp	230/400	208-230/460	1420	1700



All measurements are ±10%

APPROXIMATE DIMENSIONS



Model	Unit	a	b	b1	d1	e1	f	g	g1	g2	h	h1	h3	h4	i	k	k1	k2	k1	km	o	p
3060	in	12.9	7.5	3.7	1.0"	2.6	9.3	13.2	7.4	5.9	6.3	10.8	12.4	13.0	3.7	15.8	16.5	17.8	28.7	13.0	1.9	11.4
	mm	327	190	95	1.0"	65	235	335	189	150	161	275	314	331	94	401	419	451	729	330	50	289
3080	in	12.9	7.5	3.7	1.0"	2.6	9.3	13.2	7.4	5.9	6.3	10.8	12.4	13.0	3.7	15.8	16.5	17.8	28.8	13.0	1.9	11.4
	mm	327	190	95	1.0"	65	235	355	189	150	161	275	314	331	94	401	419	451	731	330	50	289
3100	in	16.6	9.6	5.3	1.5"	3.7	11.6	18.5	9.2	8.7	6.4	9.3	14.8	15.0	5.8	20.8	21.4	22.4	36.4	15.7	0.9	13.2
	mm	422	245	134	1.5"	95	295	470	233	222	162	235	376	382	147	528	543	570	926	398	24	336
3140	in	16.2	9.6	5.3	1.5"	3.7	11.6	18.5	9.2	8.7	6.4	9.3	14.8	15.0	5.8	20.8	21.4	22.4	36.4	15.7	0.9	13.2
	mm	412	245	134	1.5"	95	295	470	233	222	162	235	376	382	147	528	543	570	926	398	24	336

Optional Accessories

- Inlet filter
- Inlet check valve
- Vacuum gauge
- Motor starter
- Control panel
- PLC