

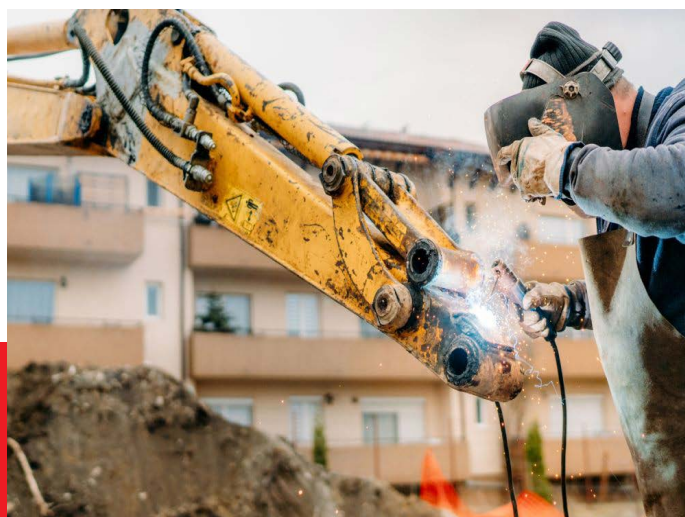


# 5-IN-1 MULTIFUNCTION POWER SYSTEM

MF - HONDA



POWERED by **HONDA**™



## BENEFITS



### More Power For Tougher Jobs

The VMAC Multifunction Power System provides 40 CFM @ 100 psi of compressed air, 8 kW of electric power, up to 250 A of welding capability, 12V and 24V charging, and 300 A boosting. This gas powered air compressor, generator, welder, booster and charger combo gives you all the power you need to tackle tough jobs in any location.



### A Quiet Multipurpose Machine

VMAC's 5-in-1 multi-power system is seriously quiet compared to similar systems, emitting only 73 dB at high idle, 63 dB at compressor idle and 59 dB at low idle. With noise reduction panels, multi-speed idle controls, and Standby Mode, jobsite noise is reduced considerably or removed entirely. Operators will appreciate easier communication, and neighbors will appreciate less disturbance.



### Easy, Simultaneous Operation

Use just one function, or all functions simultaneously\*, with the ability to seamlessly switch between operations with easy-to-use controls, eliminating the need to maneuver multiple machines on the jobsite. This powerful machine is designed for today's mobile mechanic—just turn it on and get to work.

*\*Simultaneous operation may reduce the performance of individual components.*



### Compact & Lightweight

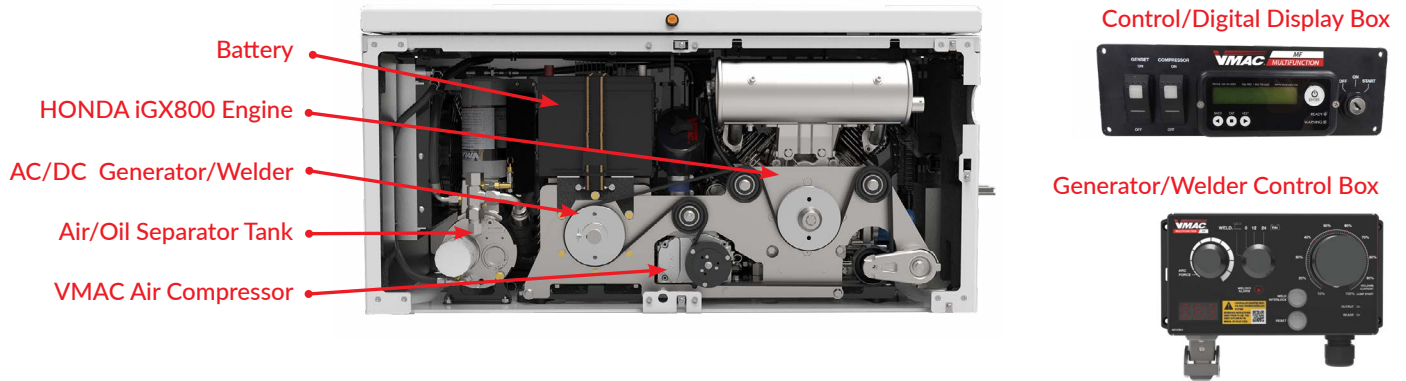
VMAC's 5-in-1 Multifunction is up to 13 cubic feet smaller and 150 lb lighter than comparable multi-power systems. When you choose VMAC for your multi-power needs, you free up valuable cargo space on the truck and reduce your GVW, allowing you to carry more tools, equipment, and materials.



### Reduce Truck Maintenance & Fuel Costs

The VMAC Multifunction Power System reduces truck maintenance and improves fuel economy by allowing operators to turn their truck engines off while on the jobsite. Also, by reducing vehicle weight, automatically idling the Honda engine up/down with air demand, and turning the Honda engine off/on with air demand, the VMAC Multifunction Power System allows operators to improve fuel economy.

## COMPONENTS



## SPECIFICATIONS

<b>Air Compressor Output</b>	40 CFM @ 100 psi (150 psi max)										
<b>Air Compressor Type</b>	Belt-driven, 100% duty cycle, VMAC oil-injected rotary screw										
<b>Engine</b>	Honda iGX800 V-Twin gas engine; 779 cc; Electronic Fuel Injection (EFI); Electronic Control System (ECS) with integrated configurable ECU and electronic self-tuning regulator/governor; air-cooled										
<b>Weight (dry)</b>	500 lb (227 kg)										
<b>Dimensions</b>	47" (l) x 21.4" (w) x 23.5" (h); 120 cm (l) x 51 cm (w) x 60 cm (h)										
<b>Decibels (dB) @ 23 feet (7 m)</b>	73 dB at high idle, 63 db at compressor idle, 59 dB at low idle, 0 dB in Standby Mode										
<b>AC/DC Generator/Welder</b>	<table border="0"> <tr> <td>AC: 8 kW output</td> <td>DC: For battery boosting/jump starting, other DC loads</td> </tr> <tr> <td>1 x 30 A, 240V, 60 Hz 3 phase circuit (w/terminal strip)</td> <td>» Boost – 300 A max @ 13V</td> </tr> <tr> <td>» 2 x 20 A, 120V, 60 Hz single phase circuit (w/terminal strip &amp; plugs)</td> <td>» CC mode for SMAW and GTAW (stick/TIG welding)</td> </tr> <tr> <td></td> <td>» Charge – 100 A max @ 12V &amp; 24V</td> </tr> <tr> <td></td> <td>250 A @ 35% duty cycle; 190 A @ 60% duty cycle</td> </tr> </table>	AC: 8 kW output	DC: For battery boosting/jump starting, other DC loads	1 x 30 A, 240V, 60 Hz 3 phase circuit (w/terminal strip)	» Boost – 300 A max @ 13V	» 2 x 20 A, 120V, 60 Hz single phase circuit (w/terminal strip & plugs)	» CC mode for SMAW and GTAW (stick/TIG welding)		» Charge – 100 A max @ 12V & 24V		250 A @ 35% duty cycle; 190 A @ 60% duty cycle
AC: 8 kW output	DC: For battery boosting/jump starting, other DC loads										
1 x 30 A, 240V, 60 Hz 3 phase circuit (w/terminal strip)	» Boost – 300 A max @ 13V										
» 2 x 20 A, 120V, 60 Hz single phase circuit (w/terminal strip & plugs)	» CC mode for SMAW and GTAW (stick/TIG welding)										
	» Charge – 100 A max @ 12V & 24V										
	250 A @ 35% duty cycle; 190 A @ 60% duty cycle										
<b>Fuel Supply Options</b>	<ul style="list-style-type: none"> <li>» Base-mounted 12-gallon fuel tank uses internal Honda engine fuel pump; includes low fuel level switch; EPA compliant; adds 8" (20.3 cm) to system height; available uninstalled or factory-installed</li> <li>» External gas fuel pump kit; required for remote mounted fuel tanks</li> </ul>										
<b>Battery</b>	ACDelco 12V, 460 CCA, 575 CA										
<b>Control System</b>	<ul style="list-style-type: none"> <li>» Remote mounted control/digital display box with electronic key switch and LCD for compressor on/off controls, observing system status and adjusting parameters</li> <li>» Remote mounted generator/welder control box with genset voltage meter and selector, welding current and ARC force control; socket for optional remote welding control; integrated voltage sensing interlock feature ensures safe welding/battery boosting and protects equipment by disabling the genset should an unsafe condition occur</li> <li>» Separate selector switches engage compressor, generator; any one function or both can be selected at any time</li> <li>» Multi-speed throttle control responds to operating function and air demand</li> <li>» With compressor-only selected, and sustained periods of no air use, the control system will shut down the engine (Standby Mode)</li> <li>» With generator selected, the engine will not shut down automatically</li> </ul>										
<b>Cold Climate Protection</b>	<ul style="list-style-type: none"> <li>» System will wait to load and go into running state until the engine temperature is above 50°F (10°C) and the compressor temperature is above 41°F (5°C)</li> <li>» Engine will automatically restart when system temperature falls below 23°F (-5°C); small heat strip included in LCD Digital Control Box</li> <li>» Battery jump start connections are recommended to be tied into the truck batteries in locations where extreme cold is expected; it is not necessary in mild climates</li> </ul>										
<b>Cold Climate Kit (optional)</b>	<ul style="list-style-type: none"> <li>» Recommended if ambient temperatures frequently drop below 14°F (-10°C)</li> <li>» Plugs into a 120V power source and the compressor and separator tank heaters will turn on</li> <li>» Optional 800 W (minimum) power inverter allows cold climate kit to engage on the way to the job site</li> </ul>										
<b>Air Receiver Tank</b> <i>(Recommended but not included)</i>	Minimum 6-gallon air receiver tank recommended for proper operation of all functions										
<b>Warranty</b>	<ul style="list-style-type: none"> <li>» Two years on all major components; VMAC air-ends are covered by VMAC's Lifetime Limited Warranty</li> <li>» Honda engine is covered by Honda's 3-year Limited Warranty</li> </ul>										

