



FEATURES

- Single stage, direct-driven
- Continuous, contactless, oil-free operation
- Energy efficient for substantial savings
- Minimal downtime
- Air-cooled, no water required
- Simple installation
- Virtually maintenance-free
- Low noise levels
- Integrated check valve and vacuum regulator

APPLICATIONS

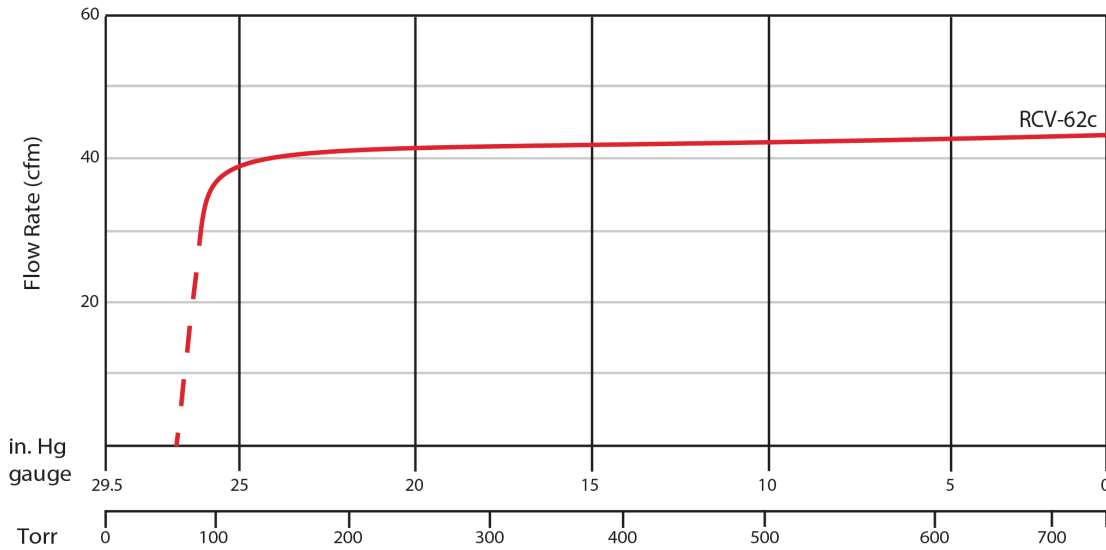
- Forming
- Dehydration
- Packaging
- Conveying
- Printing
- Environmental
- Medical
- Laboratory
- CNC vacuum hold down
- Pick & place
- Plastics

OPTIONAL ACCESSORIES

- Inlet filter
- Vacuum gauge
- Motor starter
- Control panel
- Central systems supporting 1-6 pumps
- **Pre-Assembled Vacuum Kit Available (KVRCV-62c):** All plumbing, filtration, check-valves, regulating valves, and gauges required for quick installation and easy maintenance.

RCV-62C

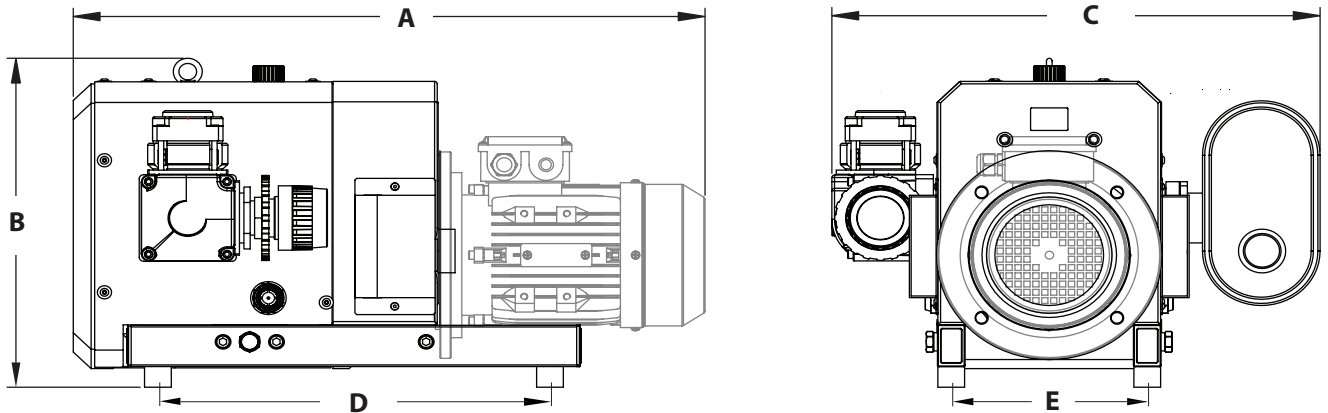
PERFORMANCE (60HZ)



Model	Phase	Displacement (cfm)	Ultimate Continuous Vacuum (inHg/Torr)	hp	Motor Speed (RPM)	Voltage (V)	FLA	Noise Level (dBA)	Approx. Weight (lb)	Gear Oil Amt. (L)
RCV-62c	3	42	27/75	2.0	3450	230/460	5.5/2.8	80	132	0.6
RCV-62c-SP	1	42	27/75	2.0	3600	115/208-230	16.0/8.8-8.0	80	132	0.6

All measurements are ±10%. Standard motor is Class 1 Div 2.

APPROXIMATE DIMENSIONS



Model	A	B	C	D	E	Inlet/Outlet
RCV-62c	29.8"	12.6"	18.2"	9.7"	5.7"	1.00" NPT
RCV-62c-SP	29.8"	12.6"	18.2"	9.7"	5.7"	1.00" NPT

Please contact the factory for precise dimensions.

