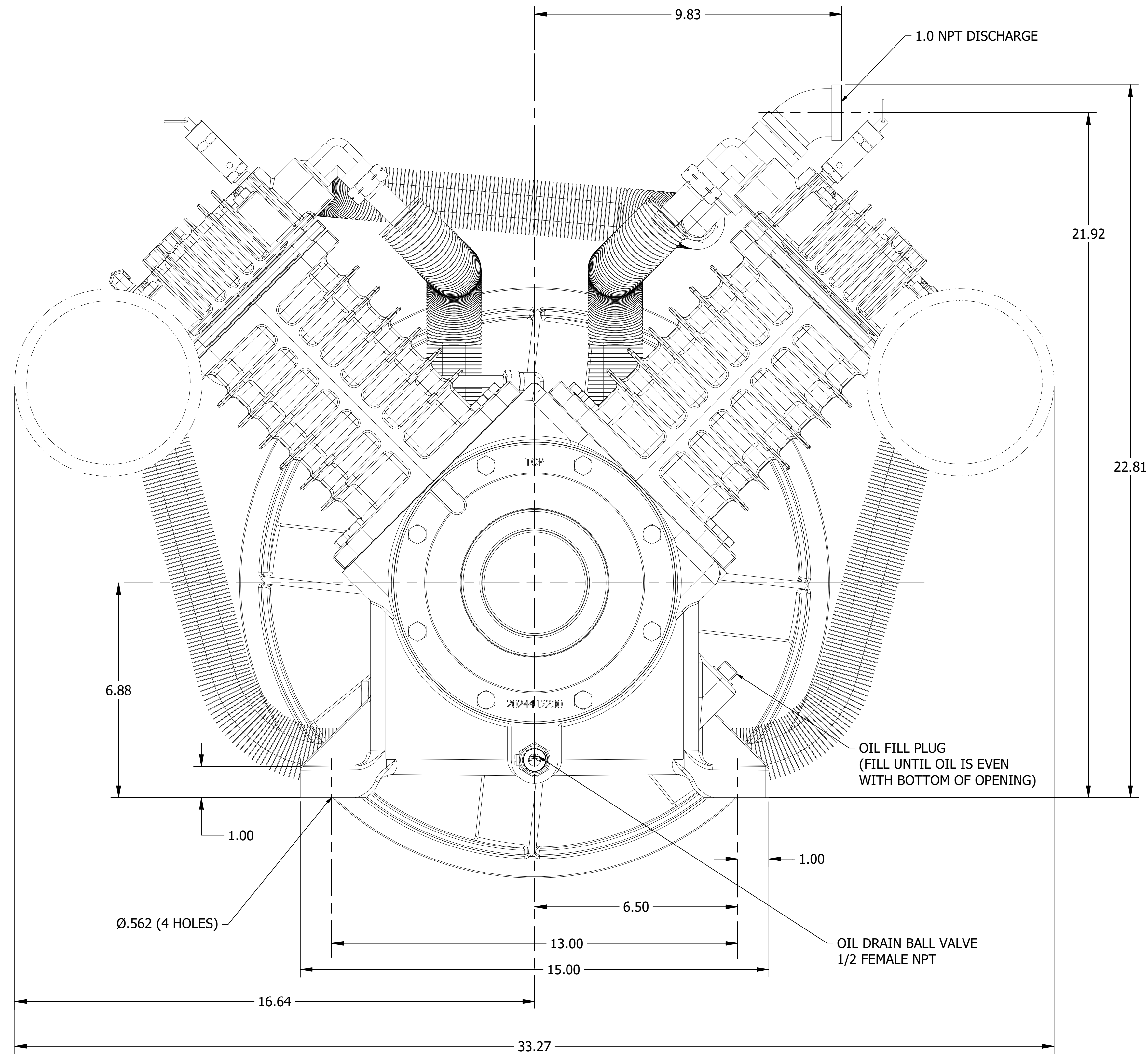
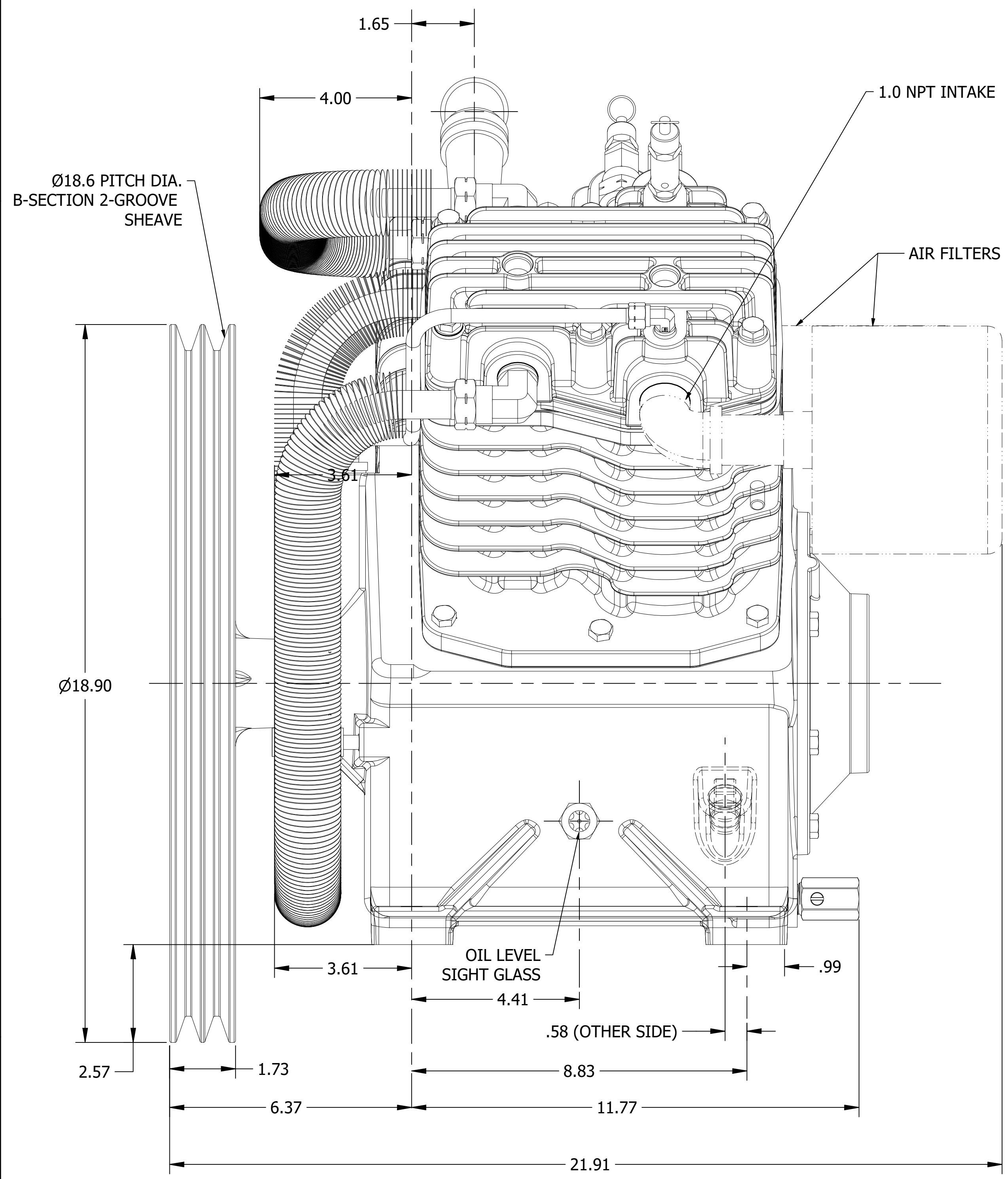


Ed	Position	Description	Date	Intr./Appd.
00		DRAWING RELEASED	03/22	BW

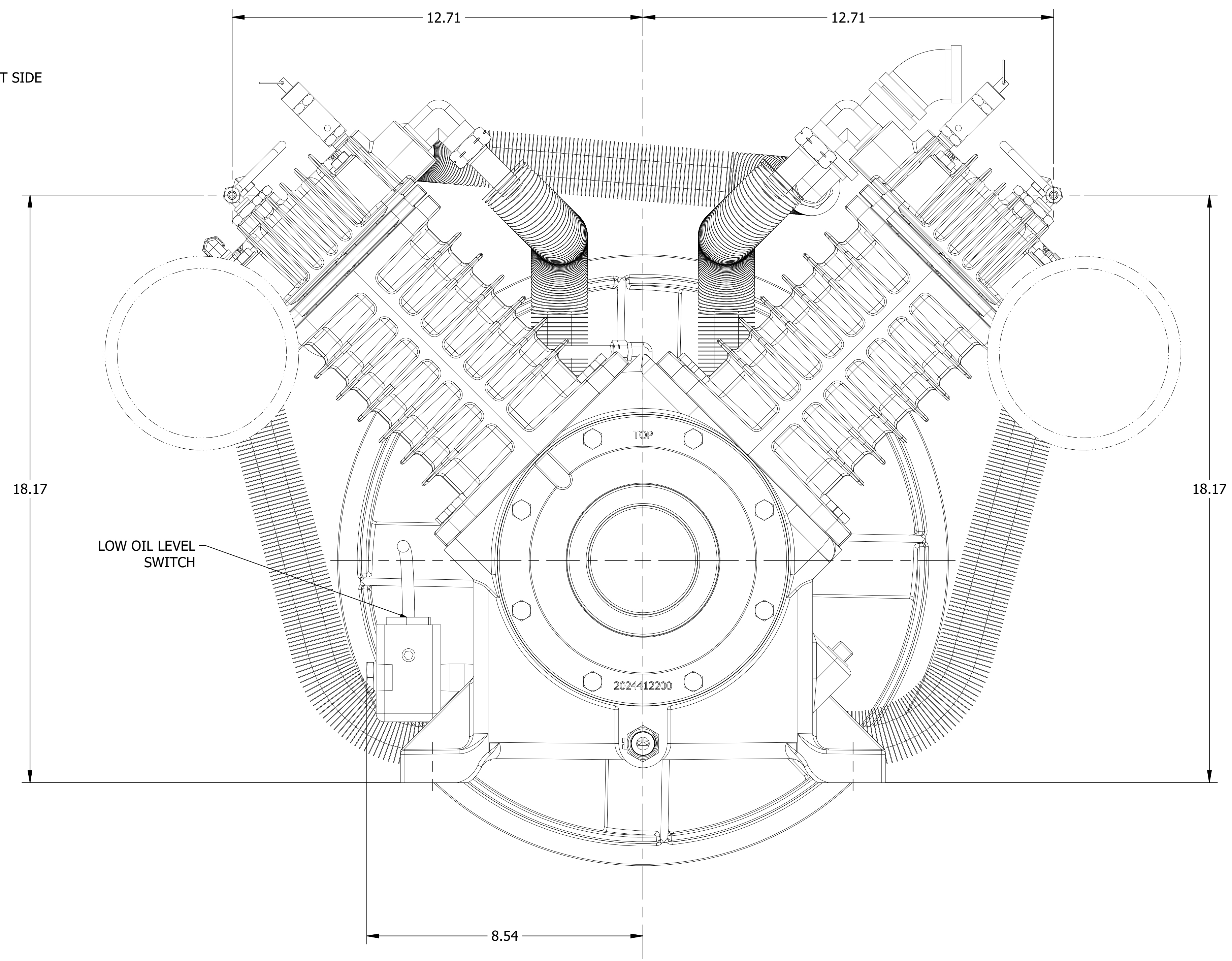
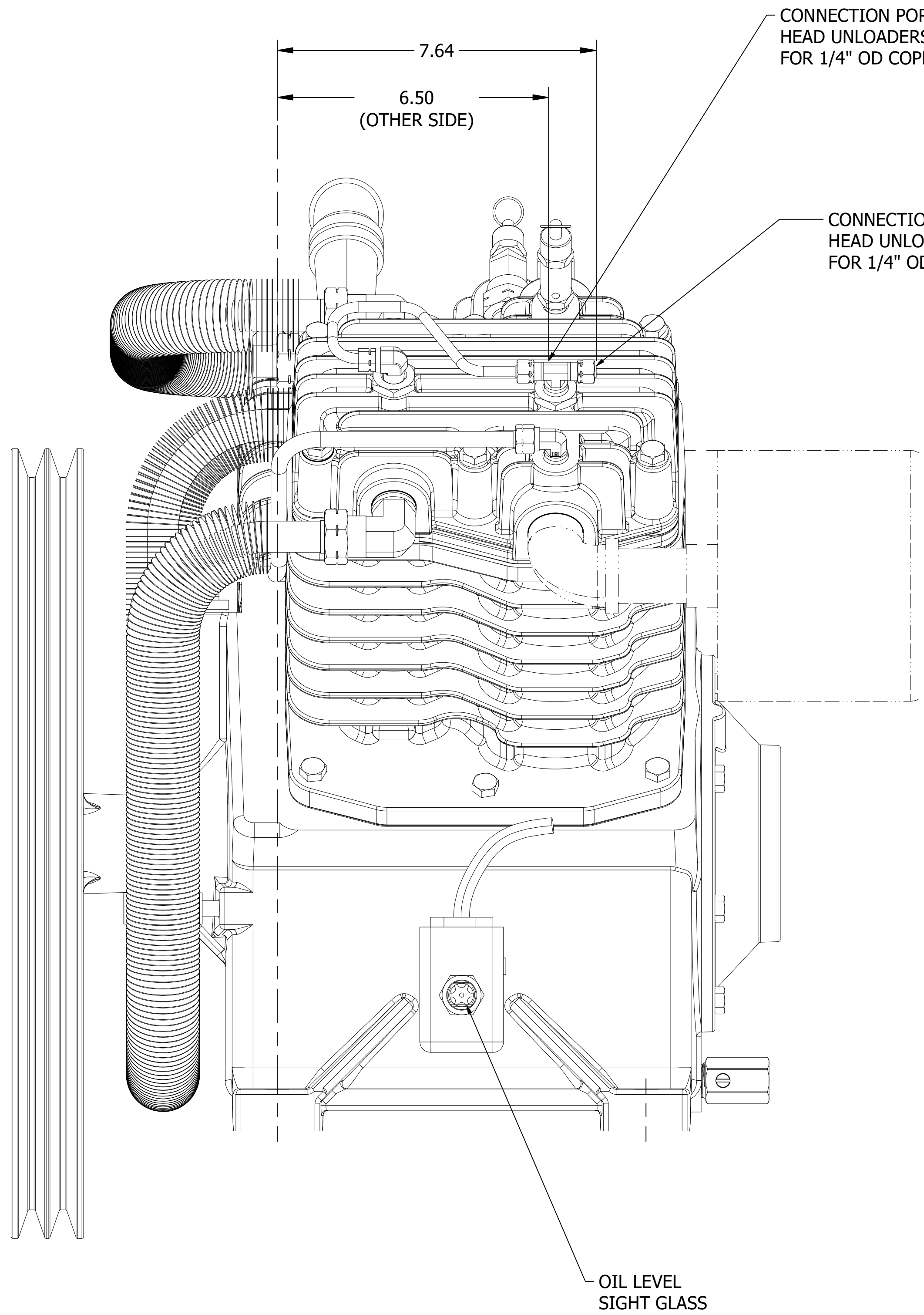


- NOTES**
- 1) ALL DIMENSIONS GIVEN IN INCHES
  - 2) QT-2 BASIC IS SPLASH LUBRICATED
  - 3) STANDARD WEIGHT (DRY): APPROX. 265 LBS
  - 4) SEE SHEET 2 FOR OPTIONAL HEAD UNLOADERS AND LOW OIL LEVEL SWITCH

Name: DWG, DIMENSIONAL, QT-2, BASIC		Confidentiality Class: 1102K Internal	
Material: Not Applicable		Drawing owner: UTY	
Finish: Not Applicable		Replaces: _____	
Scale: 1:2	Family: _____	Make From: _____	Designation: _____
Drawn by: utywalker	Version Drwg: _____	Blank wt: _____	Prod checked: _____
2020040402	Ed. Version 3D	lb: _____	Approved: _____
Parent 3D model	Ed. Version 3D	lb: 265	Date: 22/03/2022
Approved Internal		2020040402	

All materials supplied are in compliance with the requirements of the List of Prohibited Substances.  
 CONFIDENTIAL: The enclosed is property of Quincy Compressors, LLC and shall not be used, copied, reproduced, or disseminated in any form or by any means without the prior written permission of Quincy Compressors, LLC.

Ed	Position	Description	Date	Intr./Appd.
00		DRAWING RELEASED	03/22	BW



CONFIDENTIAL: This document is property of Quincy Compressor, LLC and shall not be used, copied, or disseminated in any form or by any means without the prior written permission of Quincy Compressor, LLC.

Name		DWG.DIMENSIONAL,QT-2,BASIC			Confidentiality Class acc. to 1102K Internal	
Material		Not Applicable			INV	
Finish		Not Applicable			Drawing owner UTY	
2020040408	Scale	1:2	Family		D	Similar to
	Drawn by	utywalker	Make From		Replaces	
Parent 3D model	Version Drwg		Blank wt	lb	Fin wt	265 lb
	Des checked		Prod checked		Approved	Date 22/03/2022
Ed . Version 3D		Approved Internal		2020040402		Sheet 2 / 2