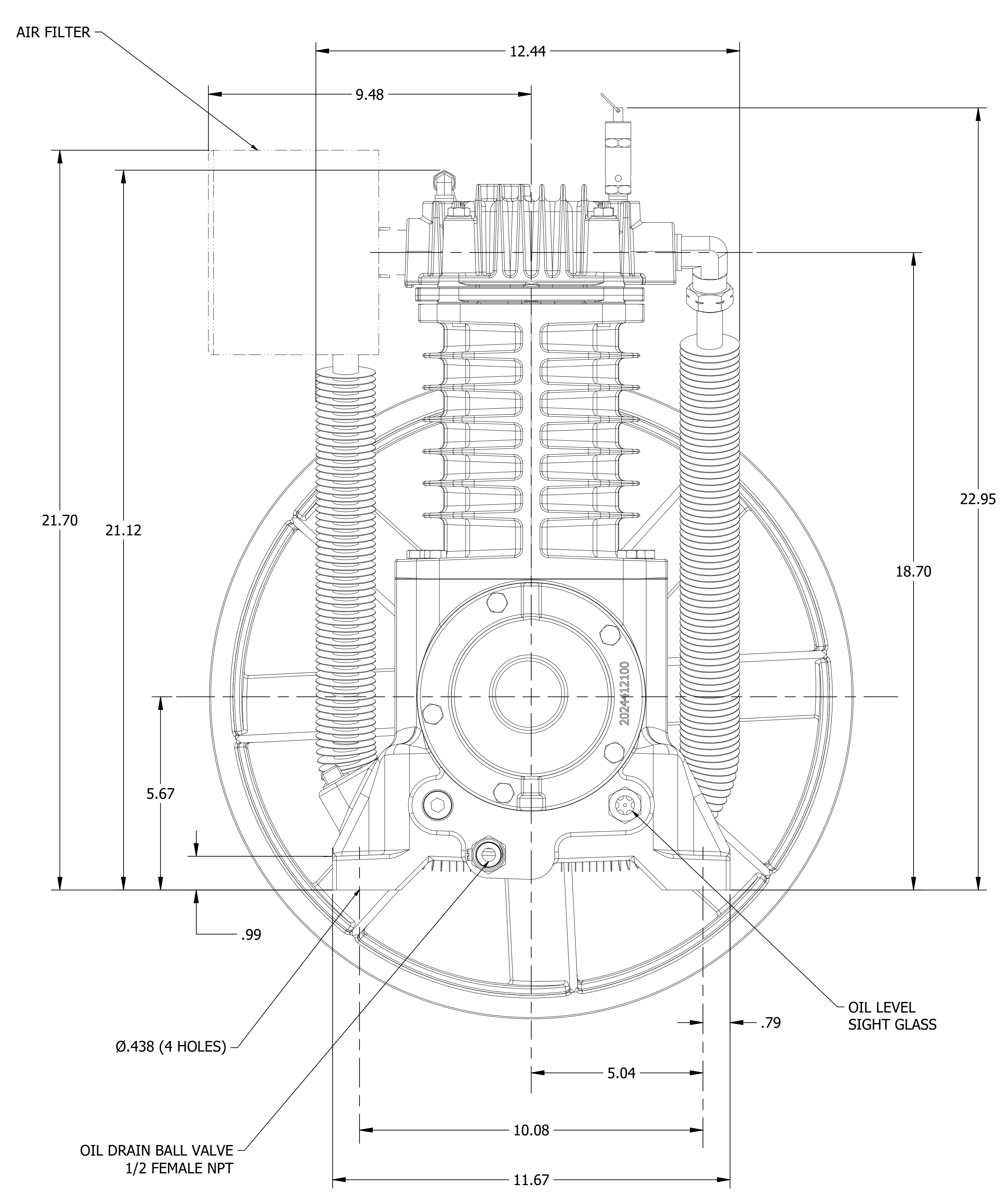
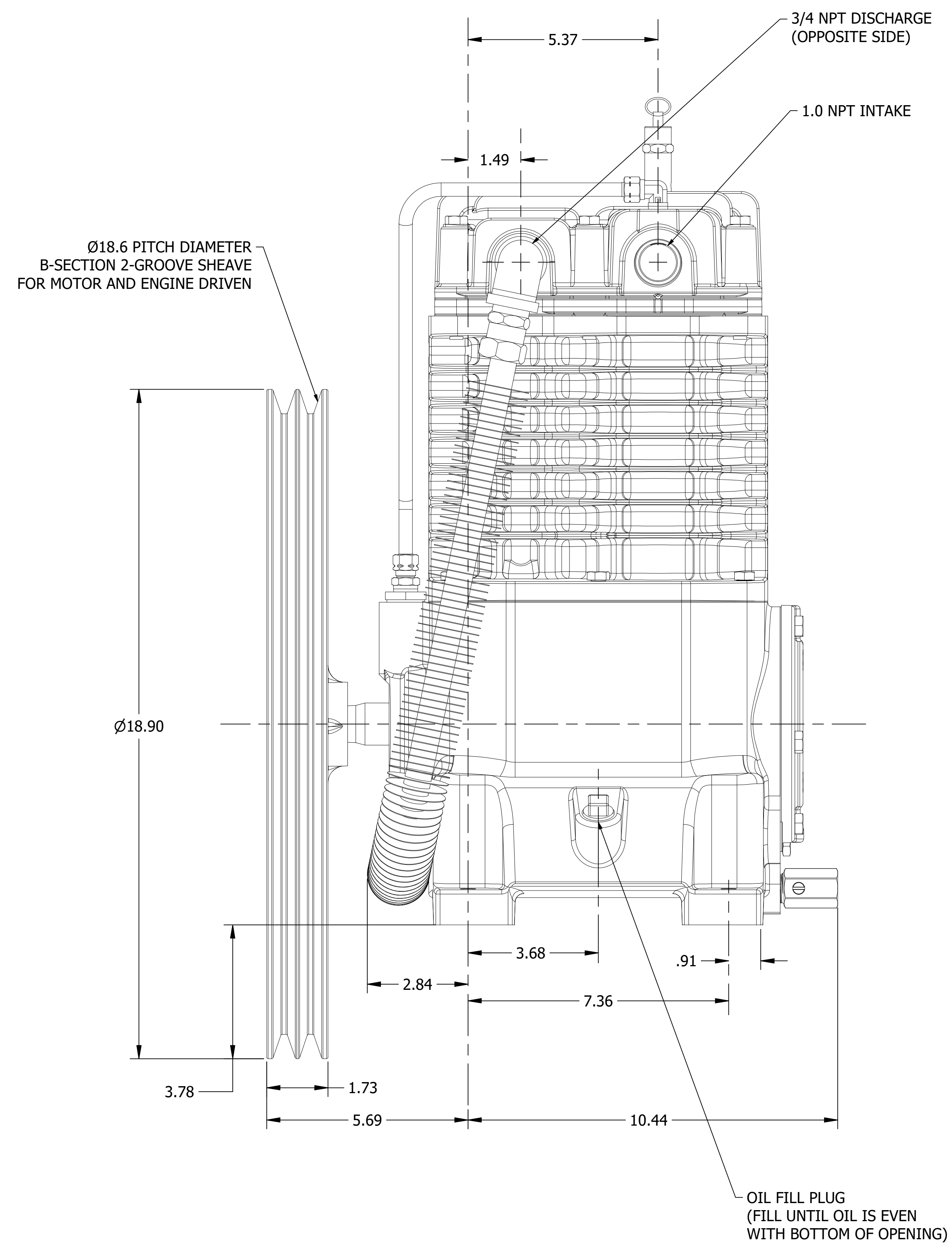


Ed	Posi- ion	Description	Date	Intr./Appd.
00		DRAWING RELEASED	03/22	BW

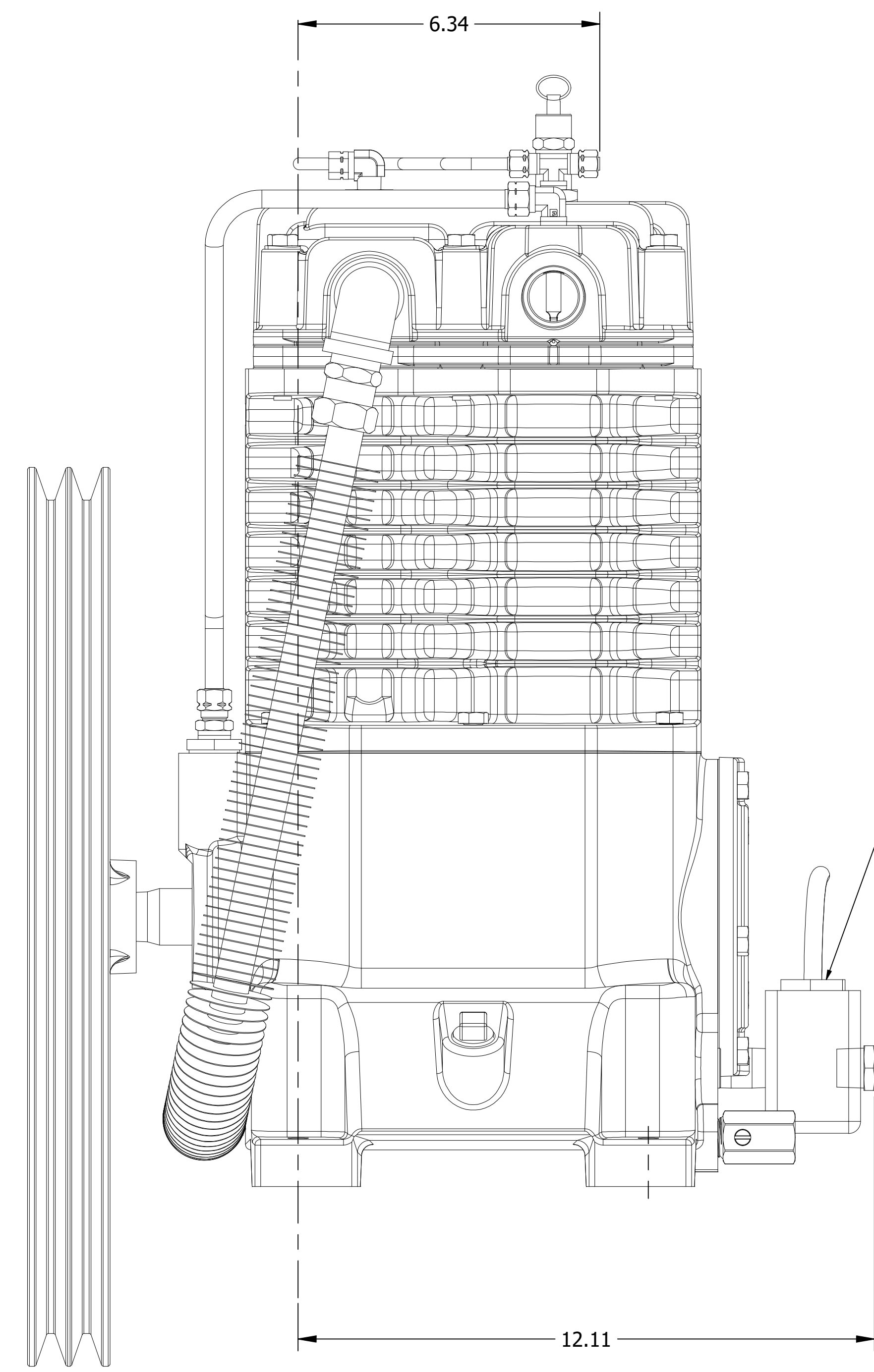
All materials supplied are in compliance with the requirements of the List of Prohibited Substances.  
 CONFIDENTIAL: This document is property of Quincy Compressor, LLC and shall not be used or reproduced without the written permission of Quincy Compressor, LLC. This document is intended for internal use only and is not to be distributed outside of Quincy Compressor, LLC.



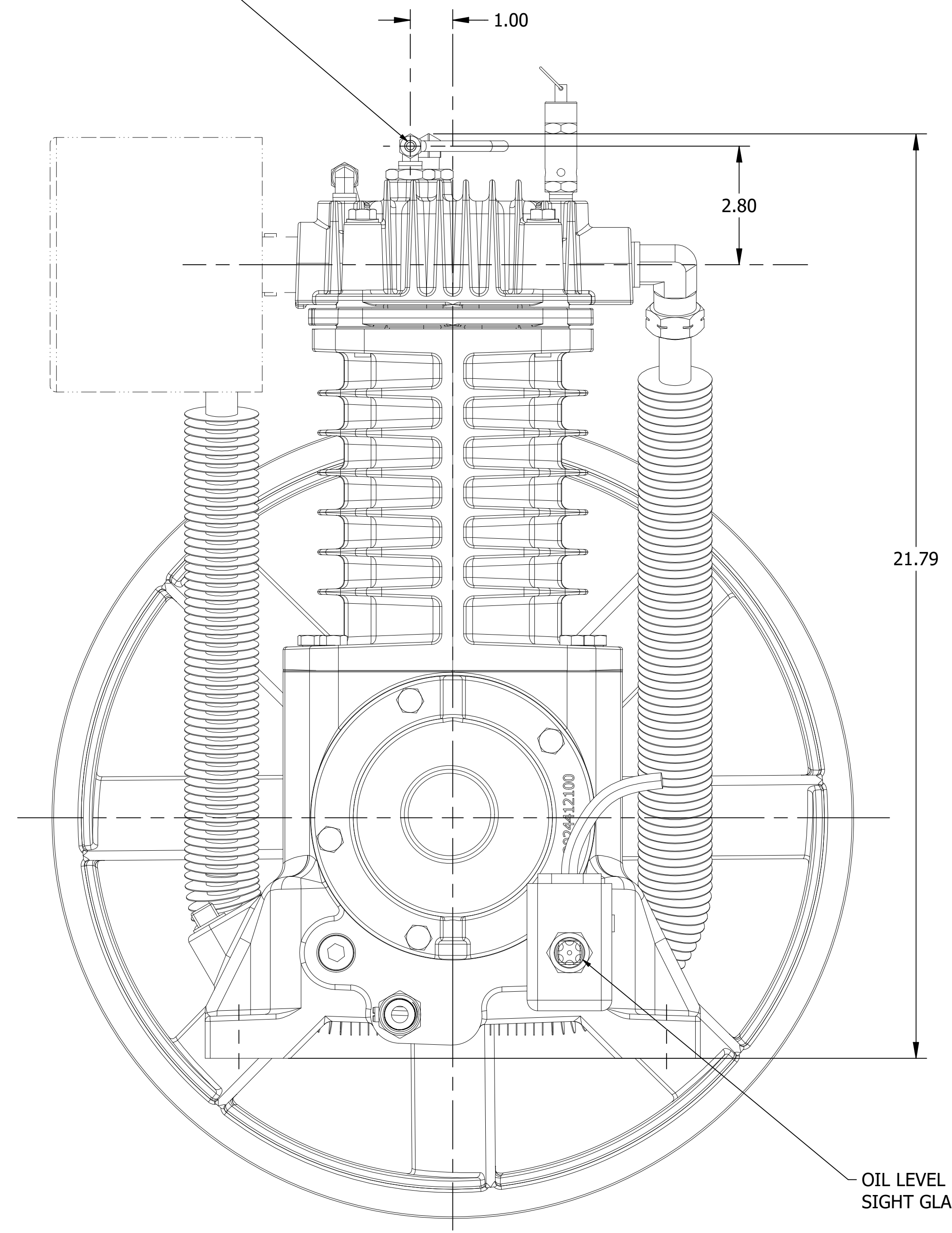
- NOTES**
- 1) ALL DIMENSIONS GIVEN IN INCHES
  - 2) QT-1 BASIC IS SPLASH LUBRICATED
  - 3) STANDARD WEIGHT (DRY): APPROX. 130 LBS
  - 4) SEE SHEET 2 FOR OPTIONAL HEAD UNLOADERS AND LOW OIL LEVEL SWITCH

Dimensions and tolerances in accordance with ASME Y14.5 M-1994 unless otherwise specified all dimensions are in inches primary.		Name DWG.DIMENSIONAL,QT-1,BASIC		Confidentiality Class acc. to 1102K Internal	
TOLERANCES ON ANGLES ±		Material Not Applicable		INV	
TOLERANCES ON 2 PLANES DIMS ±		Finish Not Applicable		Drawing owner UTY	
TOLERANCES ON 3 PLANES DIMS ±		Scale 1:2		Family	
FINISH ON MACHINED SURFACES ✓		Drawn by utywalker		Make From	
2020040302		Version Drwg		Blank wt. lb	
Parent 3D model		Ed. Version 3D		Fini wt. 130 lb	
Approved Internal		Des checked.		Date 22/03/2022	
Approved Internal		Prod checked.		Approved.	
Approved Internal		Approved.		Designation	
Approved Internal		Approved.		Sheet 1 / 2	
Approved Internal		Approved.		2020040302	

Ed	Position	Description	Date	Intr./Appd.
00		DRAWING RELEASED	03/22	BW



CONNECTION PORT TO HEAD UNLOADERS FOR 1/4" OD COPPER TUBE



CONFIDENTIAL: The disclosure of this information to any person or company, in any form, without the prior written consent of Quincy Compressor LLC is strictly prohibited.

Name		DWG.DIMENSIONAL,QT-1,BASIC			Confidentiality Class		1102K Internal		
Material		Not Applicable			INV		Drawing owner		
Finish		Not Applicable			UTY		Replaces		
Scale		1:2		Family		D		Similar to	
Drawn by		utywalker		Make From		Replaces		Designation	
Version Drwg		Blank wt.		lb		Fini wt.		130 lb	
Des checked.		Prod checked.		Approved.		Date		22/03/2022	
Parent 3D model		Ed . Version 3D		Approved Internal		2020040302		Sheet 2 / 2	