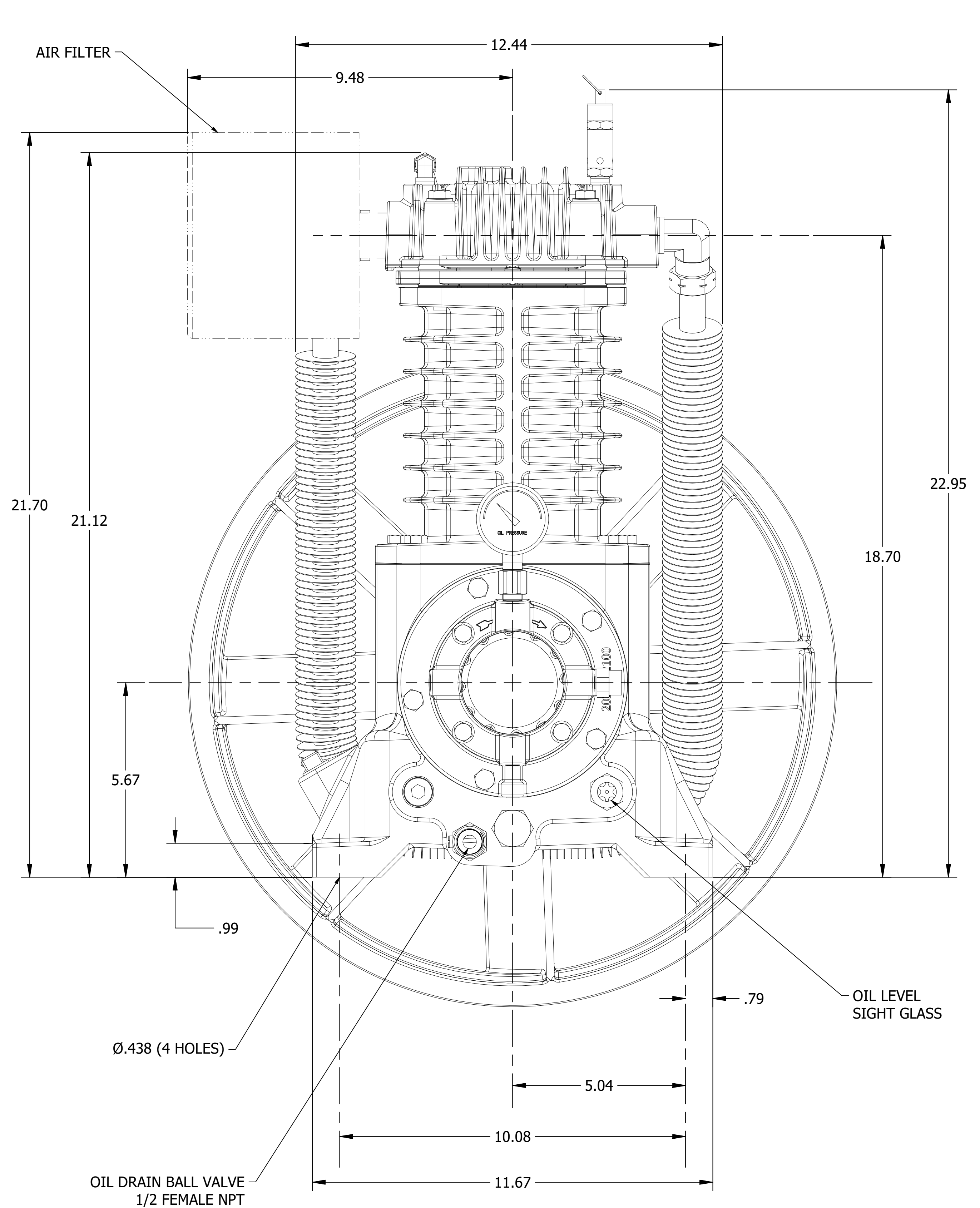
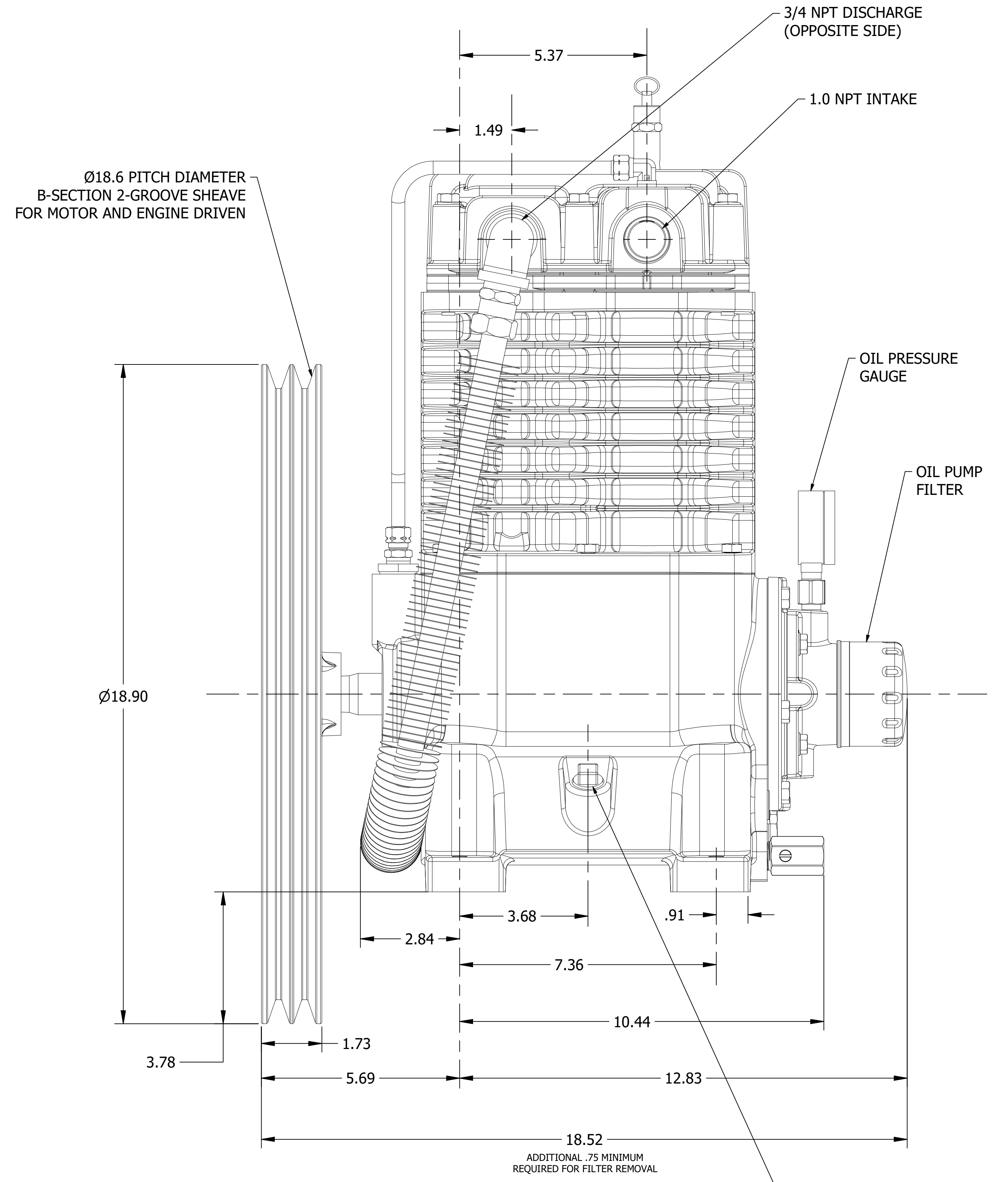


Ed	Position	Description	Date	Intr./Appd.
00		DRAWING RELEASED	03/22	BW



OIL FILL PLUG  
(FILL UNTIL OIL IS EVEN  
WITH BOTTOM OF OPENING)

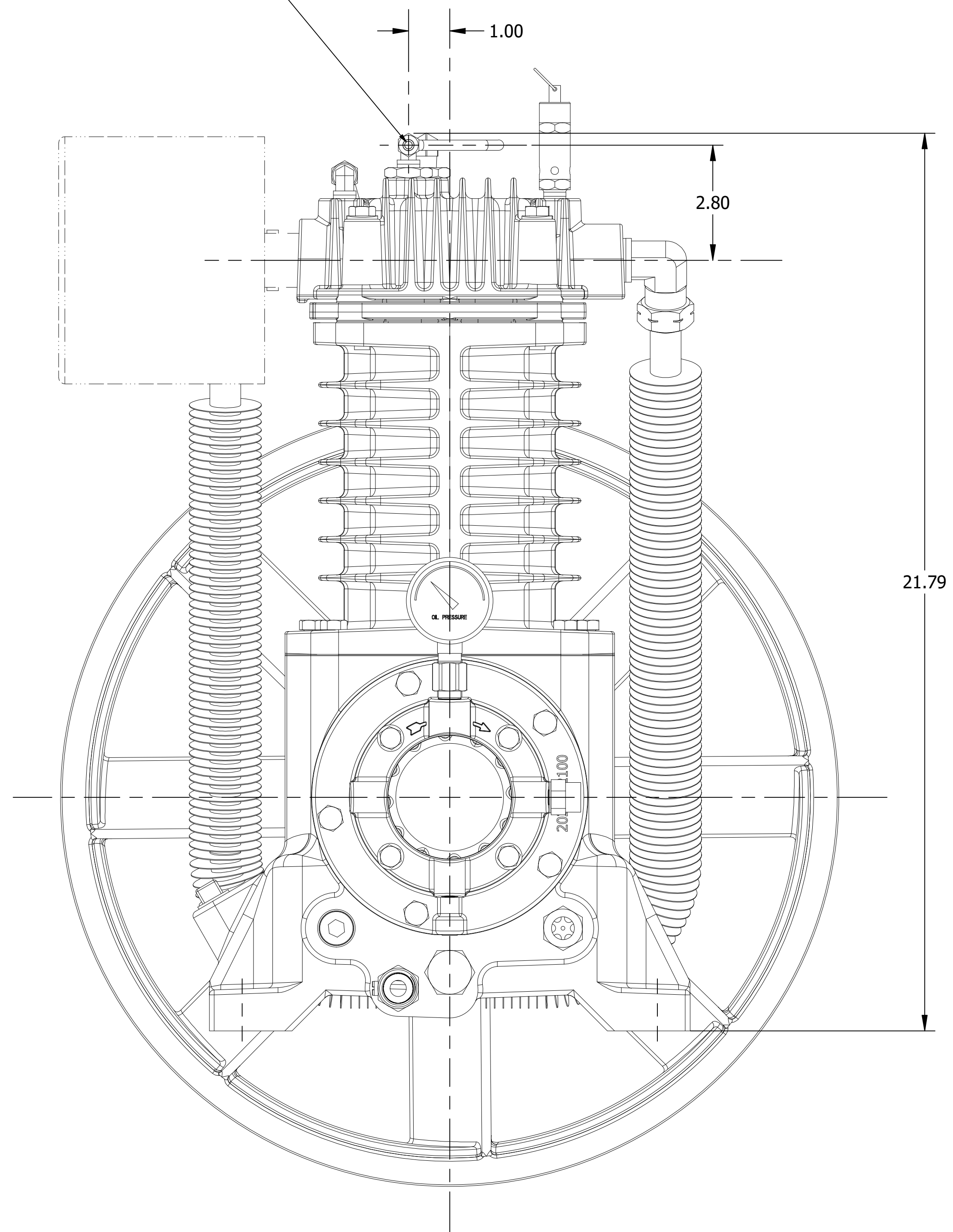
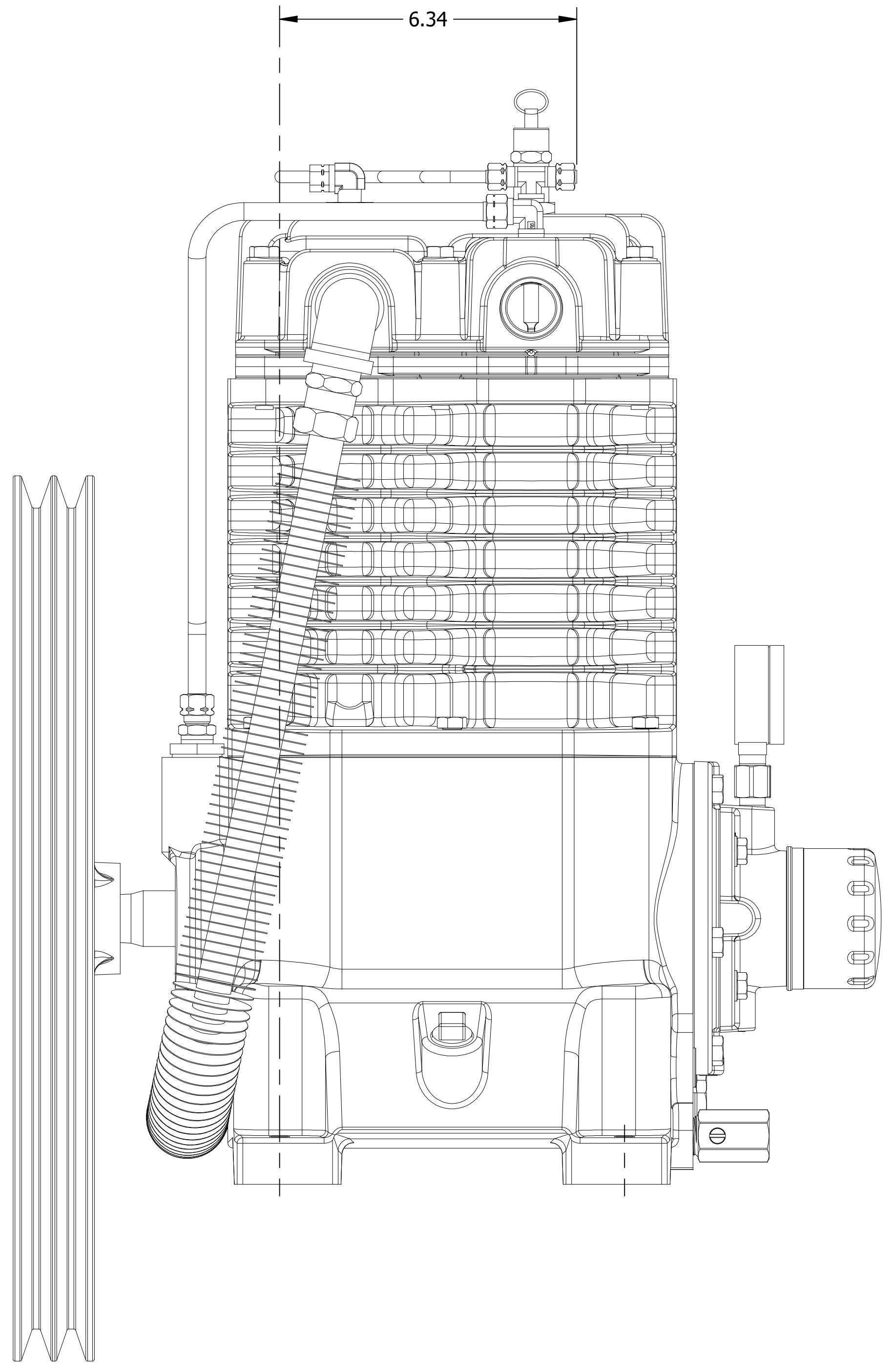
- NOTES
- 1) ALL DIMENSIONS GIVEN IN INCHES
  - 2) QP-1 BASIC IS PRESSURE LUBRICATED
  - 3) STANDARD WEIGHT (DRY): APPROX. 132 LBS
  - 4) SEE SHEET 2 FOR OPTIONAL HEAD UNLOADERS

Name DWG, DIMENSIONAL, QP-1, BASIC		Confidentiality Class acc. to 1102K Internal	
Material Not Applicable		INV	
Finish Not Applicable		Drawing owner UTY	
Scale 1:2	Family	Similar to	Replaces
Drawn by utywalker	Make From	Designation	
Version Drwg	Blank wt.	lb	Fini wt. 132 lb
2020040310	Des checked.	Prod checked.	Approved. Date 22/03/2022
Parent 3D model	Ed. Version 3D	Approved Internal	
2020040310			Sheet 1 / 2



Ed	Position	Description	Date	Intr./Appd.
00		DRAWING RELEASED	03/22	BW

CONNECTION PORT TO HEAD UNLOADERS  
FOR 1/4" OD COPPER TUBE



CONFIDENTIAL: This document is property of Quincy Compressor, LLC and shall not be used or reproduced without our written consent. It is intended for manufacturing or commercial use only and is not to be distributed to any other person or company.

Name		DWG.DIMENSIONAL,QP-1,BASIC			Confidentiality Class acc. to 1102K Internal	
Material		Not Applicable			INV	
Finish		Not Applicable			Drawing owner UTY	
Scale		1:2	Family	D	Similar to	Replaces
Drawn by		utywalker	Make From			
Version Drwg			Blank wt	lb	Fini wt	132 lb
Des checked.			Prod checked.	Approved.	Date	22/03/2022
Parent 3D model		Ed . Version 3D	Approved Internal			2020040310
						Sheet 2 / 2