

8

7

6

5

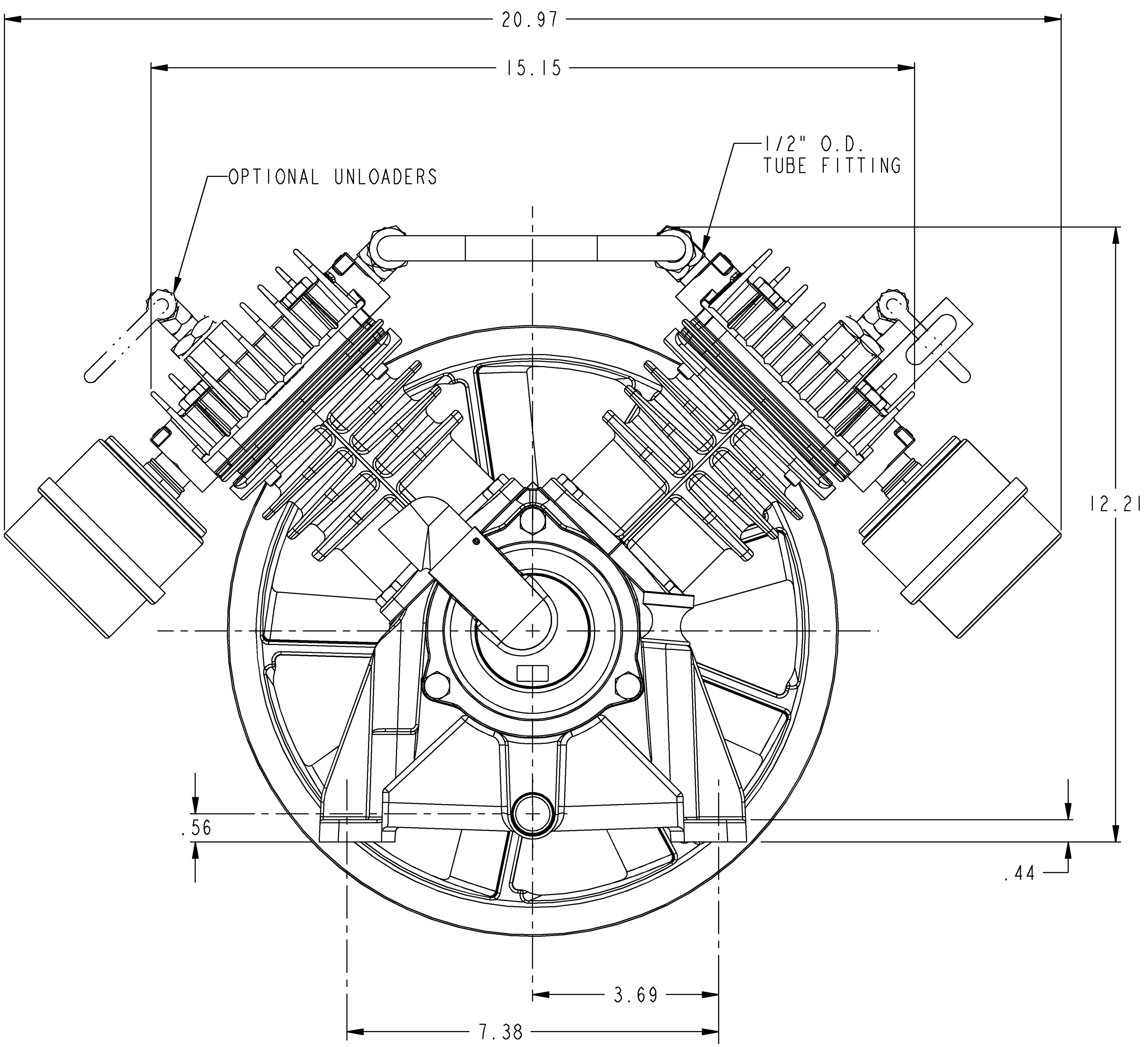
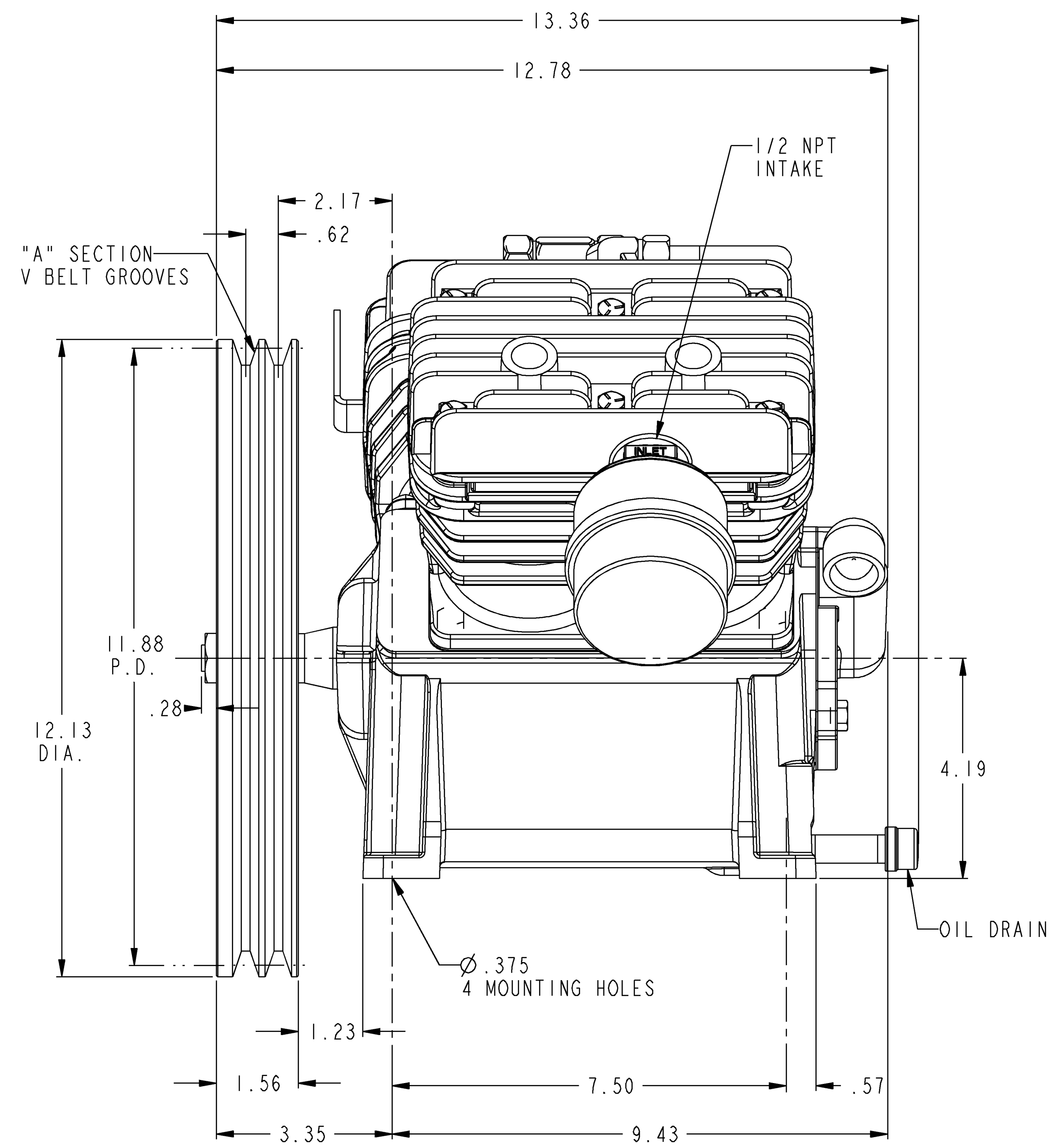
4

3

2

1

REVISIONS					
ZONE	SYM	DESCRIPTION	ECH NO	DATE	APPD
	A	RELEASE TO PRODUCTION	5072-18	12/00	SRW
C6	B1	DIMENSION WAS 13.21			
D4	B2	DIMENSION WAS 19.70			
D4	B3	DIMENSION WAS 15.21	5077-14	2/02	SRW
B2	B4	DIMENSION WAS 6.31			
C2	B5	DIMENSION WAS 12.15			
	C	CHANGED TO 2 GROOVE SHEAVE AND REDIMENSIONED	5085-69	5/05	GLH



NOTES - UNLESS OTHERWISE SPECIFIED:
 1) ALL DIMENSIONS ARE GIVEN IN INCHES.
 2) QTS-5 BASIC IS A SPLASH LUBRICATED COMPRESSOR.

REFERENCE ONLY UNLESS SIGNED AND DATED BELOW

CERTIFIED BY:
 DATE:

NAME	DATE
DR DES	11/00
CK	
APPD SRW	11/00
DATE ISSUED	
APPD BY	

**Quincy Compressor
Goodrich Corporation**
 3501 Western Lane
 Quincy, Illinois 62304-1257

TITLE
 DIMENSIONAL, BASIC (QTS-5)

THIS MATERIAL IS CONFIDENTIAL AND CONTAINS PROPRIETARY INFORMATION AND OTHER RIGHTS WHICH ARE THE SOLE AND EXCLUSIVE PROPERTY OF QUINCY COMPRESSOR. POSSESSION OF THIS MATERIAL DOES NOT CONVEY OR TRANSFER ANY RIGHTS THERE TO AND ANY REPRODUCTION, USE, COPYING, OR DISCLOSURE TO OTHERS IS FORBIDDEN WITHOUT THE PRIOR WRITTEN CONSENT OF AN OFFICER OF QUINCY COMPRESSOR.

SIZE DWG. NO. REV.
 D EDA1522 C
 SCALE 0.620 WT. 0.000 LBS SHEET 1 OF 1

8

7

6

5

4

3

2

1