

UniDrive

Single-Stage Oil Sealed Rotary Vane Vacuum Pump

UniDrive is a single-stage, oil-sealed rotary vane vacuum pump optimized for applications with high moisture content. Engineered with performance in mind, UniDrive offers unmatched reliability for industries such as food processing and packaging.



▶ **Integrated Oil Mist Filter**

High efficiency oil mist filters prevent oil vapor exhausting into the equipment space and smoking while also prolonging the service life.

▶ **Gas Ballast**

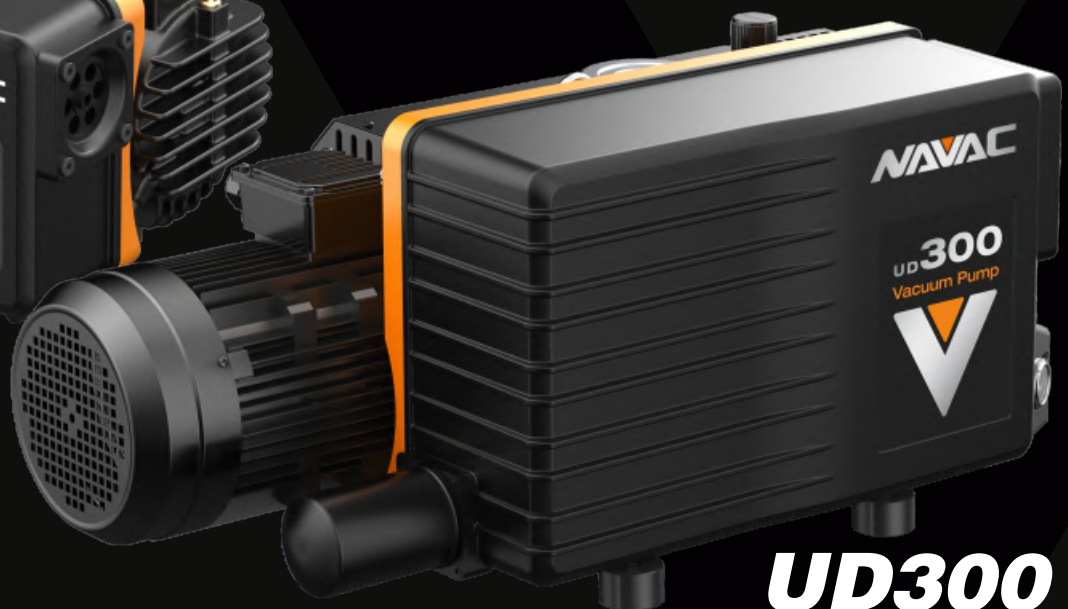
Adjustable gas ballast allows for the different requirements of condensable gas to be exhausted.

▶ **Proprietary Motor**

In-house designed and manufactured AC motor provides longevity and robust operation.



UD20



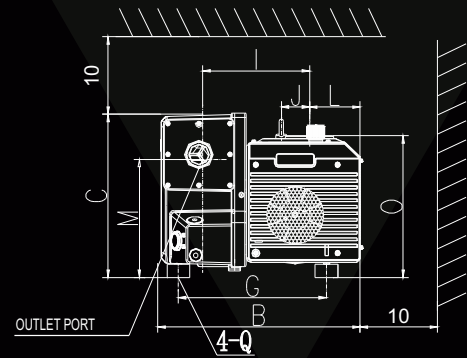
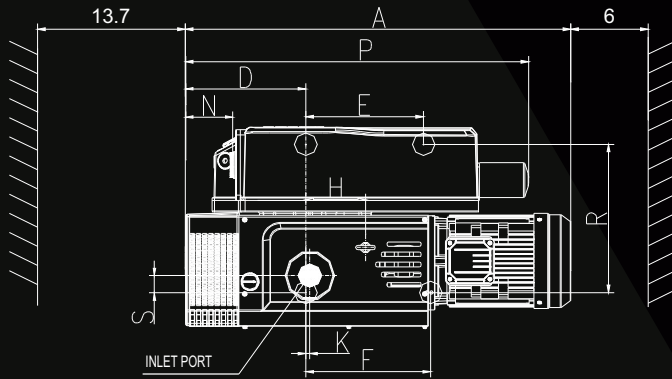
UD300

UniDrive

Single-Stage Oil Sealed Rotary Vane Vacuum Pump

SPEC		UD20	UD65	UD100	UD300
Pumping Speed (50/60Hz)	m ³ /h (CFM)	22 (13), 60Hz	55 (32) / 65 (38)	100 (59) /120 (71)	300 (177), 60Hz
Ultimate Pressure	w. Gas Ballast	mbar (Torr)	/	0.3 (0.22)80	0.1 (0.075)
	w. Gas Ballast I	mbar (Torr)	1.6 (1.2)	0.5 (0.37)	0.2 (0.15)
	w. Gas Ballast II	mbar (Torr)	/	2 (1.5)	1 (0.75)
Water Vapor Tolerance	w. Gas Ballast I	mbar (Torr)	15 (11)	15 (11.3)	30 (22.5)
	w. Gas Ballast II	mbar (Torr)	/	30 (22.5)	50 (37.5)
Power Supply		Single Phase	Three Phase	Three Phase	Three Phase
Power Rating	kW	1.6	1.5	3	7.5
IP Level		IP54	IP54	IP54	IP54
Motor Speed (50/60Hz)	rpm	3440 (60Hz)	1440/1720	1440/1720	1440/1720
Inlet/Outlet		G1/2" G3/4"/-	G1-1/4"/G1-1/4"	G1-1/4"/G1-1/4"	G2"/G2"
Oil Capacity	L	0.45	2.5	2.5	8
Noise Level (50/60Hz)	dB	≤70.5 (60Hz)	≤65/67	≤65/67	≤79(60Hz)
Weight	lbs	43	93.7	158.7	474
Dimensions (L*W*H)	in	12.5x9.8x8.6	21.8x12.2x10.6	27.7x16x11.3	40.7x21.2x17.1

Dimensions



Unit: inch

Model	A	B	C	D	E	F	G	H	I	J	K	L	M	N	O	P	Q	R	S	Inlet	Outlet
UD20	12.5	9.8	8.6	3	5.5	4.3	5.2	/	5	/	0.6	2.8	6.2	0.8	7.2	11.8	M8	4.8	0.2	G1/2" G3/4"	/
UD65	21.8	12.2	10.6	5.9	8.5	7.8	10	2.3	7.4	2	0.2	2.8	8	1.3	9.9	18.3	M8	9.5	1.3	G1-1/4"	G1-1/4"
UD100	27.7	16	11.3	6.5	8.9	8.9	12.6	5.2	8.9	1.7	1.1	3.6	8.7	2.4	11	22.8	M10	10.2	1.6	G1-1/4"	G1-1/4"
UD300	40.7	21.3	17.1	12.8	12.3	13	15.5	16.3	11.2	3	0.4	5.3	12.4	5.2	14.8	38	M10	15.5	1.8	G2"	G2"