

BoostDrive

High-Speed Roots-Style Vacuum Blower

BoostDrive is a high-speed roots-style blower designed to enhance your backing pump in a compact design. With performance in mind, pump downtime is decreased while optimizing ultimate vacuum pressure. This unique design makes it an excellent choice for various industries including chemical processing, pharmaceutical manufacturing, and semi-conductor coating.



▶ **Performance**

With pumping speed up to 600 m³/h, this roots-style blower will outperform pumps twice its size.

▶ **Compact Design**

As one of the most innovative designs, this dry roots-style blower delivers fast pumping speed in an ultra compact package.

▶ **System Flexibility**

Designed with flexibility in mind, this roots-style blower can be paired with a backing pump to optimize pumping efficiency.



BD100

BD600

BoostDrive

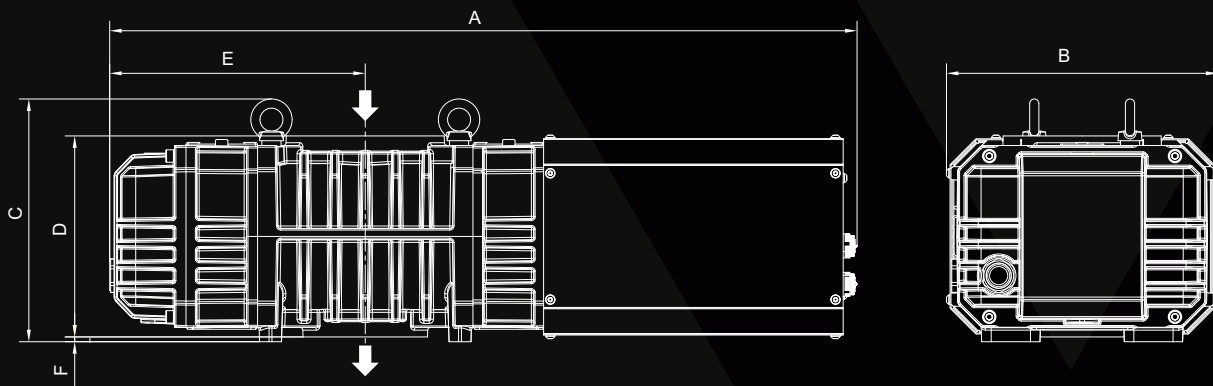
High-Speed Roots-Style Vacuum Blower

BD100

BD600

SPEC		BD100	BD600
Pumping Speed (60Hz)	m ³ /h (CFM)	190 (112)	720 (424)
Ultimate Pressure	mbar (Torr)	3.0x10 ⁻⁴ (2.3x10 ⁻⁴)	3.0x10 ⁻⁴ (2.3x10 ⁻⁴)
Max. Permissible Pressure Difference (60Hz)	mbar (Torr)	40 (30)	80 (60)
Backing Pump (Recommended)	/	DD48	UD100
Power Supply	/	200-230V/60Hz	460V/60Hz
Power Rating	kW	0.37	1.5
Oil Viscosity	/	100	100
Inlet	mm	VG 50	DN 100
Outlet	mm	VF 50	DN 63
Noise	dB(A)	62	63
Weight	lbs	50.7	218
Dimensions (L*W*H)	in	19.4x8.3x6.3	30.7x11.2x10

Dimensions



Unit: inch

Model	A	B	C	D	E	F	Inlet	Outlet
BD100	19.4	8.3	6.3	/	6.5	/	VG 50	VF 50
BD600	30.7	11.2	10	8.3	10.5	0.2	DN 100	DN 63