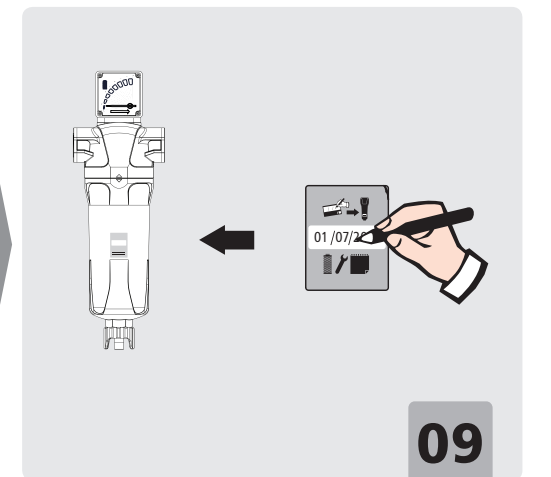
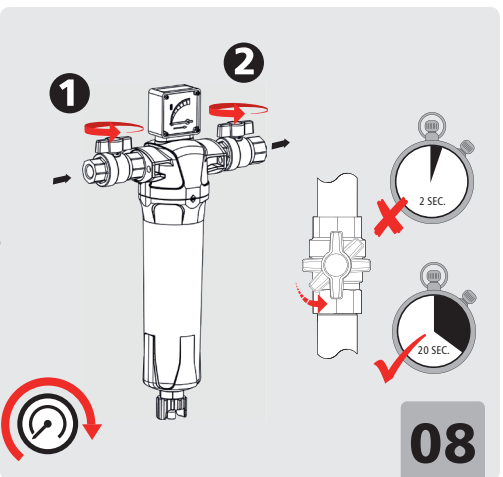
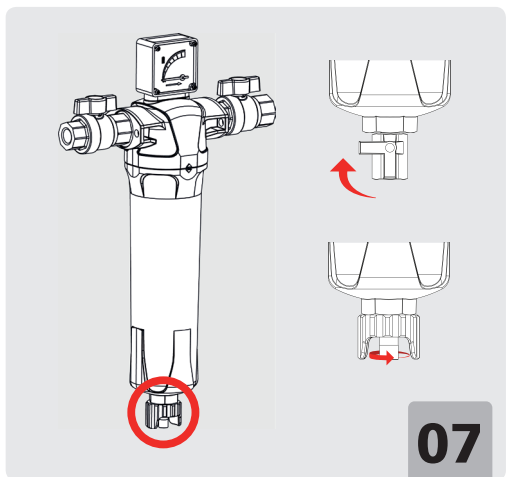
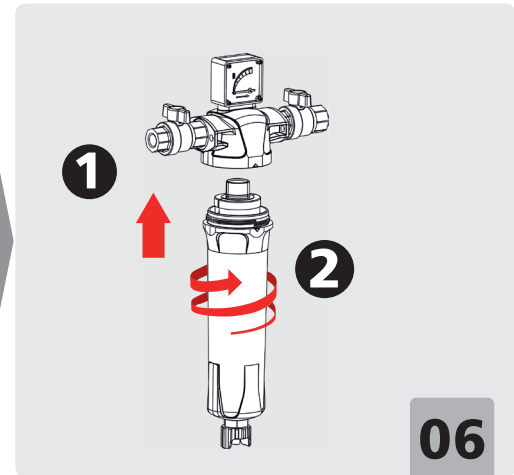
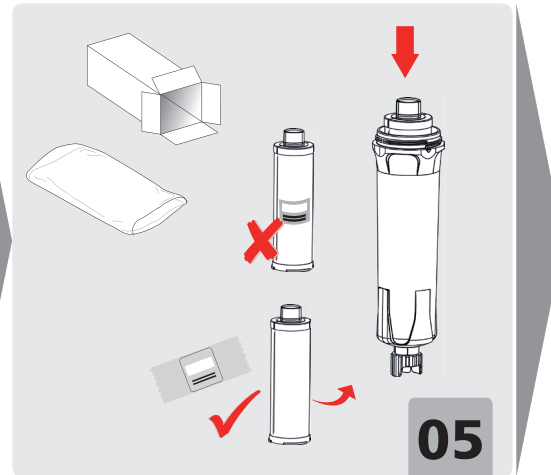
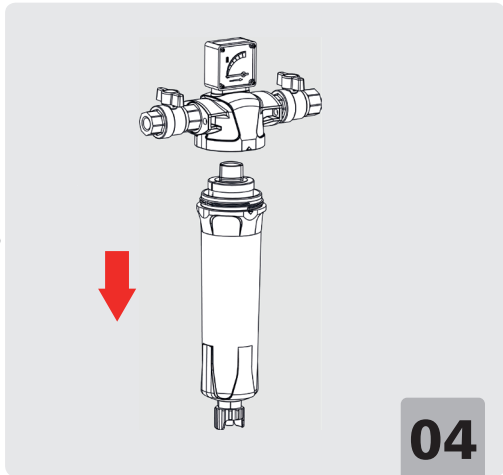
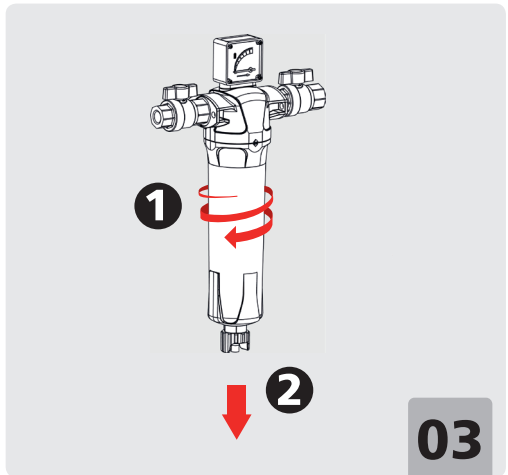
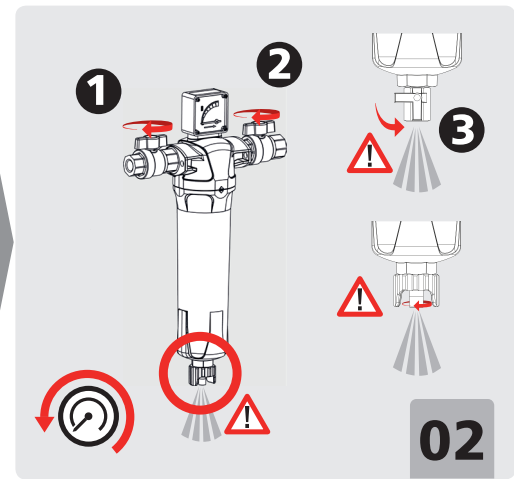
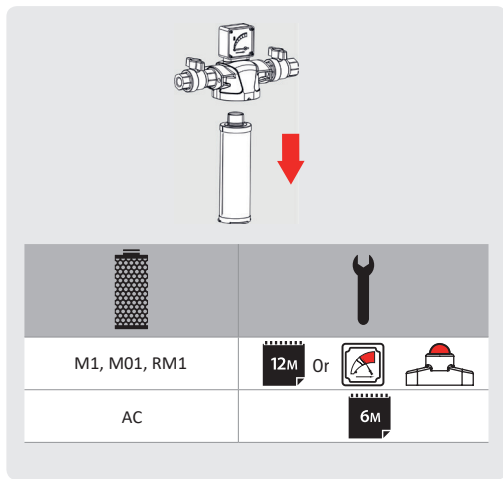




9827 9000 40
04 1593 001 01 Ra



Certificate of Conformity

The Manufacturer certifies that the element(s) supplied with this declaration, when tested at rated flow in accordance with the established protocols in the ISO 12500 series of standards, meet the following ISO 8573-1 specifications.

Filter Model	Particle quality class	Oil quality class
	ISO 8573:1-2010	ISO 8573:1-2010
Grade M1	Class 3	Class 3
Grade M01	Class 2	Class 2
Grade AC	-	Class 1
Grade RM1	Class 3	-

The table above is for general guidance only. Depending upon application air quality and contamination, a combination of filter grades may be necessary to meet the required quality class. AC grade filters should be preceded by suitable coalescing filters. Please contact us for further information.

Manufactured in the UK, in an ISO9001 accredited facility.