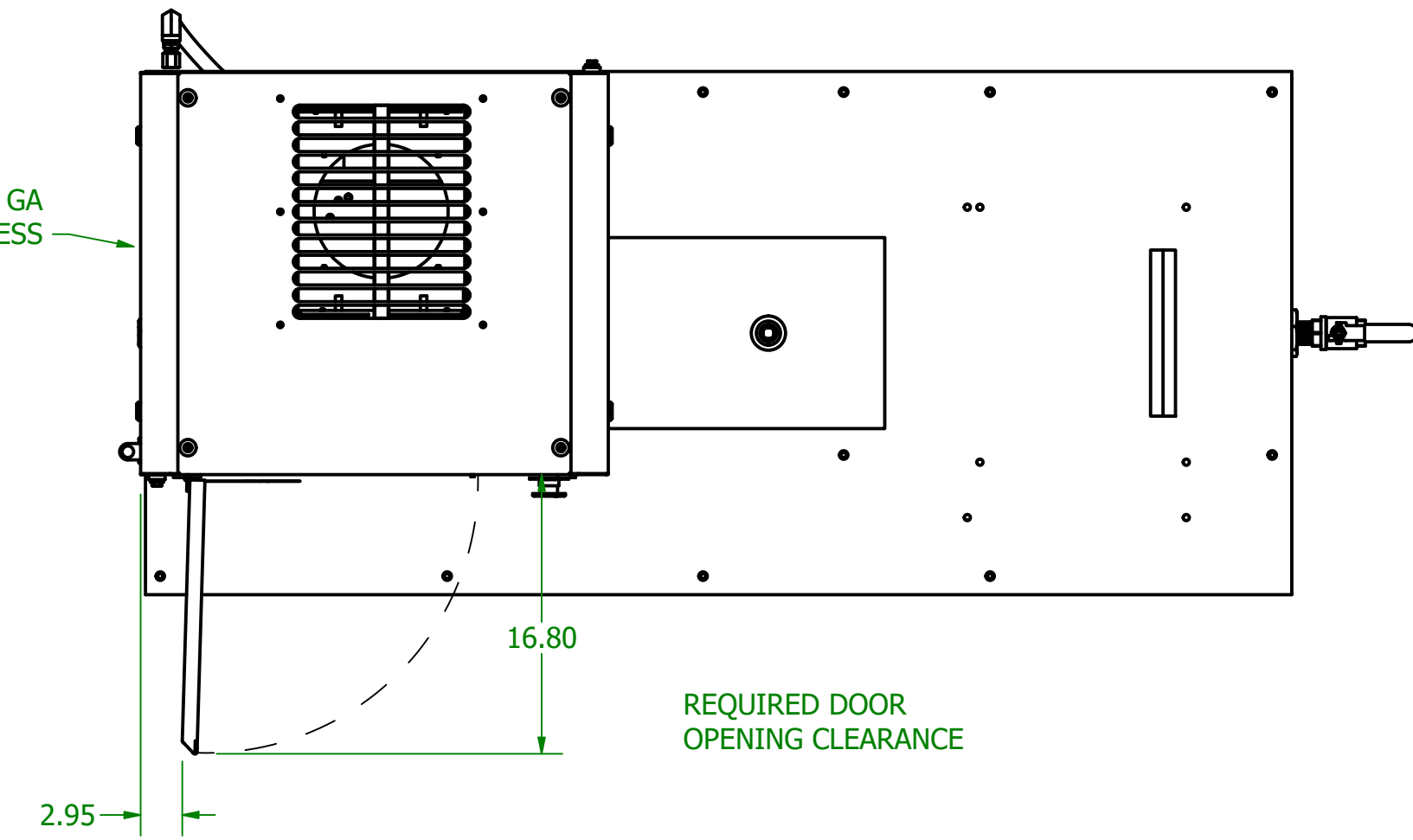
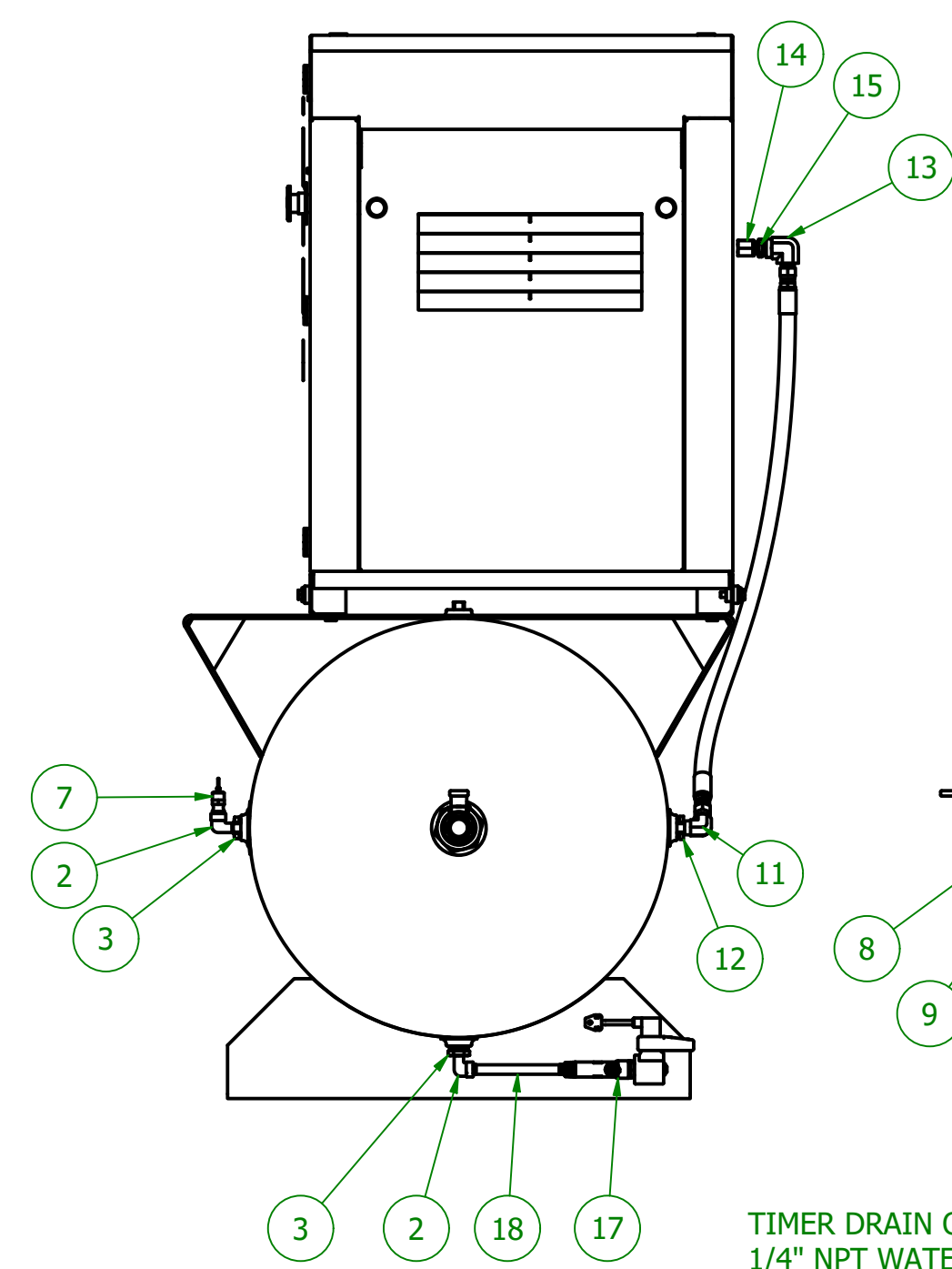
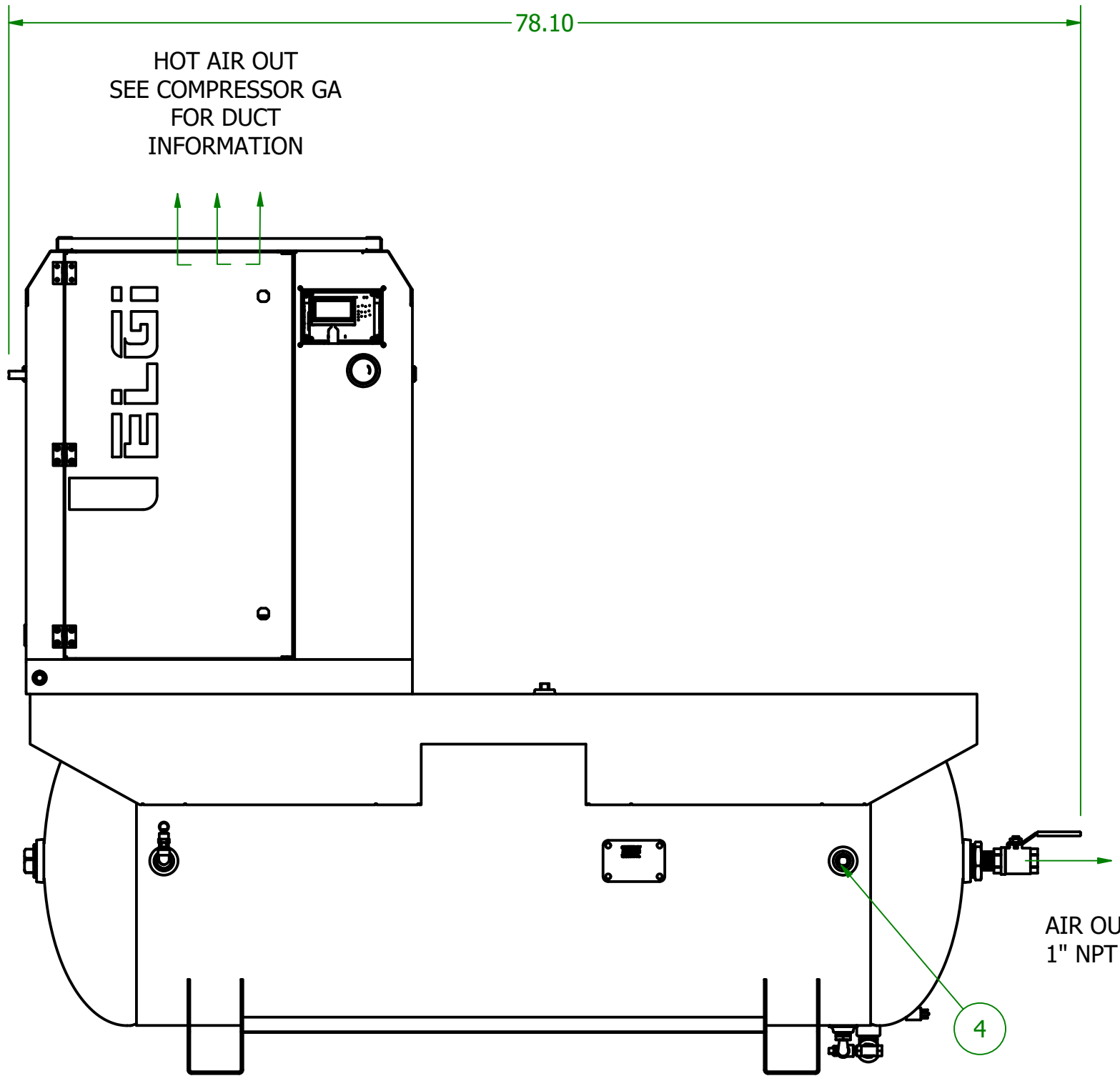


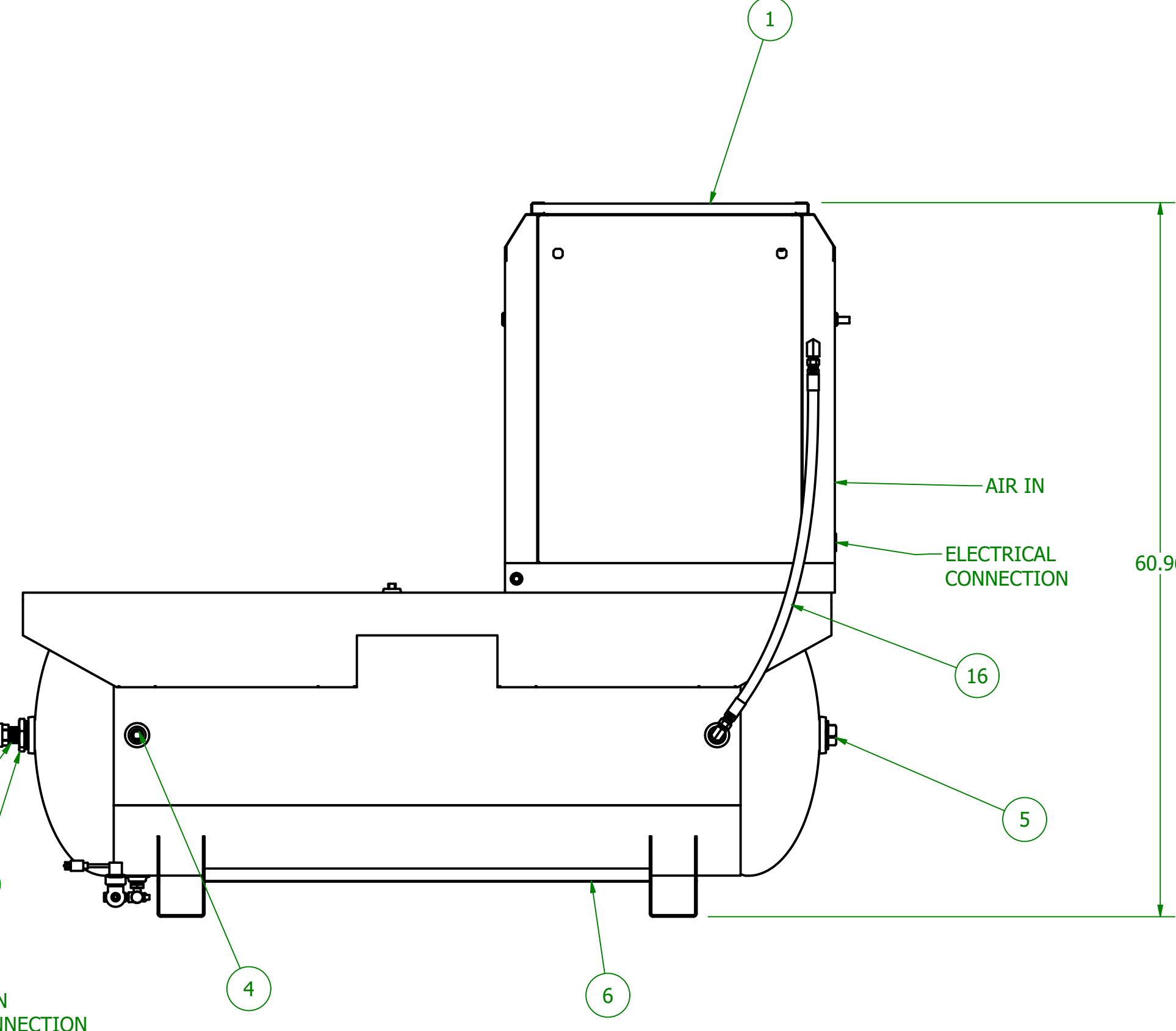
SEE COMPRESSOR GA FOR SERVICE ACCESS DOOR DETAILS



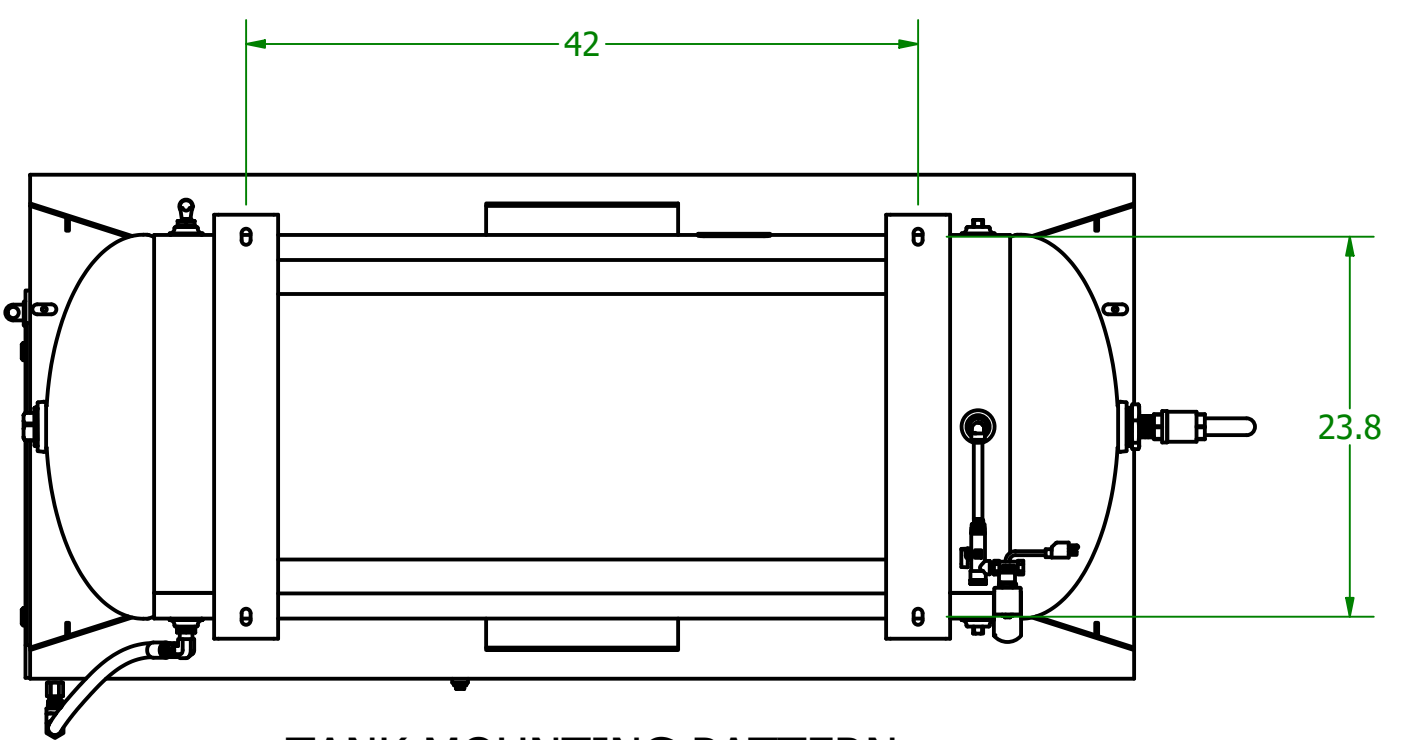
REQUIRED DOOR OPENING CLEARANCE



TIMER DRAIN OPTION
1/4" NPT WATER CONNECTION
ELECTRICAL REQUIREMENT 115V
NEMA 5-15p PLUG AND 5ft CORD PROVIDED



ZERO LOSS DRAIN OPTION
BARBED HOSE WATER CONNECTION
ELECTRICAL REQUIREMENT 115V
NEMA 5-15p PLUG AND 5ft CORD PROVIDED



TANK MOUNTING PATTERN
1/2" BOLTS

BILL OF MATERIALS			
ITEM	QTY	PART NUMBER	DESCRIPTION
1	1	G_EN53 V3	EN03-EN05 Screw Compressor Assembly
2	2	15-03-031	Fitting, SS Street Elbow 1/4"
3	3	15-03-158	SS Bushing, 1/4" x 3/4"
4	3	15-03-304	SS Plug, 3/4" Squarehead
5	1	15-03-308	SS 2" Squarehead Plug
6	1	TANK-120H-V3	120 Gallon Horiz. Tank V3 Top
7	1	13-06-022	1/4" NPT 200PSI Safety Valve
8	1	13-01-005	Valve, Ball 1" Full Port WOG
9	1	14-13-081	Nipple, SS Pipe 1" x Close
10	1	15-03-192	Bush St St 2" x 1"
11	1	15-01-048	Elbow, .50 NPT x .50 JIC
12	1	15-03-175	Bushing St Steel 3/4" x 1/2"
13	1	15-01-047	Elbow, 1/2 NPT F x 1/2 JIC
14	1	015403337	Adapter, 3/8" BSPT X 3/8" NPT
15	1	15-03-166	Bushing, StSt, .50 x .38
16	1	ASM-HOSE-12-42	1/2" HOSE ASSEMBLY
17	1	13-07-001-001	Timer Drain
18	1	14-13-006	Nipple, SS Pipe 1/4" x 6"

OPTIONAL ZERO LOSS DRAIN BOM			
ITEM	QTY	PART NUMBER	DESCRIPTION
21	2	14-13-041	Nipple, StSt 1/2" NPT x Close
22	1	15-03-175	Bushing St Steel 3/4" x 1/2"
23	1	15-03-033	Street Elbow StSt 1/2" NPT
24	1	13-01-003	Valve, Ball 1/2" Full Port WOG
25	1	14-13-044	Nipple, Stainless Steel, 1/2" x 4
26	1	15-03-003	SS Elbow 1/2" NPT
27	1	EZL 10 (B070007000051)	ZERO LOSS DRAIN

NOTES:

1. MINIMAL 36" CLEARANCE REQUIRED IN FRONT OF CONTROL PANEL FOR MAINTENANCE AND VENTILATION. ALL OTHER SIDES 24" MINIMUM.

ALL DIMENSIONS ARE IN INCHES UNLESS OTHERWISE SPECIFIED. All information contained in this document is CONFIDENTIAL and the property of ELGI Compressors USA, Inc. Reproduction of these in any form should only be done with the specific permission of the company.

MODEL :		ELGI Compressor USA, Inc. Charlotte, NC	
MATERIAL :		GENERAL ASSEMBLY EN03-EN05 VER. 3 TANK MOUNT NO DRYER (A2)	
WEIGHT : 211.917 kg		REF. DRG. No. NEXT ASSY.	
CAD	JLM	DATE	4/22/2022
CHECKED	AKB	DATE	9/13/2022
APPROVED		SCALE	DRG. No. EN03-EN05-xxxx-120T-A2
		DRG. SHEET 1 OF 1 REVISION 1	

DO NOT SCALE THIS DRG IF IN DOUBT, ASK ENG DEPT