



DRYTEC AMERICA

Taking Air Treatment to New Heights

DON-US SERIES COMPRESSED AIR FILTERS

4921 Ohio Street Michigan City,
IN 46360
219-878-1550

DRYTEC AMERICA

DRYTEC AMERICA

Compressed Air Filters

DON-US Series

Drytec America, which constantly develops products beyond expectations and needs, has recently begun manufacturing the brand new DON-US Series Industrial Air Filters for compressed air users to acquire high efficiency filtration experience at the lowest pressure drops.

The new DON-US Series have more port sizes and offer a reliable performance by minimizing airborne contamination in Compressed Air Systems offering protection of your downstream equipment and manufactured product.

With the DON-US Series, the compressed air users will have the opportunity to replace the inner element and assemble the filter in any compressed air unit extremely easily by means of an innovative design concept which basically puts its unique “**Zero Clearance**” feature forward.

The DON-US Series are incredibly economical and also manufactured according to **ISO 8573** standards along with its eligibility for PED due to their sustainable and durable structure which is formed with aluminium construction.

Features

- 20 cfm - 700 cfm air flow range
- NPT/BSP pipe sizes ranging from ¼” to 4”
- Aluminum construction without any pores
- Zero Clearance
- Corrosion Resistant
- Production in accordance with ISO8573
- Differential Pressure Gauge
- Lock System Indicator

Options

- “Standard Drain” having ½” connection size
- “Drainless” having ½ connection size with adapter
- Elegantly designed connection clips and wall apparatus



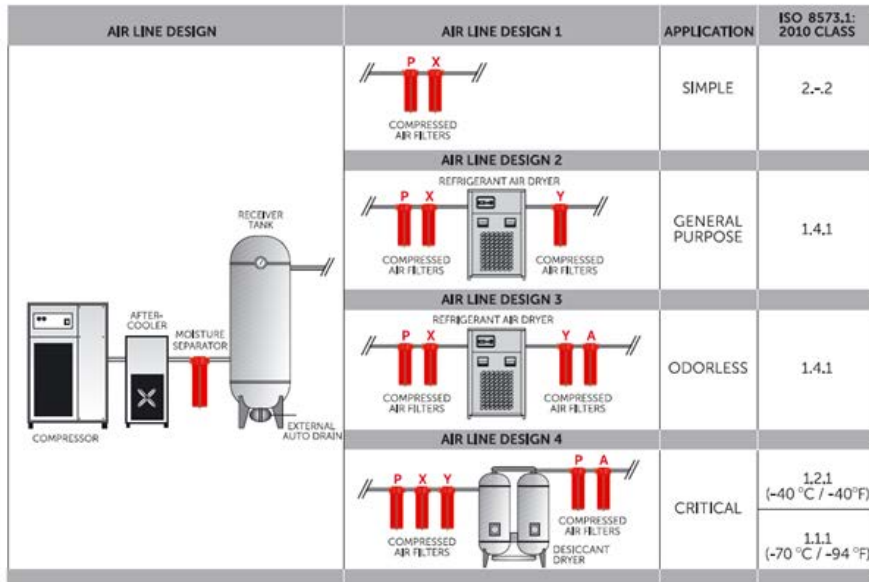
14 Models Between 20
cfm - 700 cfm



Zero Clearance

Zero Clearance Feature allows easy filter replacement and compact installation. A major innovation for servicing the zero clearance design gives a quicker, easier, simpler filter change, with no need for any special tools.

DON-US Series



Purity Class	ISO 8573.1: 2010 Compressed Air Quality Standard							
	Solid Particulate				Water		Oil	
	Max. number of Particles per m ³			Particle Size (micron)	Concentration (mg/m ³)	Vapor Pressure Dew Point	Liquid (g/m ³)	Total Oil (Aerosol, Liquid and Vapor) (mg/m ³)
	0.1-0.5 micron	0.5-1 micron	1-5 micron					
0	As specified and determined by equipment user and supplier							
1	≤20000	≤400	≤10	-	-	≤-70°C	-	≤0.01
2	≤400000	≤6000	≤100	-	-	≤-40°C	-	≤0.1
3	-	≤900000	≤1000	-	-	≤-20°C	-	≤1
4	-	-	≤10000	-	-	≤+3°C	-	≤5
5	-	-	≤100000	-	-	≤+7°C	-	-
6	-	-	-	5	5	≤+10°C	-	-
7	-	-	-	40	10	-	0.5	-
8	-	-	-	-	-	-	5	-
9	-	-	-	-	-	-	10	-

for Solid Particles	for Water	for Oil
Element Type P - Class 3	Drytec America Refrigerated Air Dryers are Class 4	Element Type P - Class 3
Element Type X - Class 2		Element Type X - Class 2
Element Type Y - Class 1	Drytec America Desiccant Air Dryers are Class 1 and 2	Element Type Y - Class 1
Element Type A - N/A		Element Type A - Class 1 (when used with Y)

DON-US Series

Element Features

Drytec America offers Superior Protection - from 1 micron to 0.01 micron. Durable element construction and efficient drain layer ensures continued performance with optimal element change intervals. Elements are also easy to replace with the plastic handles

Drytec America Elements Have Been Designed for Easy Handling

- 1- Depth media construction offers higher coalescing performance.
- 2- Supreme collapse resistance due to usage of fluted stainless tube, providing strength against pressure drops while improving the performance by passing air diagonally through the element.
- 3- PVC impregnated foam favors water/oil drainage.



Element Advantages

- High energy efficiency due to low pressure drops
- Durability under high pressure conditions (290 psi)
- 4 different ranges of filtration efficiency which offers an opportunity to operate at various different filtration applications.
- High filtration capacity, which can target the smallest contaminants (0.01 micron and above) at 290 psi pressure.
- Minimization of valuable compressed air loss with Zero-Loss Drain option
- Third Party tested

Head Clamping

Head Clamping provides serial connection of filters without any extra piping, connection clamps are used for connecting multiple filters to each other. Wall mounting clamps are used to connect the filters to the wall easily.

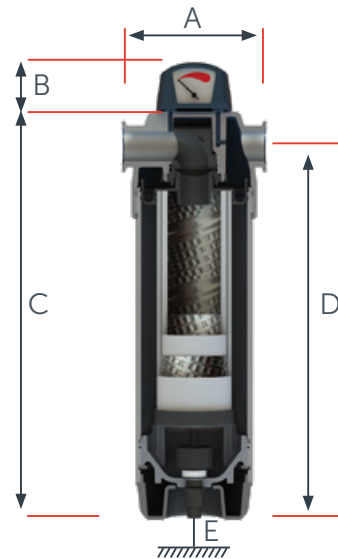


DON-US Series

Correction Factor

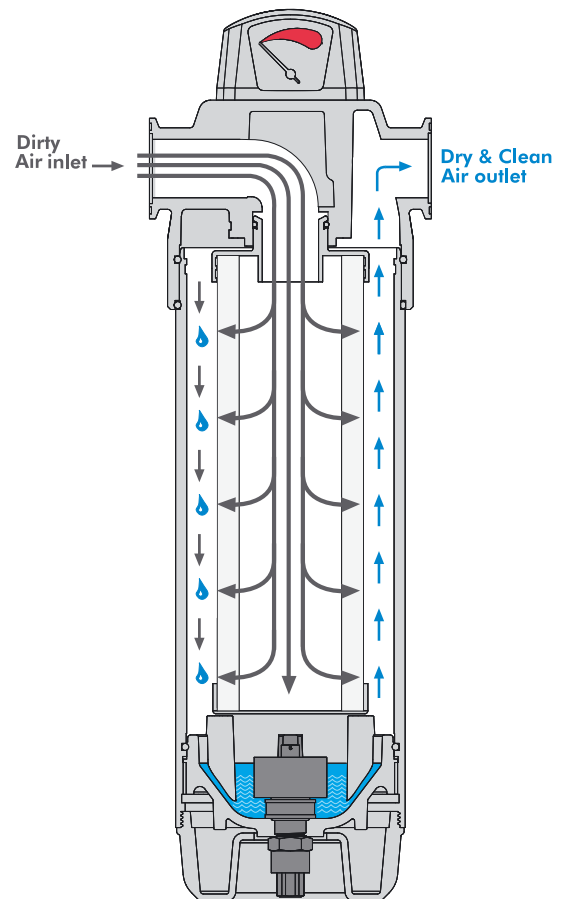
For maximum flow rate of the filter model, multiply model flow rate shown in the below table by the correction factor corresponding to the working pressure.

Operating Pressure (bar)	PSI	Correction Factor
1	15	0.5
3	44	0.71
5	73	0.87
7	100	1
9	131	1.12
11	160	1.22
13	189	1.32
15	218	1.43
16	232	1.50
18	261	1.57
20	290	1.63



Zero Clearance

A major innovation is the use of a zero clearance design. Provides for a simple element change without usage of tools.



Anodising

Anodising provides supreme corrosion resistance. Anodised surface treatment is proven to be better than other surface treatment methods such as Alocrome coating. Contact Drytec America to get comparison test results between competitor filters with Alocrome coating and Drytec America filters with anodising treatment.

Options

- Drains: Automatic / Manuel / Zero Loss
- Indicator or No indicator
- O-rings: Viton

Alternative Filters

- "S" Grade: Sterile Filter
- "H" Grade: Hopcalite Filter
- "T" Grade: 25 micron Coarse Dust Filter
- "HT" Grade: High Temperature Filters

The reliability of DON Series is guaranteed by the results obtained from "Third Party Tests" which is renowned worldwide in the Compressed Air Industry.

Technical Specifications

Model	Connection size (NPT)			Flow Rate		Max. Working Pressure (psi)	Element Model	Housing Dimensions (inch)				
				(cfm)	(m ³ /h)			A	B	C	D	E
DON-US-20	1/4"	3/8"	1/2"	20	35	290	MON-US-20	4	1	8	8	1
DON-US-32	1/4"	3/8"	1/2"	32	55	290	MON-US-32	4	1	10	9	1
DON-US-40	3/8"	1/2"		40	70	290	MON-US-40	5	2	11	10	1
DON-US-60	3/8"	1/2"		60	100	290	MON-US-60	5	2	12	11	1
DON-US-75	3/8"	1/2"		75	125	290	MON-US-75	5	2	14	13	1
DON-US-90	3/4"	1"		90	150	290	MON-US-90	6	2	15	13	1
DON-US-130	3/4"	1"		130	225	290	MON-US-130	6	2	16	14	1
DON-US-175	1"	1-1/4"	1-1/2"	175	300	290	MON-US-175	6	2	19	17	1
DON-US-235	1-1/4"	1-1/2"		235	400	290	MON-US-235	6	2	22	21	1
DON-US-295	1-1/4"	1-1/2"	2"	295	500	290	MON-US-295	6	2	20	18	1
DON-US-350	1-1/2"	1-1/2"	2"	350	600	290	MON-US-350	6	2	25	23	1
DON-US-470	1-1/4"	1-1/2"	2"	470	800	290	MON-US-470	6	2	27	26	1
DON-US-590	1-1/4"	1-1/2"	2"	590	1000	290	MON-US-590	6	2	34	32	1
DON-US-700	1-1/4"	1-1/2"	2"	700	1200	290	MON-US-700	6	2	38	37	1

Specifications	Pre Filtering	General Purpose	Oil Removal	Activated Carbon	Indicator Type
Grade	P	X	Y	A	Differential Pressure Gauge
Particle Removal (Micron)	5	1	0.01	0.01	Drain Type
Max. Oil Carryover at 70°F (ppm)	5	0.5	0.01	0.003	
Max. Recommended Temperature (°F)	176	176	176	122	Electro-Adjustable
Initial Pressure Loss (psi)	0.6	1.1	1.45	1.1	External Float Type
Pressure Loss for Element Change (psi)	10	10	10	10	Zero-Loss Drain
Element Color Mode	White	White	White	Metal SS	Manual

For 0.003 ppm quality oil in the air, the inlet temperature should be 77°F.

Notes

- 1) Flows stated are at 100 psi pressure with reference to 68°F and 15 psi atmospheric air suction as per ISO 7183. In order to calculate the flow capacities at other pressures please refer to the correction factor table.
- 2) Grade A must not operate in oil saturated conditions.
- 3) Grades P, X and Y elements need to be replaced periodically to suit applications but must be changed at least every 8000 hours.
- 4) Grade A elements should be replaced periodically to suit the applications but must be changed at least every six months.
- 5) Grade A will not remove certain gases including carbon monoxide and carbon dioxide.
- 6) Flow rates are based on a 100 psi operating pressure, for flows at other pressures use correction factor given above.
- 7) All filters are suitable for use with mineral and synthetic oils.
- 8) Gauge type pressure indicators are fitted to all models as standard except Activated Carbon Filters.
- 9) All filters are in conformity with the 2014/68/EU Pressure Equipment Directive.

Ordering

The complete filter model number contains the size and grade, example – DON-US-90 1"X represents 90 cfm capacity and 1" connection general purpose filter model with replacement filter element model X.

