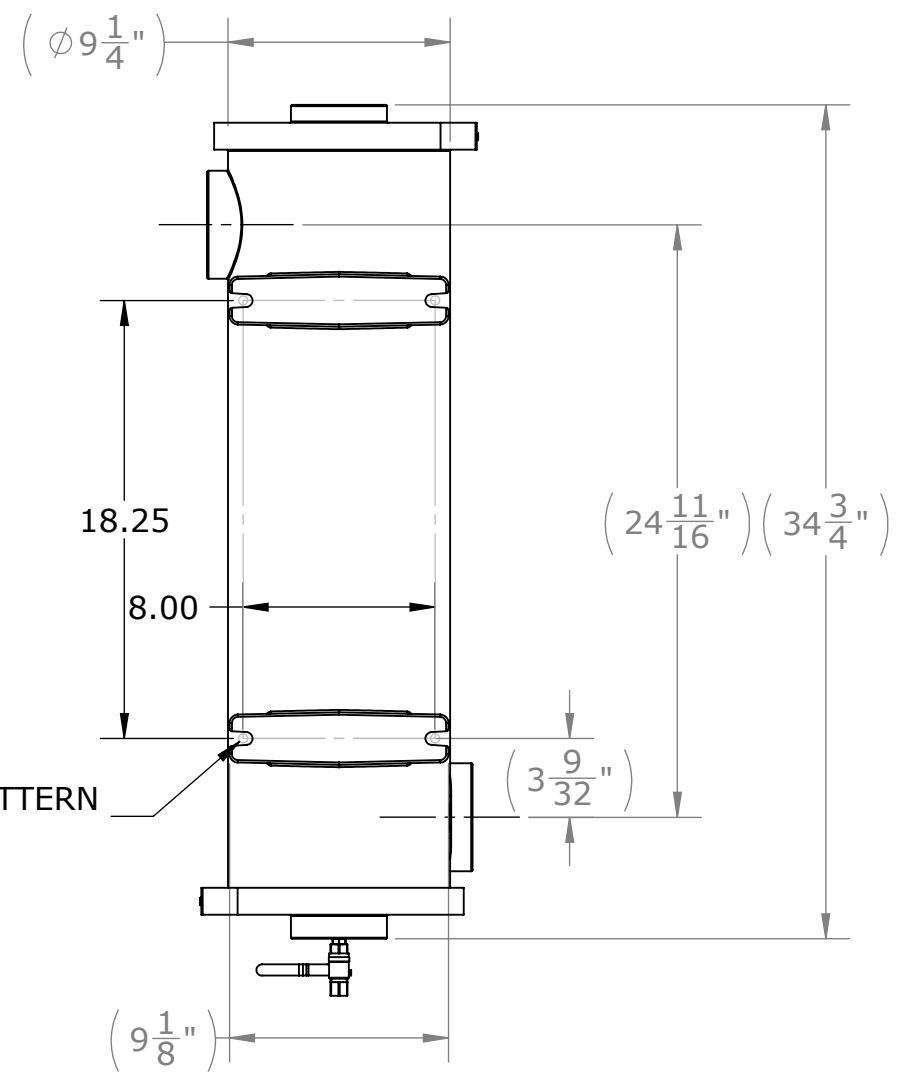
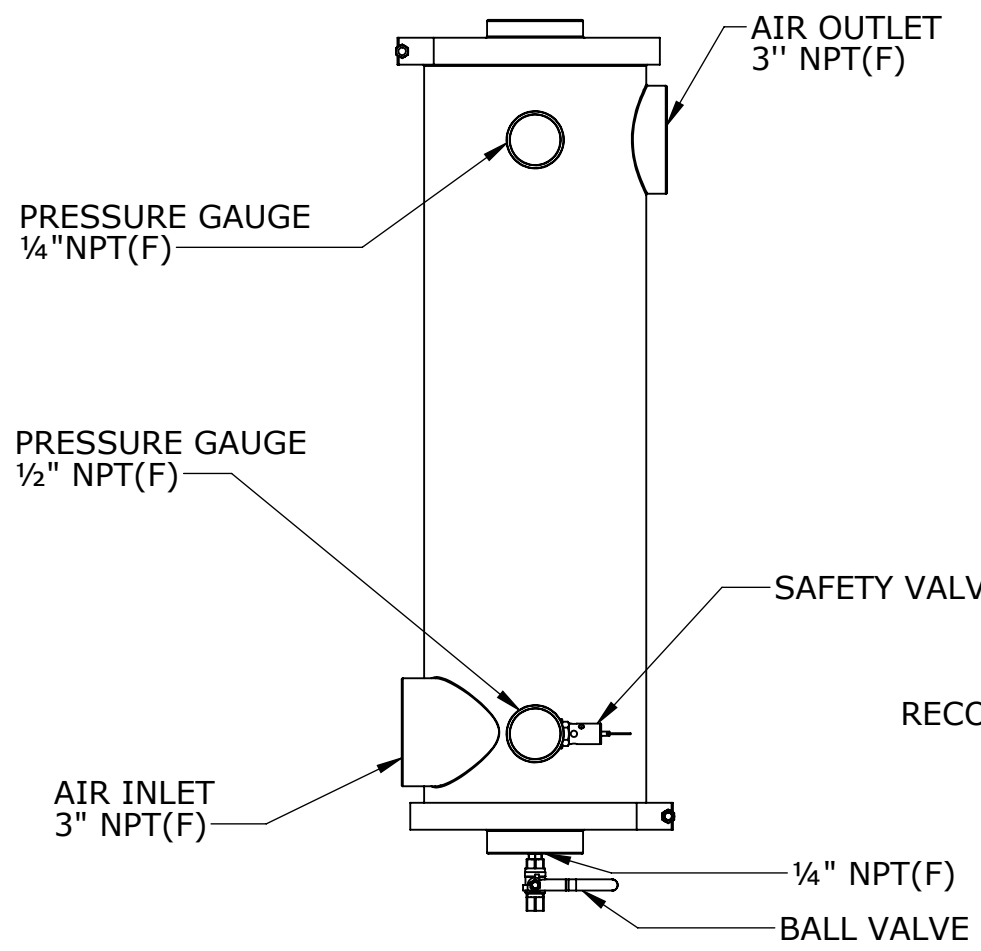


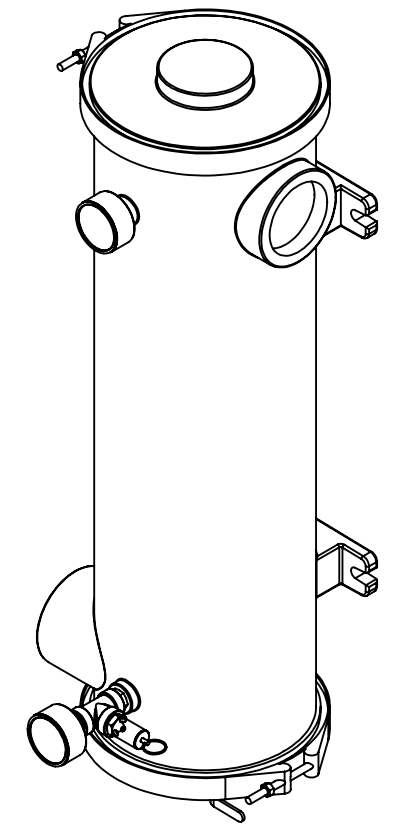
1 2 3 4 5 6 7 8

D

D



RECOMMENDED HOLE PATTERN
FOR $\phi \frac{3}{8}$ " SCREWS

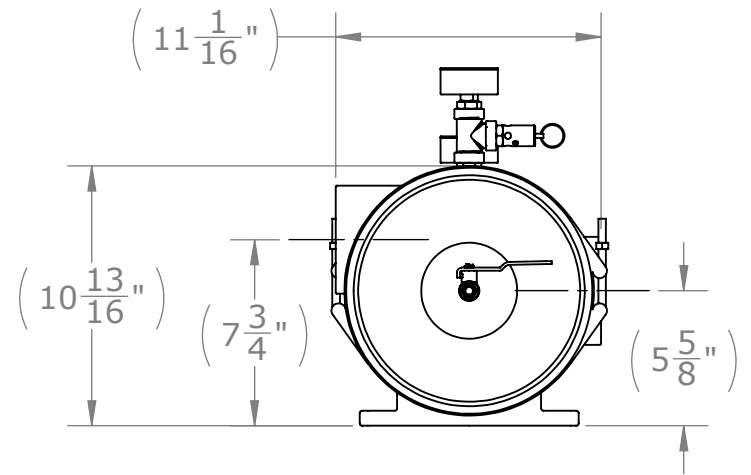


C

C

B

B



A

A



DESSINE / DRAWN JC	DATE YY/MM/DD 21/11/23	DESCRIPTION D4 - Desiccant Air Dryer
VERIFIE / CHECKED JDF	DATE YY/MM/DD 22/07/19	
	ECHELLE / SCALE 1:8	FORMAT / SIZE B
	NO. DESSIN / DWG NUMBER SKU: 280-140	PAGE / SHEET 1 OF 1
		REV. 02

1 2 3 4 5 6 7 8