

8

7

6

5

4

3

2

1

D

D

2X PRESSURE GAUGE
1/4" NPT(F)

AIR OUTLET
1 1/2" NPT(F)

AIR INLET
1 1/2" NPT(F)

SAFETY VALVE

1" NPT(F)

REDUCER 1" NPT(M) to 1/4" NPT(F)

BALL VALVE

(ϕ 7")

7.00

8.00

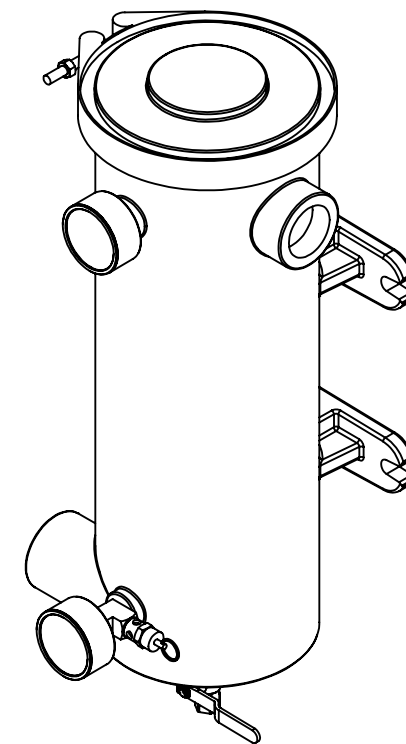
RECOMMENDED HOLE PATTERN
FOR ϕ 1/4" SCREWS \triangle 03

(21 11/16")

(15 5/8")

(4 1/4")

(9")

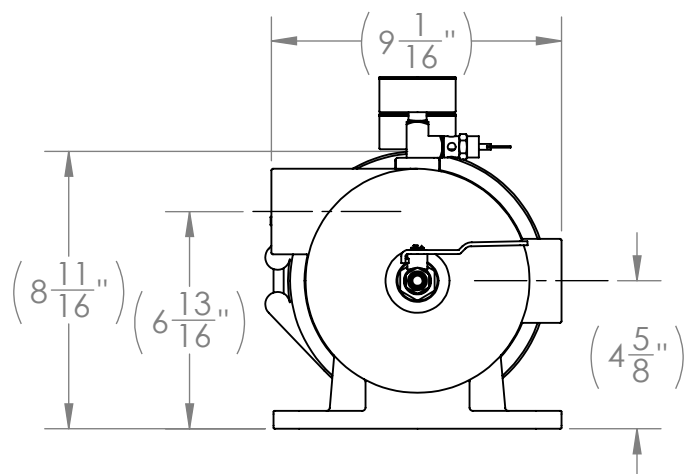


C

C

B

B



A

A

8

7

6

5

4

3

2

1



DESSINE / DRAWN JC	DATE YY/MM/DD 21/11/23	DESCRIPTION D2 - Desiccant Air Dryer
VERIFIE / CHECKED JDF	DATE YY/MM/DD 22/07/19	
	ECHELLE / SCALE 1:6	FORMAT / SIZE B
NO. DESSIN / DWG NUMBER SKU: 280-120		PAGE / SHEET 1 OF 1
		REV. 03