

8

7

6

5

4

3

2

1

D

D

C

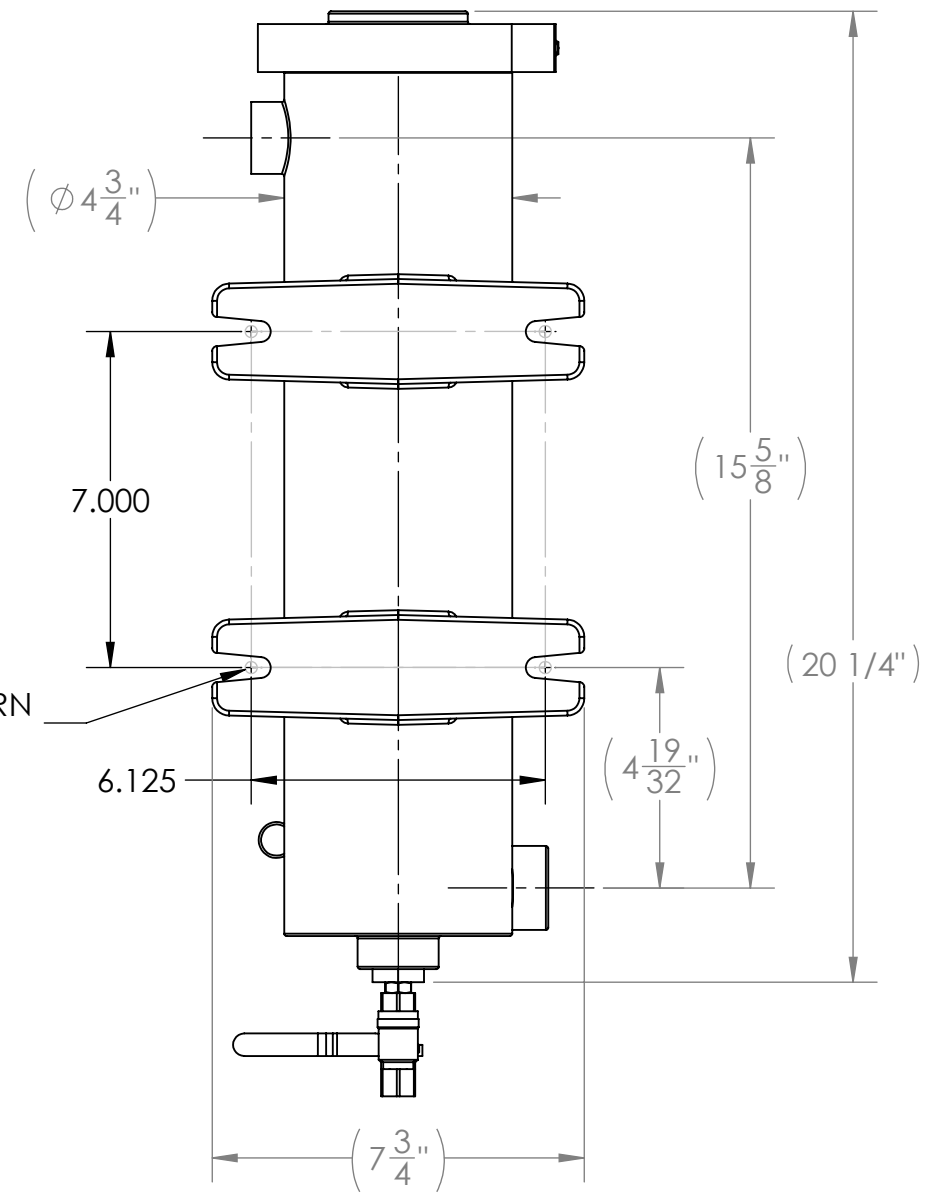
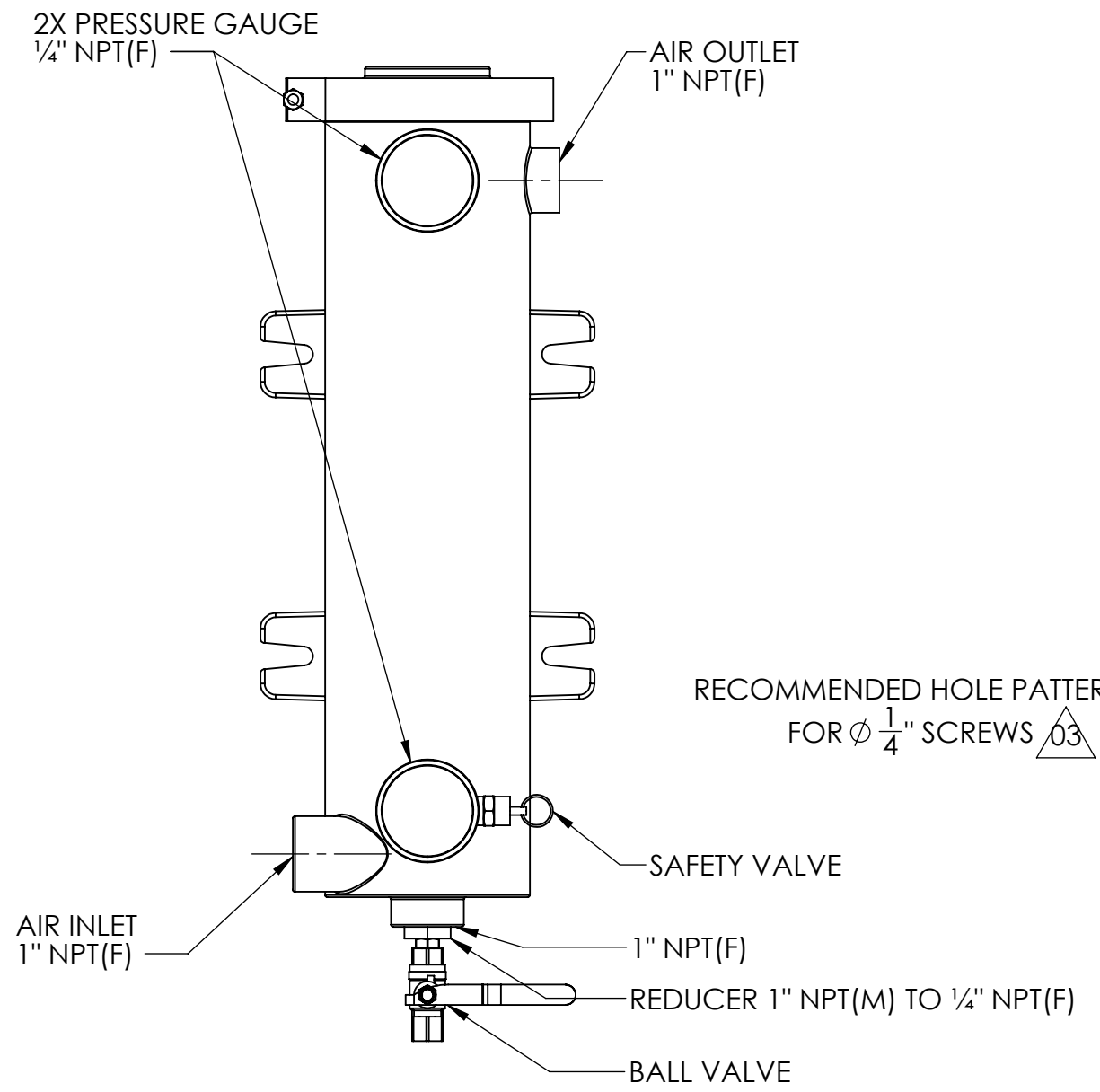
C

B

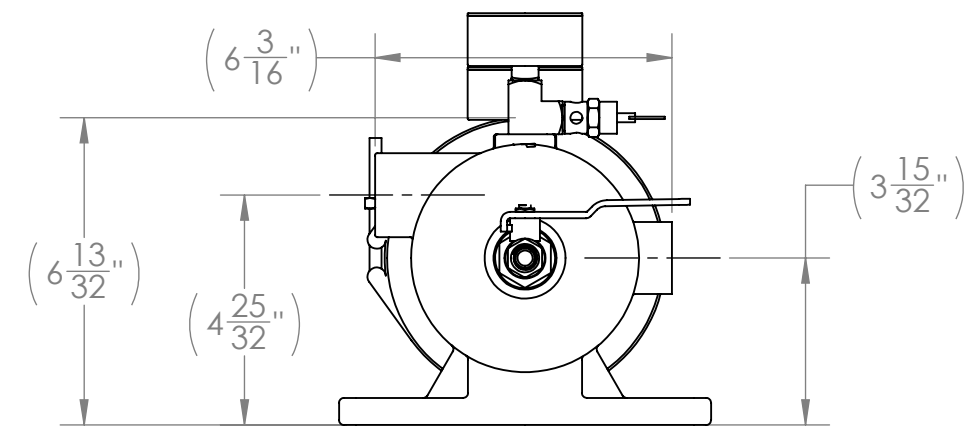
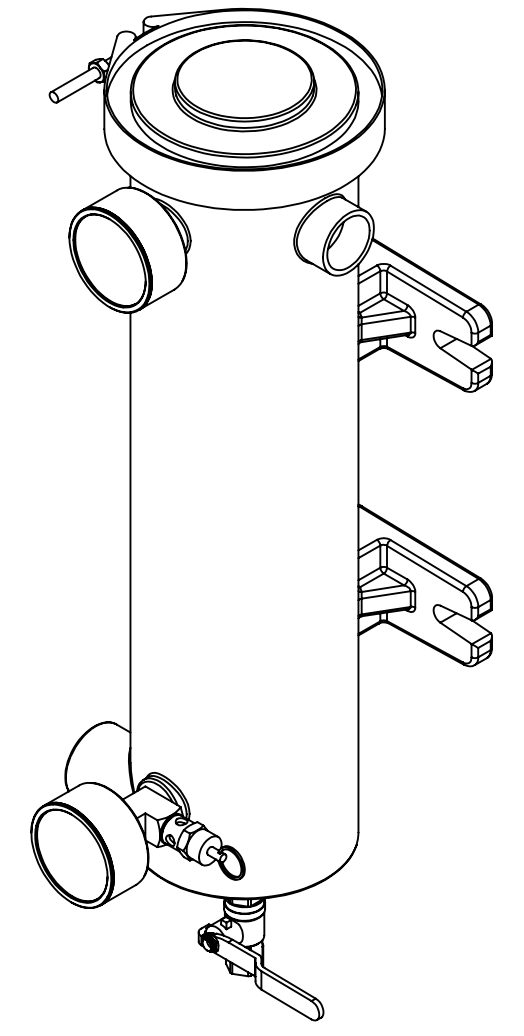
B

A

A



RECOMMENDED HOLE PATTERN
FOR $\phi \frac{1}{4}''$ SCREWS $\triangle 03$



DESSINE / DRAWN JC	DATE YY/MM/DD 21/11/23	DESCRIPTION D1 - Desiccant Air Dryer
VERIFIE / CHECKED JDF	DATE YY/MM/DD 22/07/19	
ECHELLE / SCALE 1:4	FORMAT / SIZE B	NO. DESSIN / DWG NUMBER SKU: 280-110
		PAGE / SHEET 1 OF 1
		REV. 03

8

7

6

5

4

3

2

1