

DATA SHEET

U 5.40 (XL K) ROTARY VANE VACUUM PUMPS

oil-lubricated
air-cooled

MAKE IT BECKER.

**ROBUST
AND QUIET**

40 m³/h
and compact enough for
table-top packaging machines

MODULAR

40% FASTER EVACUATION TIME
compared to the industry standard



U 5.40 XL K



U 5.40 XL



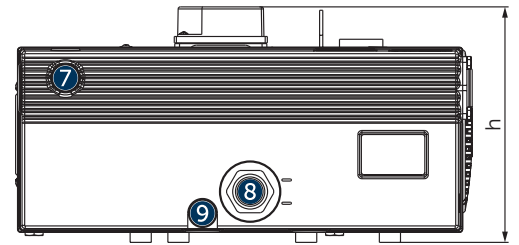
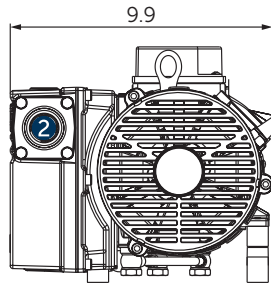
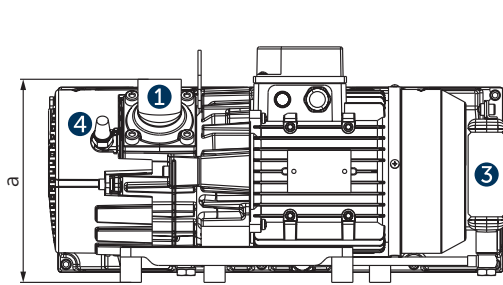
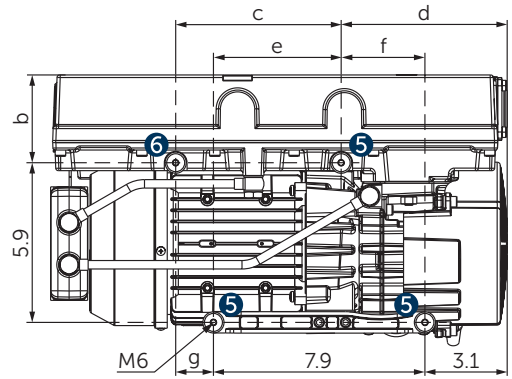
U 5.40



a	b	c	d
≤7.6	3.3	6.2	6.2/7.5
e	f	g	h
4.8/3.5	3.1/4.4	1.4	8.8/8

▪ depending on motor version

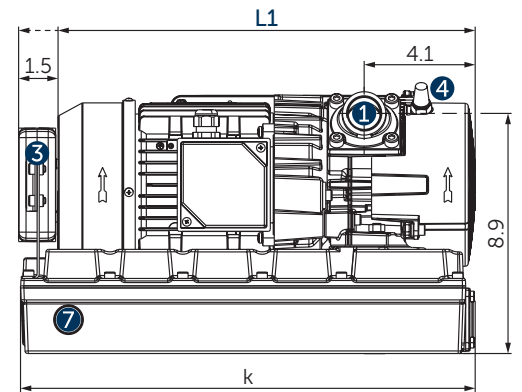
Oil tank	k
0.264 U.S. gal.	16.9
0.132 U.S. gal.	12.2



	U 5.40 XL K	U 5.40 XL	U 5.40
1 Vacuum connection (G1), rotatable in 90° steps	vertical (see drawing)	horizontal	horizontal
2 Exhaust air side	G ³ / ₄	open	open
3 Oil-air cooler	inclusive	–	–
4 Gas ballast valve	inclusive	optional	optional
5 Rubber buffers, 3 pieces	inclusive	inclusive	inclusive
6 Additional rubber buffer	inclusive	inclusive	–
7 Oil filler cap			
8 Oil sight glass			
9 Screw plug for oil drain			

L Overall device length L1 with motor is variable, see separate motor specification sheet

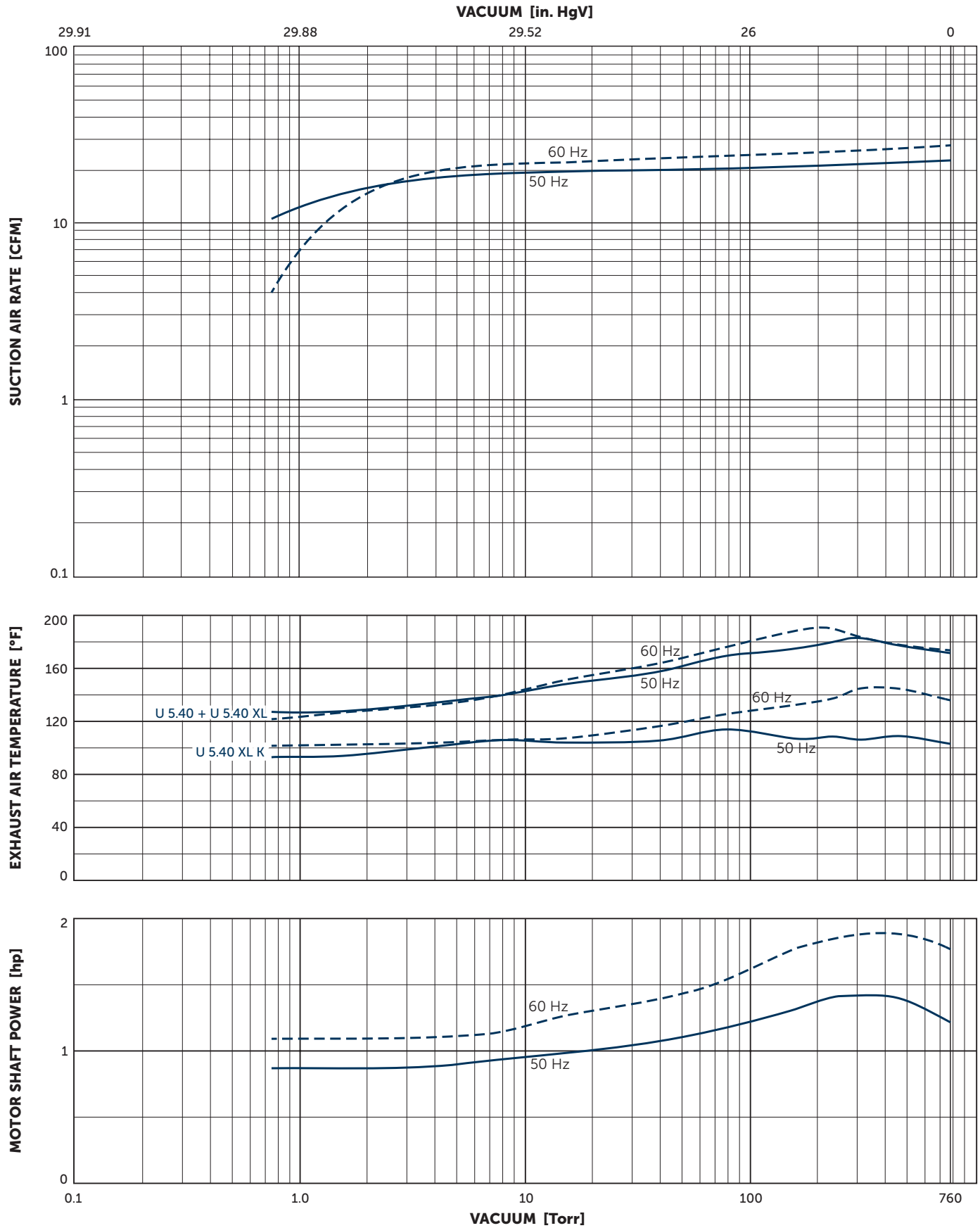
- Non-return valve and oil separator are integrated
- The motor illustration may vary
- Dimensions in inch



	Nominal capacity		Vacuum absolute for continuous operation		Emission sound pressure level ¹⁾		Weight incl. motor	Oil tank
	CFM		Torr		dB(A)		lbs	U.S. gal.
	50 Hz	60 Hz	50 Hz	60 Hz	50 Hz	60 Hz	3~/1~	
U 5.40 XL K	23.5	28.2	0.75–225	0.75–225	67	71	59.5/62.8	0.264
U 5.40 XL	23.5	28.2	0.75–75	0.75–75	67	71	58.0/61.3	0.264
U 5.40	23.5	28.2	0.75–75	0.75–75	64	67	55.1/58.4	0.132

¹⁾ According to DIN EN ISO 11203, accuracy class of measurement: class 2, extended measurement uncertainty: 3 dB 39.4 inch distance, at medium load, vacuum connection piped, exhaust side open

- Gas ballast valve: vacuum <1.5 Torr (with opened gas ballast valve), water vapour tolerance max. 9 Torr, water vapour capacity max. 0.0924 U.S.gal./h (at 185°F operating temperature)



Suction air rate refers to the intake pressure
 Reference data (atmosphere): 0 in. HgV / 760 Torr, 68°F; Tolerance: ±10%

+ VARIANTS AND ACCESSORIES

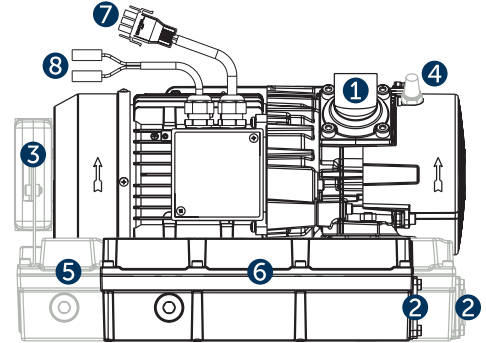
○ 5.40 (XL) WITH MATE-N-LOK POWER CONNECTION

	U 5.40 XL K	U 5.40 XL	U 5.40
1 Vacuum connection (G1), rotatable in 90° steps	vertical	horizontal (see illustration)	horizontal (see illustration)
2 Exhaust air side	G $\frac{3}{4}$	open	open
3 Oil-air cooler	inclusive	–	–
4 Gas ballast valve	inclusive	optional	optional
5 0.264 U.S. gal. oil tank	inclusive	inclusive	–
6 0.132 U.S. gal. oil tank	–	–	inclusive

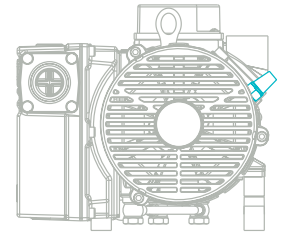
7 Power connection (Mate-N-Lok)

8 Capacitor connection Faston F 6.3

▪ Motors see separate motor specification sheet



Gas ballast valve		Version 1	Version 2
for ... amounts of moisture		small	higher
Vacuum (with opened gas ballast valve)	[Torr]	<1.5	<15
Water vapour tolerance	max. [Torr]	9	on request
Water vapour capacity (at 185°F operating temperature)	max. [U.S.gal./h]	0.0924	on request



BECKER LUBE¹⁾

- **M 68** mineral
- **M 32** mineral

- **S 68** synthetic
- **S 32** synthetic

- **SL 68** food (food packaging)
- **SL 32** food (food packaging)

- **SM 68** food (food processing)
- **SM 32** food (food processing)

¹⁾ See operating instructions



Freely configurable service openings (illustration 0.132 U.S. gal. oil tank)

MAKE IT BECKER.

HOMEPAGE
[U SERIES SMALL](#)



DOWNLOAD
[MOTOR SPECS.](#)



ONLINE SHOP



www.beckerpumps.com
www.becker-international.com

