

DATA SHEET

U 5.301

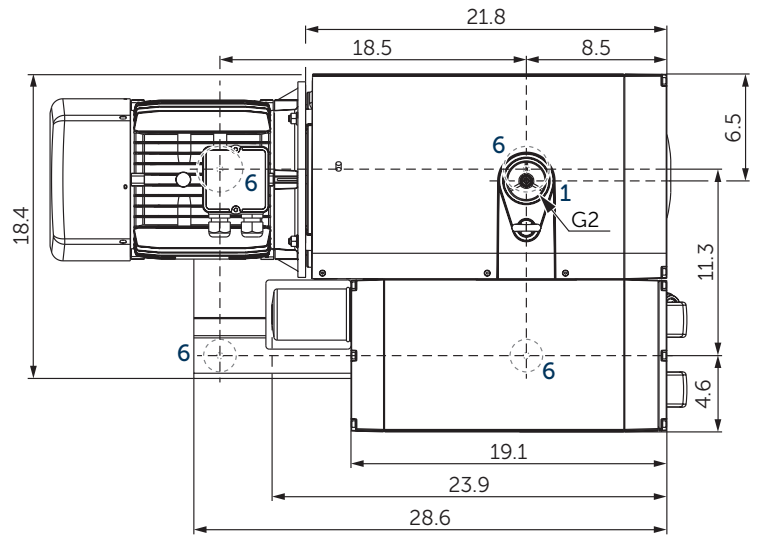
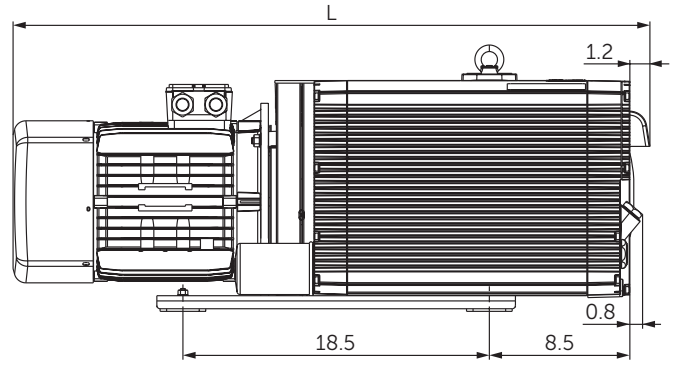
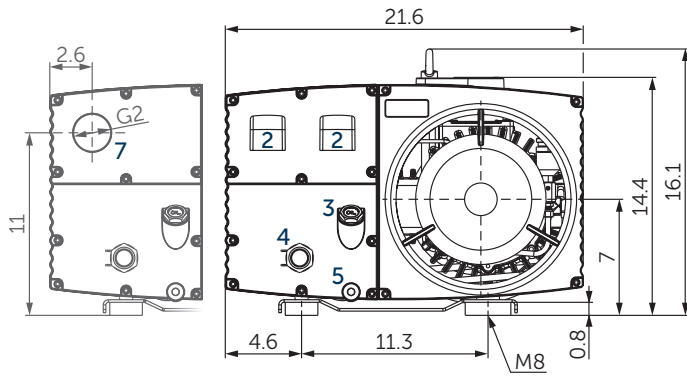
ROTARY VANE- VACUUM PUMPS

oil-lubricated
air-cooled

MAKE IT BECKER.



figure U 5.201



- 1 Vacuum connection (G2)
- 2 Exhaust air (diverter)
- 3 Oil filler cap (G³/₄)
- 4 Oil sight glas (G1)
- 5 Screw plug for oil drain (G¹/₂)
- 6 Rubber buffer position
- 7 optional: threaded connector for exhaust air (G2)
- L Length see motor table
- incl. gas ballast valve, non-return valve, oil separator and oil filter
- The motor illustration may vary
- Dimensions in inch

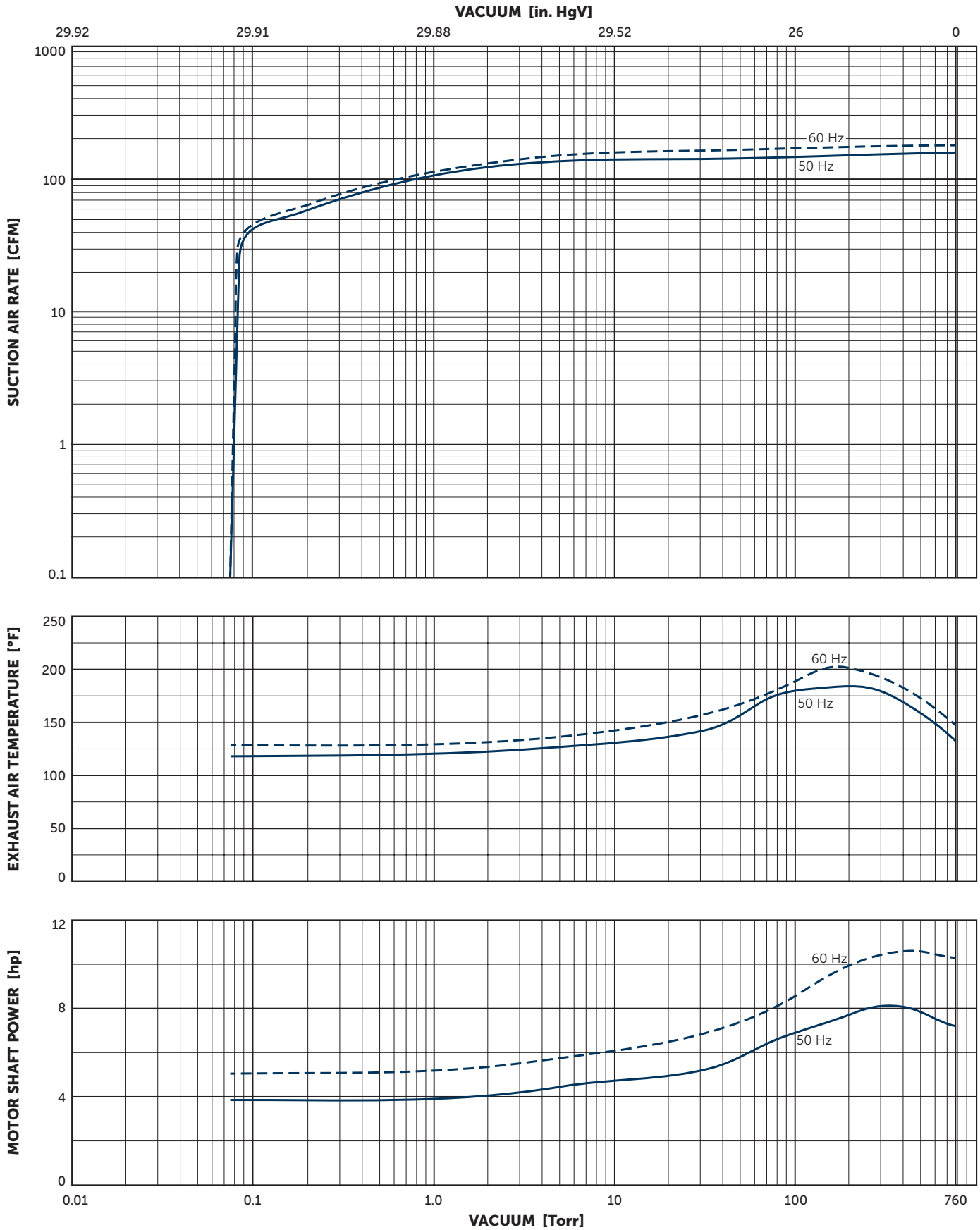
Nominal capacity		Vacuum for continous operation		Motors		Emission sound pressure level ¹⁾		Weight w/o motor	Oil ²⁾
CFM		Torr		hp		dB(A)		lbs	U.S. gal.
50 Hz	60 Hz	50 Hz	60 Hz	50 Hz	60 Hz	50 Hz	60 Hz		
176	211	<0.075–75	<0.075–75	7.4	8.9	73	76	198.5	1.6
176	211	<0.075–300	<0.075–300	10.1	12.1	73	76	198.5	1.6

¹⁾ According to DIN EN ISO 11203, accuracy class of measurement: class 2, extended measurement uncertainty: 3 dB
39.4 inch distance, at medium load, both connection sides piped

²⁾ Becker Lube: Synthetic Oil • Premium Synthetic Oil (PAO) • Food Grade Vacuum Pump Oil
▪ Gas ballast valve: vacuum 0.75 Torr with opened gas ballast valve; water vapour tolerance max. 30 Torr; water vapour capacity max. 1.32/1.48 U.S.gal./h 50/60 Hz (at 185°F operating temperature)

3~ Motors													L
#	50 Hz					60 Hz					Version	Weight lbs	inch
	hp	V	IE3	rpm	A	hp	V	IE3	rpm	A			
01	7.4	Δ230/Y400	IE3	1468	20.7/12.0	8.9	Δ265/Y460 Δ230/Y400	IE3 -	1762 1750	20.6/11.9 21.6/12.5	IP 55 • ISO F • bimetal	116.9	37.3
02	7.4	Δ400	IE3	1468	12.3	8.9	Δ460 Δ400	IE3 -	1764 1751	12.0 12.4	IP 55 • ISO F • bimetal	116.9	37.3
03						8.9	YY230/Y460 YY208	IE3 -	1755 1750	22.1/11.1 23.3	UL (E235514) • CSA CC329B IP 55 • ISO F • bimetal	121.3	38.4
04	7.4	Δ200/Y350	IE3	1474	27.4/15.8	8.9	Δ200/Y380-400 Δ200/Y350	IE3 -	1769 1761	24.1/14.5-13.8 25.4/14.65	IP 55 • ISO F • bimetal	140.0	38.8
05						8.9	Δ400	IE3	1765	13.6/7.9	UL (E235514) • CSA CC329B IP 55 • ISO F • bimetal	156.1	38.4
06	10.1	Δ230/Y400	IE3	1445	28.0/16.2	12.1	Δ265/Y460 Δ230/Y400	IE3 -	1735 1720	26.8/15.5 30.9/17.9	IP 55 • ISO F • bimetal	121.3	38.8
07	10.1	Δ400	IE3	1445	16.0	12.1	Δ460 Δ400	IE3 -	1735 1720	15.5 18.0	IP 55 • ISO F • bimetal	121.3	38.8
08						12.1	YY230/Y460 YY208	IE3 -	1763 1760	33.6/16.8 33.8	UL (E235514) • CSA CC329B IP 55 • ISO F • bimetal	149.9	38.4
09	10.1	Δ200/Y350	IE3	1450	31.8/18.3	12.1	Δ200/Y380-400 Δ200/Y350	IE3 -	1760 1745	31.5/18.2-17.3 33.9/19.5	IP 55 • ISO F • bimetal	121.3	38.8
10						12.1	Δ400	IE3	1767	21.1	UL (E235514) • CSA CC329B IP 55 • ISO F • bimetal	157.4	38.4

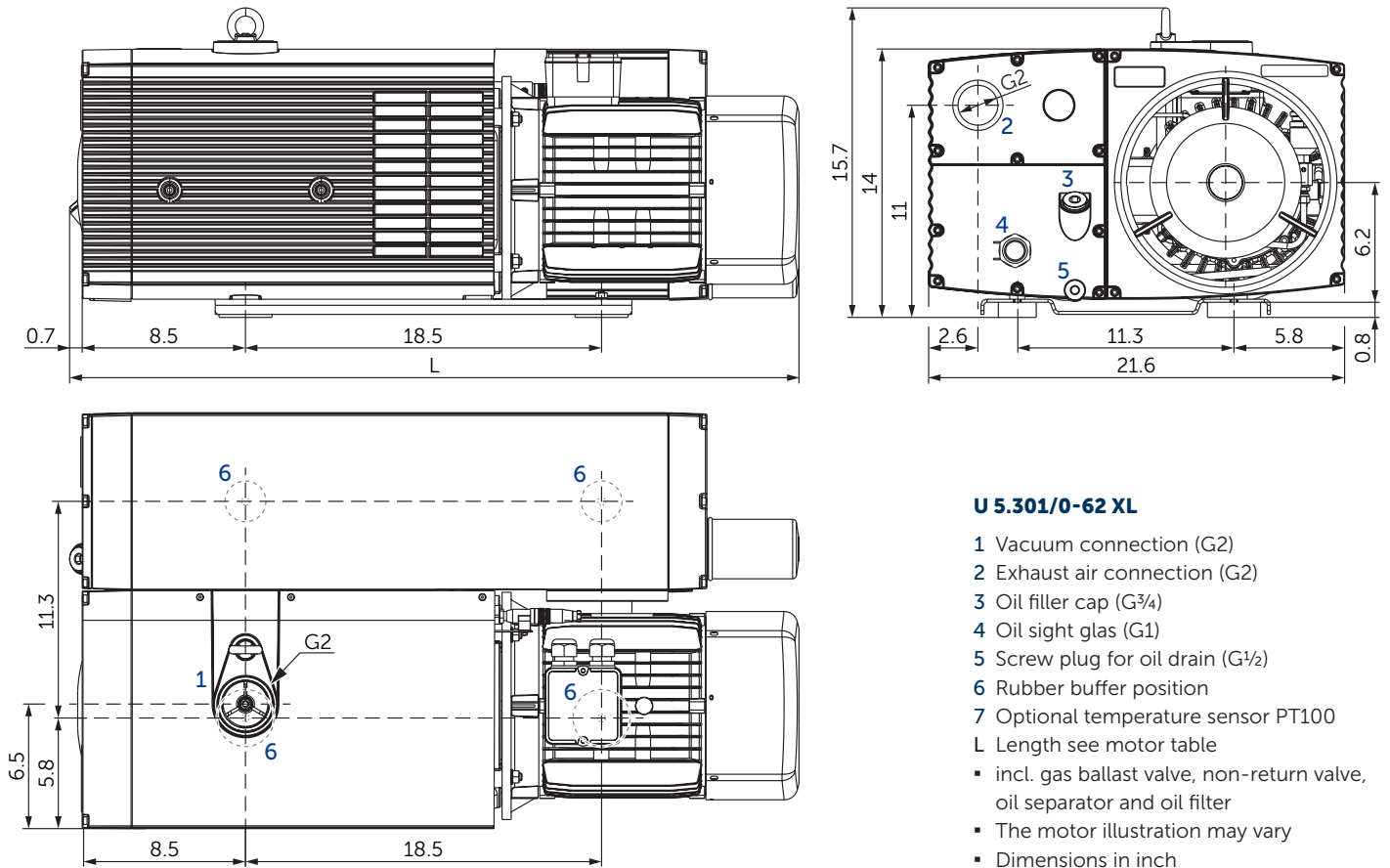
• Type plate data on current consumption and rotation speed of the motors may vary. Tolerance -1.5/+2% in each case.



Suction air rate refers to the intake pressure
 Reference data (atmosphere): 0 In. HgV / 760 Torr, 68°F; Tolerance: ±10%

+ VARIANTS AND ACCESSORIES

- **VARIAR U 5.301**¹⁾ with VARIAIR frequency inverter
- **U 5.301 O2-PACK**¹⁾ for packaging with an overconcentration of oxygen
- **U 5.301/0-62 XL** with enlarged oil tank and high efficient triple stage oil separation, weight without motor: 231.5 lbs, oil quantity 3.4 U.S. gal., further technical data, motors and characteristic curves like standard pump



U 5.301/0-62 XL

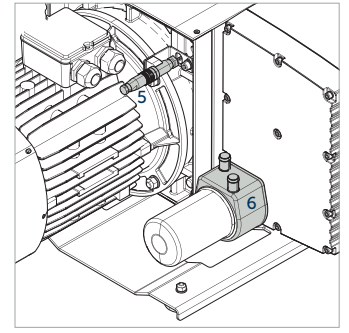
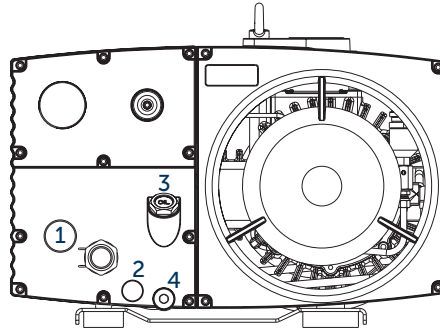
- 1 Vacuum connection (G2)
 - 2 Exhaust air connection (G2)
 - 3 Oil filler cap (G³/₄)
 - 4 Oil sight glas (G1)
 - 5 Screw plug for oil drain (G¹/₂)
 - 6 Rubber buffer position
 - 7 Optional temperature sensor PT100
- L Length see motor table
- incl. gas ballast valve, non-return valve, oil separator and oil filter
 - The motor illustration may vary
 - Dimensions in inch

¹⁾ See separate data sheet
 ▪ Combination options on request

ACCESSORIES

- External suction filter¹⁾
- Oil: Becker Lube Synthetic Oil, Premium Synthetic Oil (PAO) and Food Grade Vacuum Pump Oil

- 1 Oil level switch¹⁾ (G1)
- 2 Oil temperature monitor¹⁾ (G¹/₂)
- 3 Maintenance indicator¹⁾ (G³/₄) for oil separating elements
- 4 Ball valve (G¹/₂), with locking and hose connector 19 mm [0.75 inch]
- 5 Temperature sensor PT100
- 6 Water cooler U5.200-0-114.2¹⁾



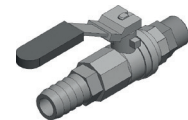
Oil level switch



Oil temperature monitor



Maintenance indicator



Ball valve

U 5.301 versions	Gas ballast valve		Threaded connector for exhaust air	Prepared for additional accessories (e.g. oil level switch; see above)
	Standard	for increased water vapour tolerance		
U 5.301/0-00	✓			
U 5.301/0-01	vacuum 0.75 Torr with opened gas ballast valve; water vapour tolerance max. 30 Torr;		✓ (G2)	
U 5.301/0-02	water vapour capacity max. 1.32/1.48 U.S.gal./h 50/60 Hz			✓
U 5.301/0-03	(at 185°F operating temperature)		✓ (G2)	✓
U 5.301/0-04	✓			
U 5.301/0-05	vacuum 2.25 Torr with opened gas ballast valve; water vapour tolerance max. 52.5 Torr;		✓ (G2)	
U 5.301/0-06	water vapour capacity max. 2.64/3.43 U.S.gal./h 50/60 Hz			✓
U 5.301/0-07	(at 185°F operating temperature)		✓ (G2)	✓

¹⁾ See separate data sheet
 • Combination options on request

MAKE IT BECKER.

