

DATA SHEET

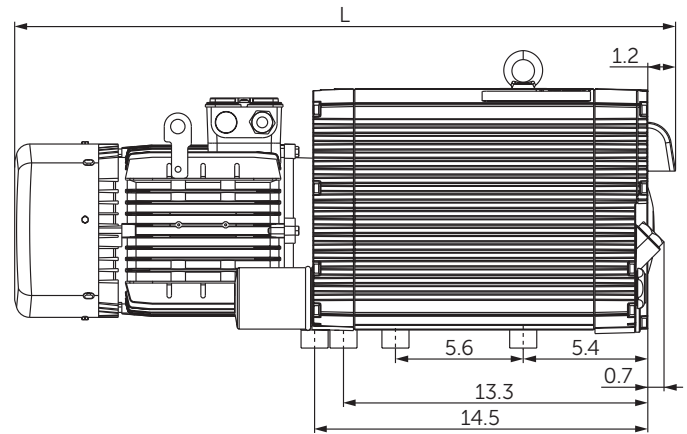
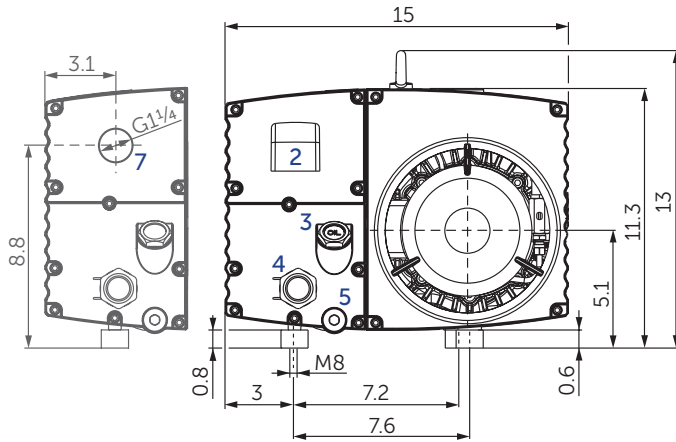
U 5.101

ROTARY VANE- VACUUM PUMPS

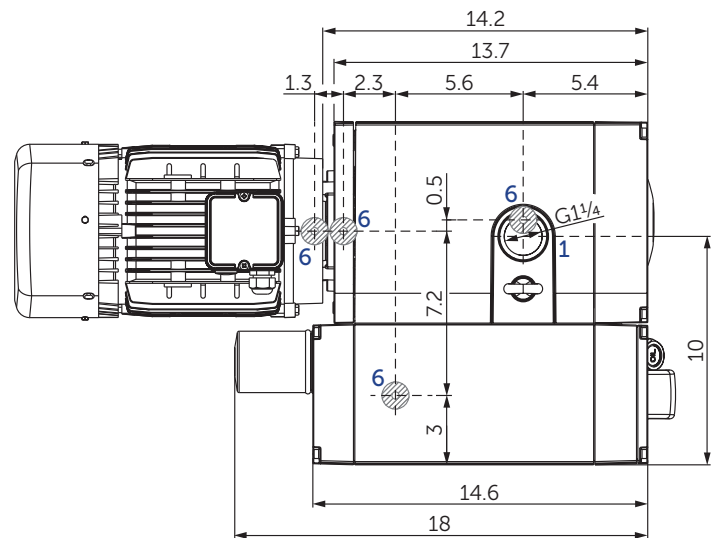
oil-lubricated
air-cooled

MAKE IT BECKER.





- 1 Vacuum connection (G1¼)
- 2 Exhaust air (diverter)
- 3 Oil filler cap (G¾)
- 4 Oil sight glas (G1)
- 5 Screw plug for oil drain (G½)
- 6 Rubber buffer position
- 7 optional: threaded connector for exhaust air (G1¼)
 - incl. gas ballast valve, non-return valve, oil separator and oil filter
 - The motor illustration may vary
 - Dimensions in inch



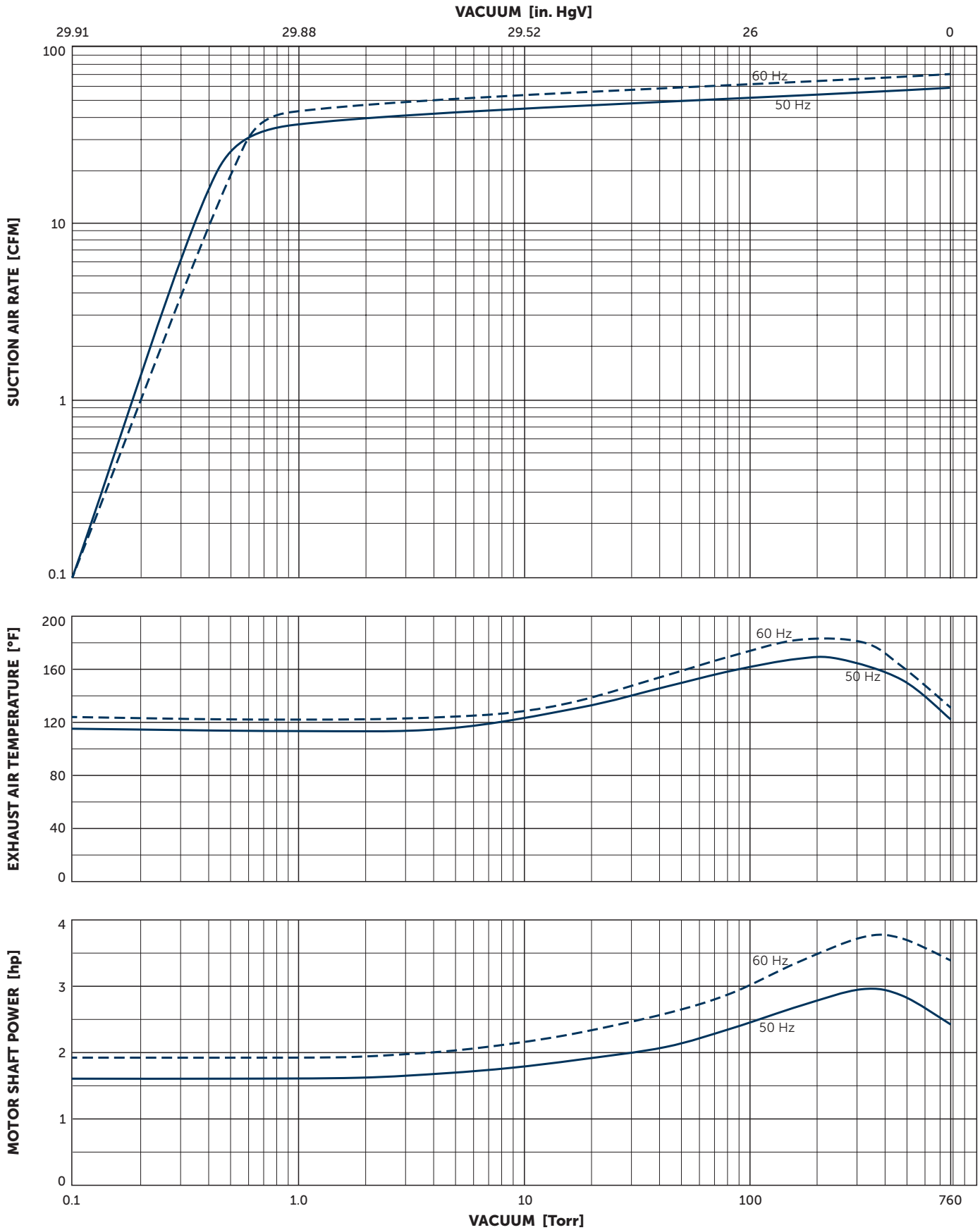
Nominal capacity		Vacuum for continous operation		Motors		Emission sound pressure level ¹⁾		Weight w/o motor	Oil ²⁾
CFM		Torr		hp		dB(A)		lbs	U.S. gal.
50 Hz	60 Hz	50 Hz	60 Hz	50 Hz	60 Hz	50 Hz	60 Hz		
58.8	70.6	<0.075–300	<0.075–300	3.0	3.5	65	68	88.2	0.53

¹⁾ According to DIN EN ISO 11203, accuracy class of measurement: class 2, extended measurement uncertainty: 3 dB
39.4 inch distance, at medium load, both connection sides piped

²⁾ Becker Lube: Synthetic Oil • Premium Synthetic Oil (PAO) • Food Grade Vacuum Pump Oil
▪ Gas ballast valve: vacuum 0.75 Torr with opened gas ballast valve; water vapour tolerance max. 5.25 Torr; water vapour capacity max. 0.238 U.S.gal./h (at 185°F operating temperature)

3~ Motors											L		
#	50 Hz				60 Hz				Version	Weight lbs	inch		
	hp	V	rpm	A	hp	V	rpm	A					
01			Δ230/Y400	IE3	1460	7.45/4.3							
	3.0	Y380	IE3	1454	4.5	3.0	Y460	IE3	1766	3.8	CC055B NEMA Premium		
		Y415	IE3	1464	4.3						UL(E68554)		
											CSA		
											IP55	63.9	27.8
02							Δ208		1740	9.7			
						3.5	Δ230		1752	8.7		ISO F	
							Y400		1752	5.0		PTC	
							Y460		1758	4.4			
03							YY230/Y460	IE3	1765	9.3/4.6	UL(E365362) • CSA CC334B	81.6	29.2
							YY208		1755	9.7	IP55 • ISO F • bimetal		
04							Δ220/Y380-400	IE3	1750	10.6/6.1-5.8	UL(E365362) • CSA	63.9	28.7
	3.0	Δ200/Y350	IE3	1460	11.2/6.5	3.5	Δ200/Y350		1740	10.8/6.2	IP55 • ISO F • bimetal		
04							Δ400/Y690	IE3	1760	5.25/3.03	UL(E365362) • CSA IP55 • ISO F • bimetal	81.6	29.2

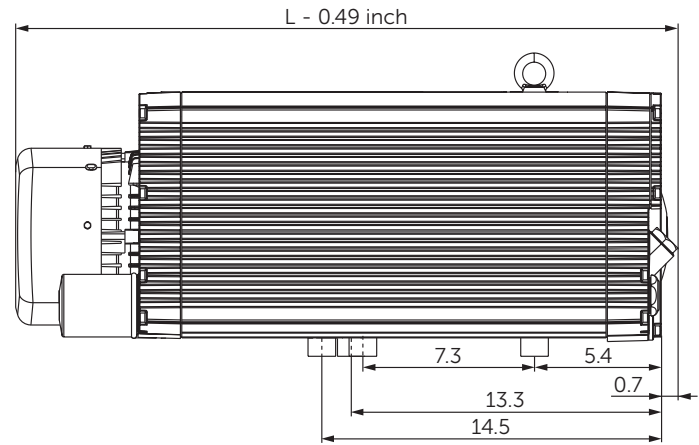
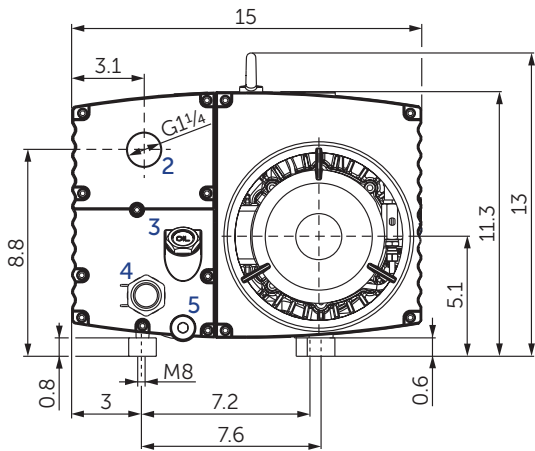
• Type plate data on current consumption and rotation speed of the motors may vary. Tolerance -1.5/+2% in each case.



Suction air rate refers to the intake pressure
 Reference data (atmosphere): 0 In. HgV / 760 Torr, 68°F; Tolerance: ±10%

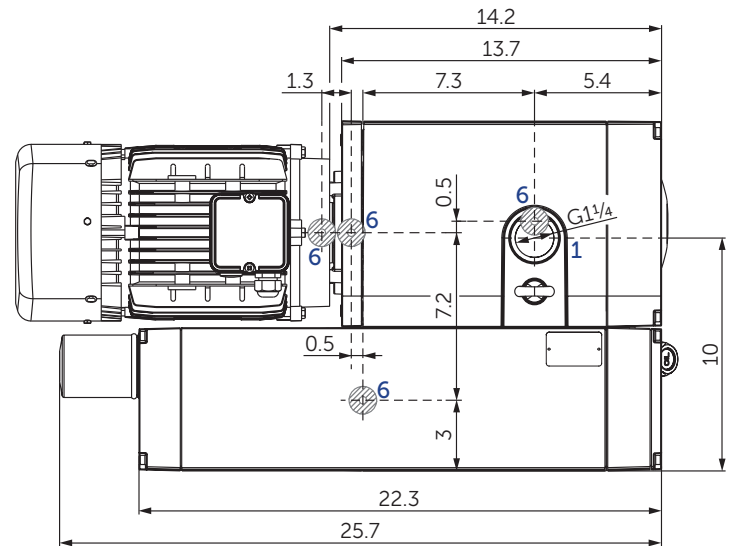
+ VARIANTS AND ACCESSORIES

- **U 5.101 O2-PACK**¹⁾ for packaging with an overconcentration of oxygen
- **VARIAIR U 5.101**¹⁾ with frequency inverter
- **U 5.101/0-62 XL** with enlarged oil tank (0.859 US gal. of oil) and high efficient triple stage oil separation (motors and characteristic curves like standard pump)



U 5.101/0-62 XL

- 1 Vacuum connection (G1¹/₄)
 - 2 Exhaust air connection (G1¹/₄)
 - 3 Oil filler cap (G³/₄)
 - 4 Oil sight glas (G1)
 - 5 Screw pluGfor oil drain (G¹/₂)
 - 6 Rubber buffer position
- L Length see motor table
- incl. gas ballast valve, non-return valve, oil separator and oil filter
 - The motor illustration may vary
 - Dimensions in mm [inch]



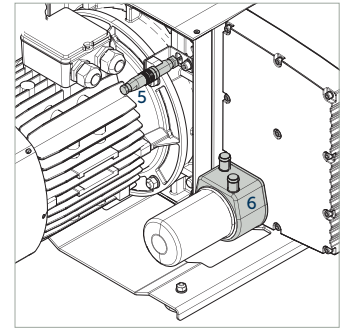
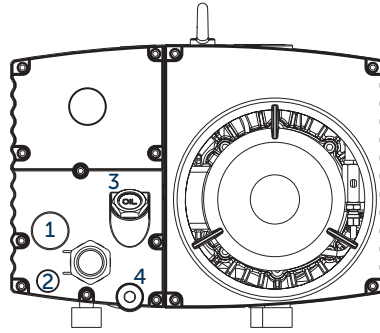
¹⁾ See separate data sheet

- Combination options on request

ACCESSORIES

- External suction filter¹⁾
- Oil: Becker Lube Synthetic Oil, Premium Synthetic Oil (PAO) and Food Grade Vacuum Pump Oil

- 1 Oil level switch¹⁾ (G1)
- 2 Oil temperature monitor¹⁾ (G1/2)
- 3 Maintenance indicator¹⁾ (G3/4) for oil separating elements
- 4 Ball valve (G1/2), with locking and hose connector 19 mm [0.75 inch]
- 5 Temperature sensor PT100
- 6 Water cooler U5.100-0-114.2¹⁾



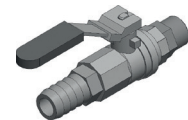
Oil level switch



Oil temperature monitor



Maintenance indicator



Ball valve

U 5.101 versions	Gas ballast valve		Threaded connector for exhaust air	Prepared for additional accessories (e.g. oil level switch; see above)
	Standard	for increased water vapour tolerance		
U 5.101/0-00	✓			
U 5.101/0-01	vacuum 0.75 Torr with opened gas ballast valve; water vapour tolerance max. 5.25 Torr;		✓ (G1¼)	
U 5.101/0-02	water vapour capacity max. 0.238 U.S.gal./h			✓
U 5.101/0-03	(at 185°F operating temperature)		✓ (G1¼)	✓
U 5.101/0-04	✓			
U 5.101/0-05	vacuum 2.25 Torr with opened gas ballast valve; water vapour tolerance max. 46.5 Torr;		✓ (G1¼)	
U 5.101/0-06	water vapour capacity max. 0.634 U.S.gal./h			✓
U 5.101/0-07	(at 185°F operating temperature)		✓ (G1¼)	✓

¹⁾ See separate data sheet
 • Combination options on request



MAKE IT BECKER.