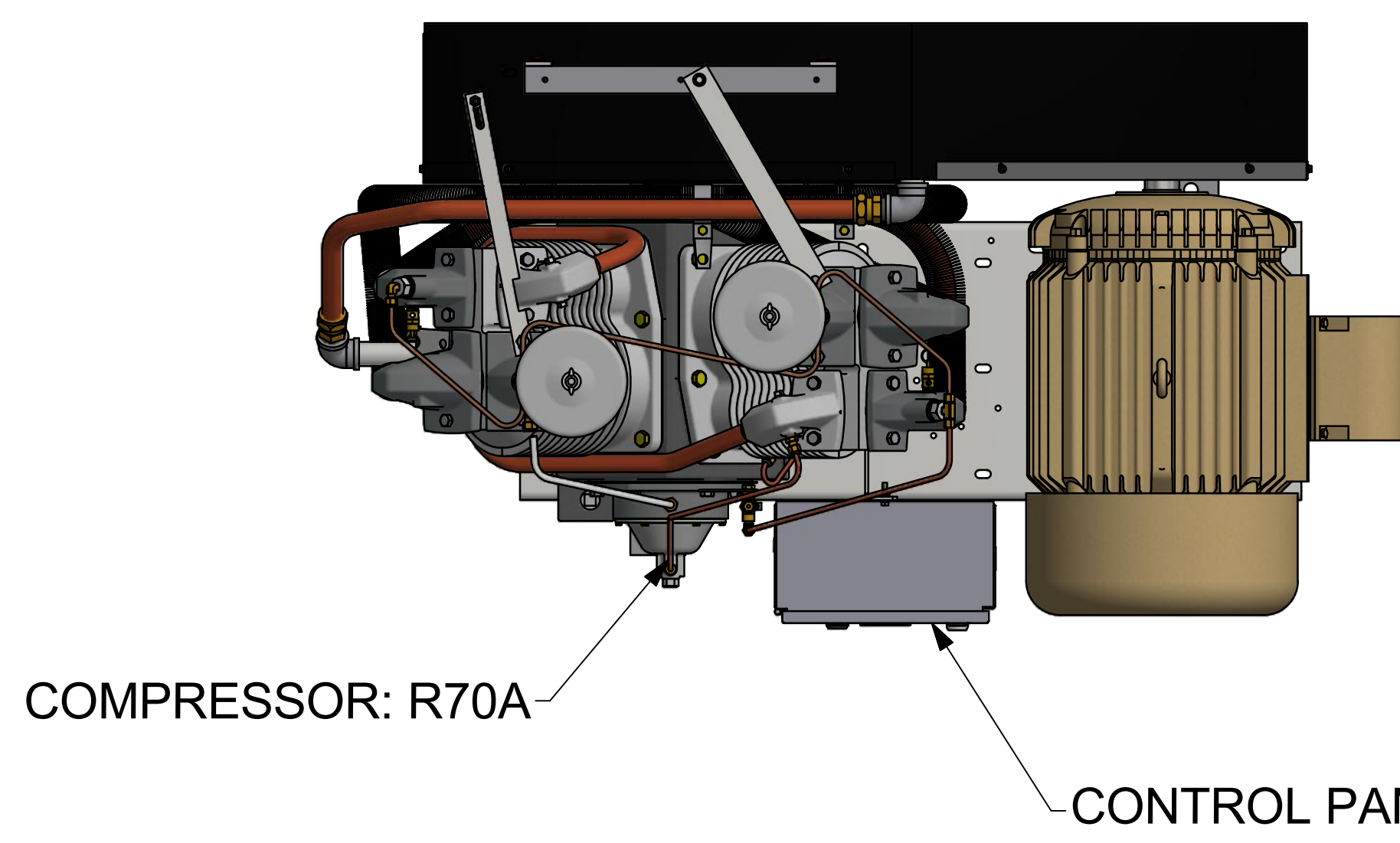
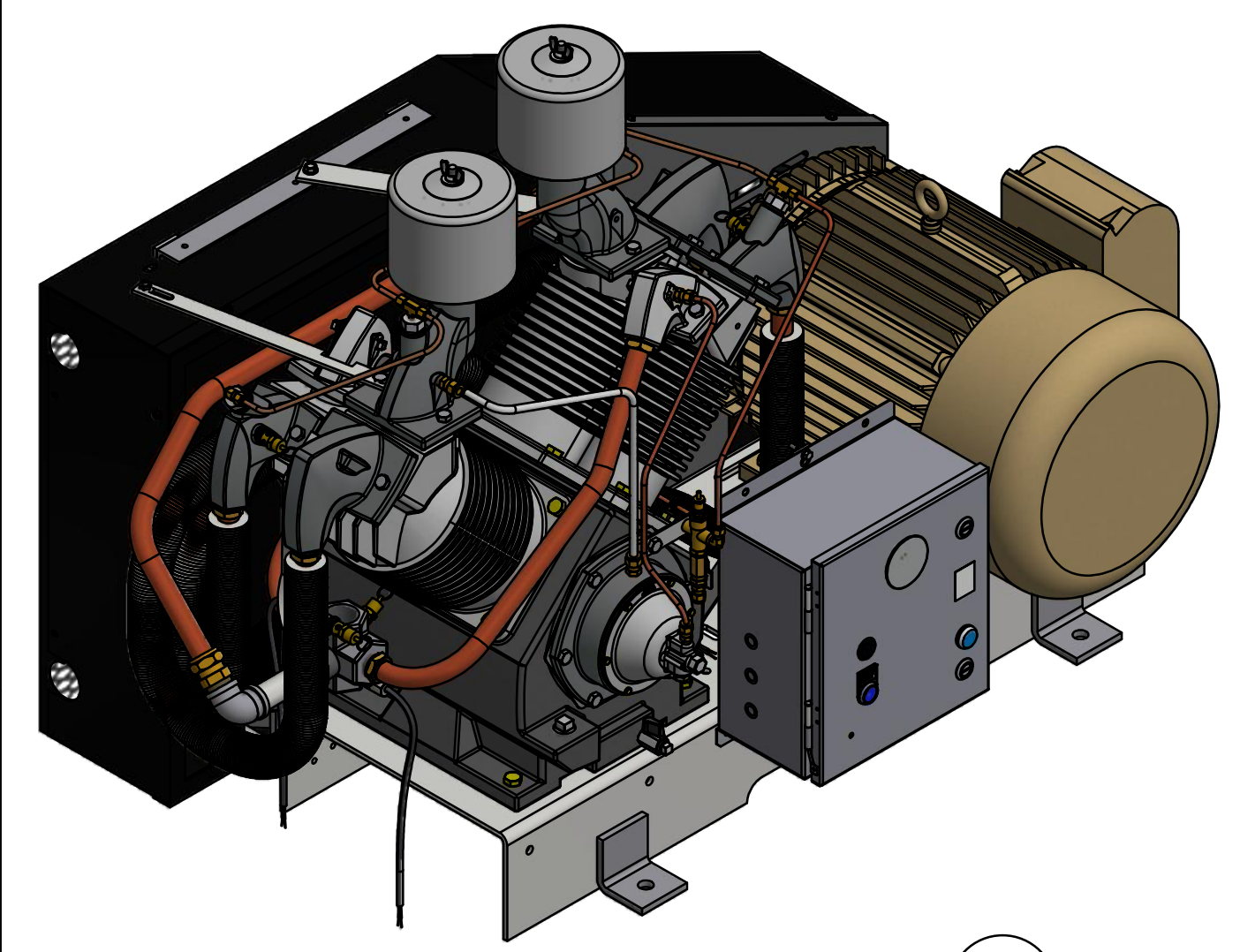
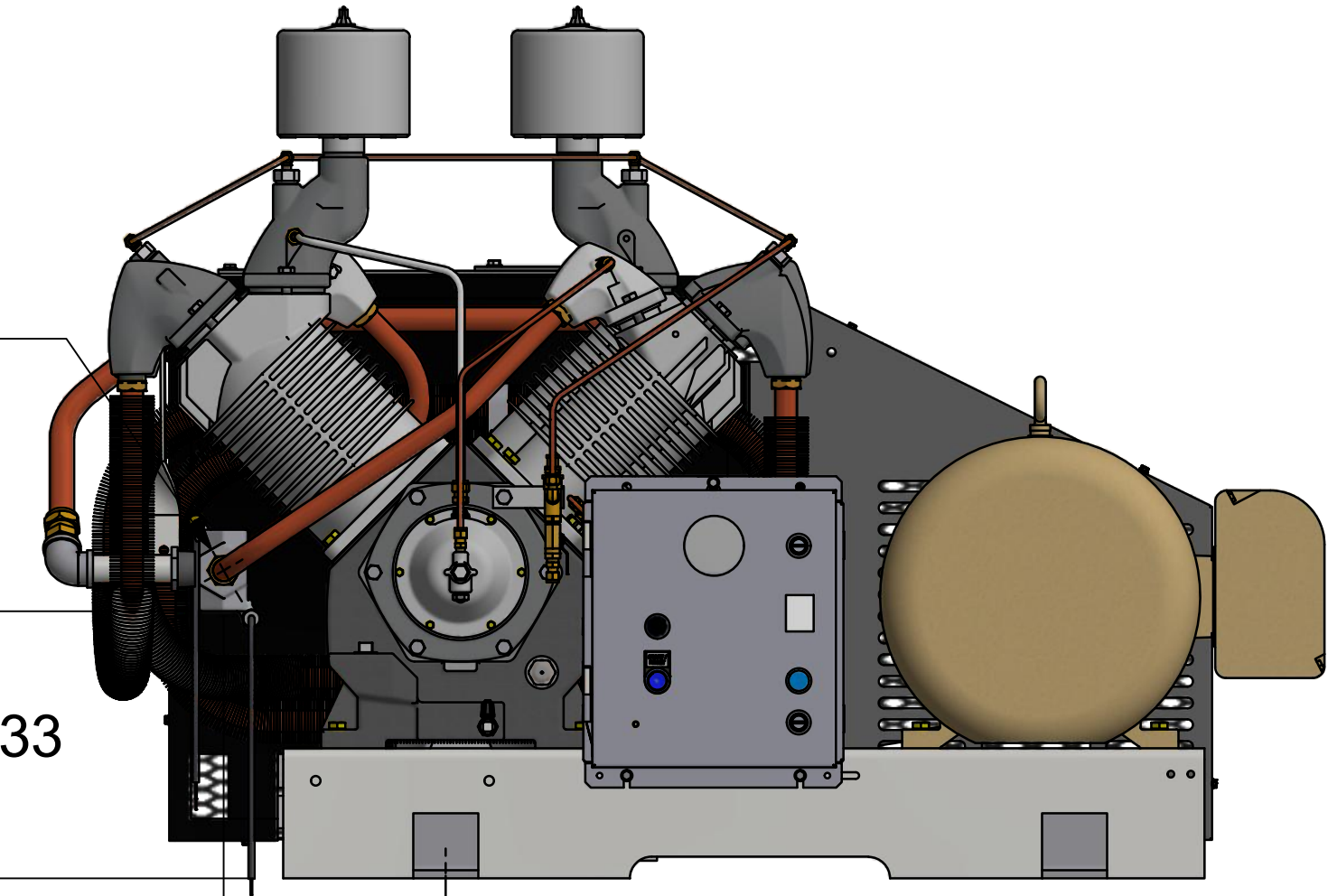


REVISION HISTORY						
ZONE	REV	DESCRIPTION	ECN #	DATE	DWN	CHK
2B 4C 6B 6C 7A 7C	C	REPLACED CONTROL PANEL, UPDATED WITH LATEST COMPRESSOR, UPDATED DIMENSIONS	IR1437087	6/29/2021	jxb3513.ext	kwt0829

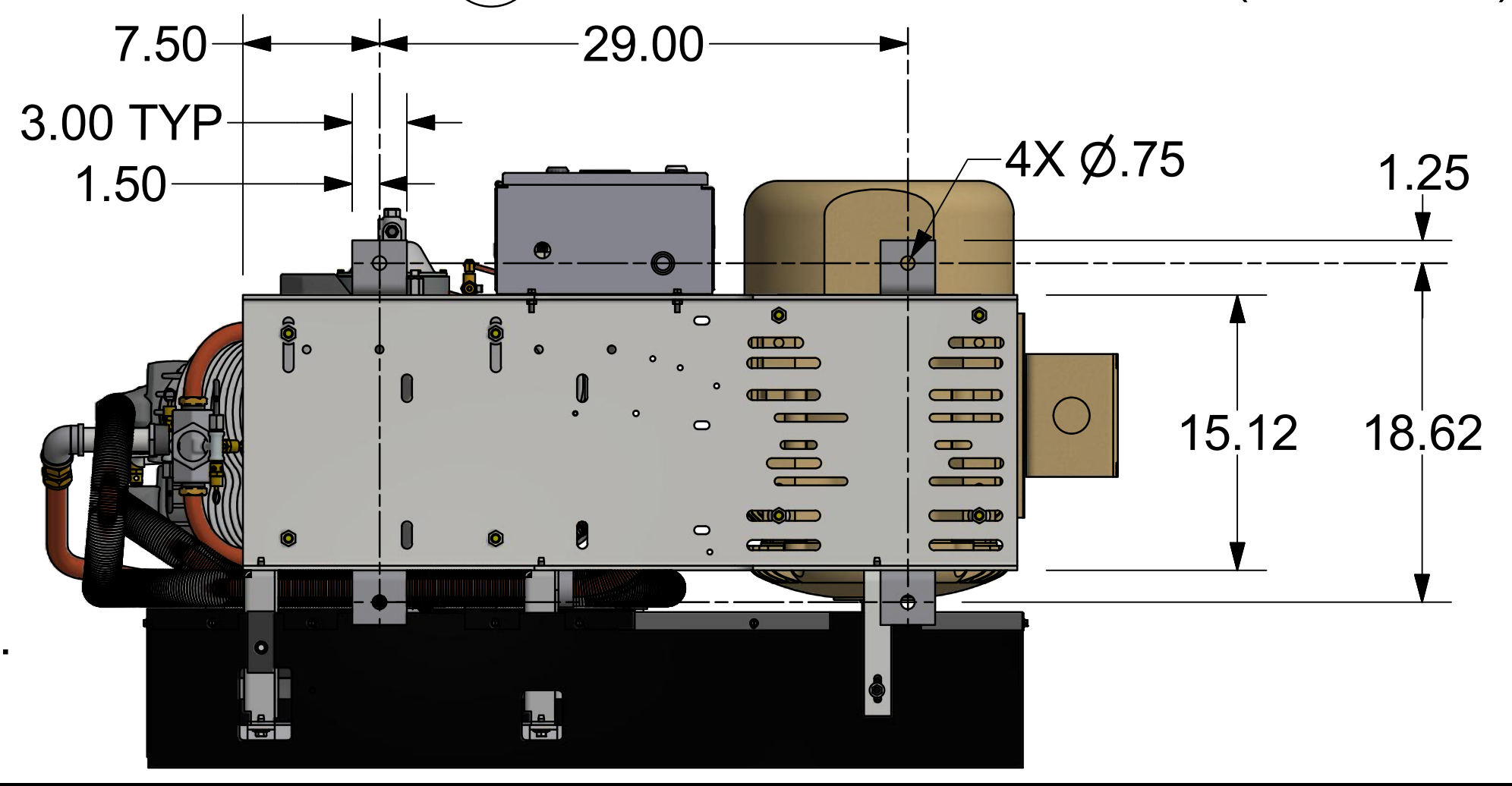
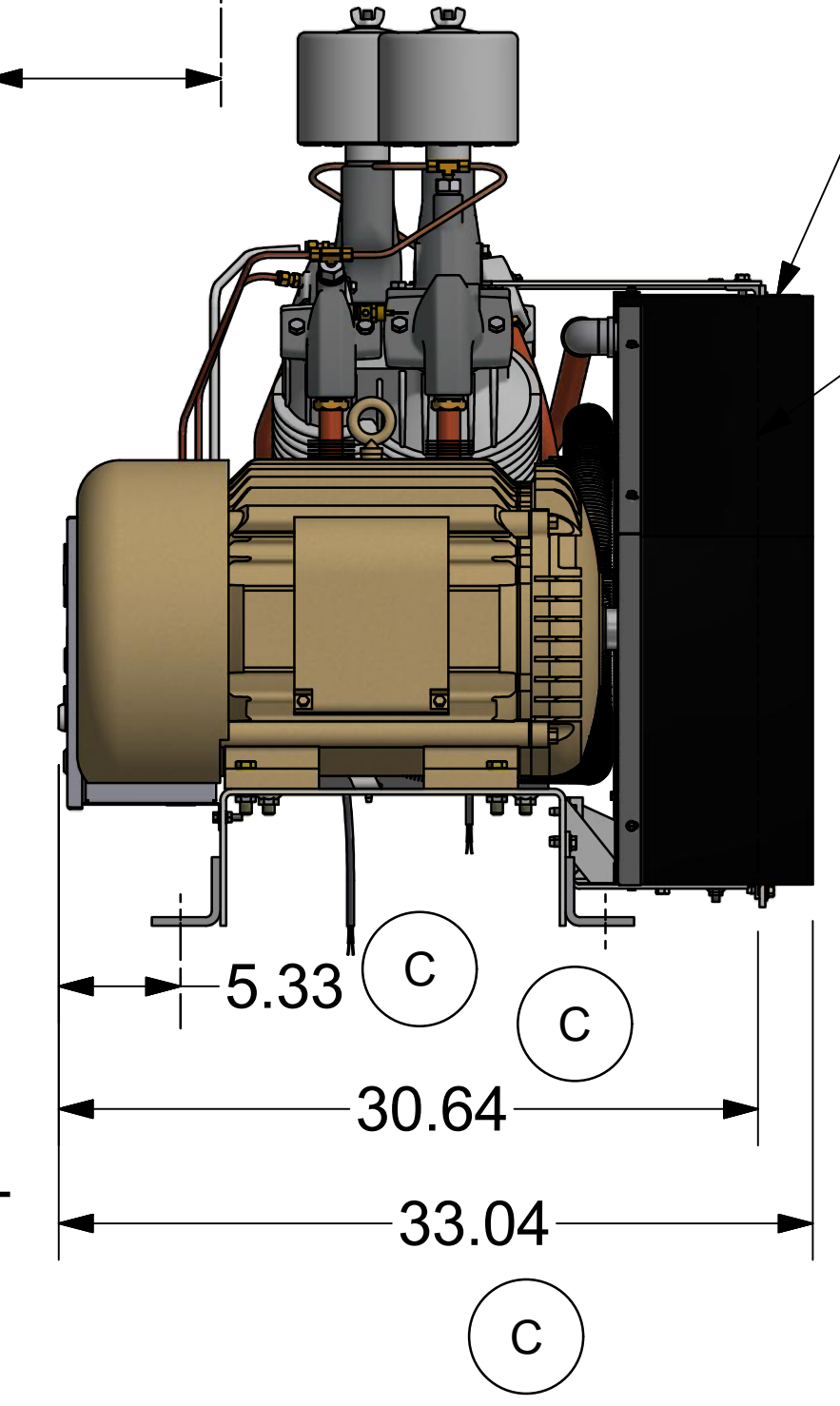
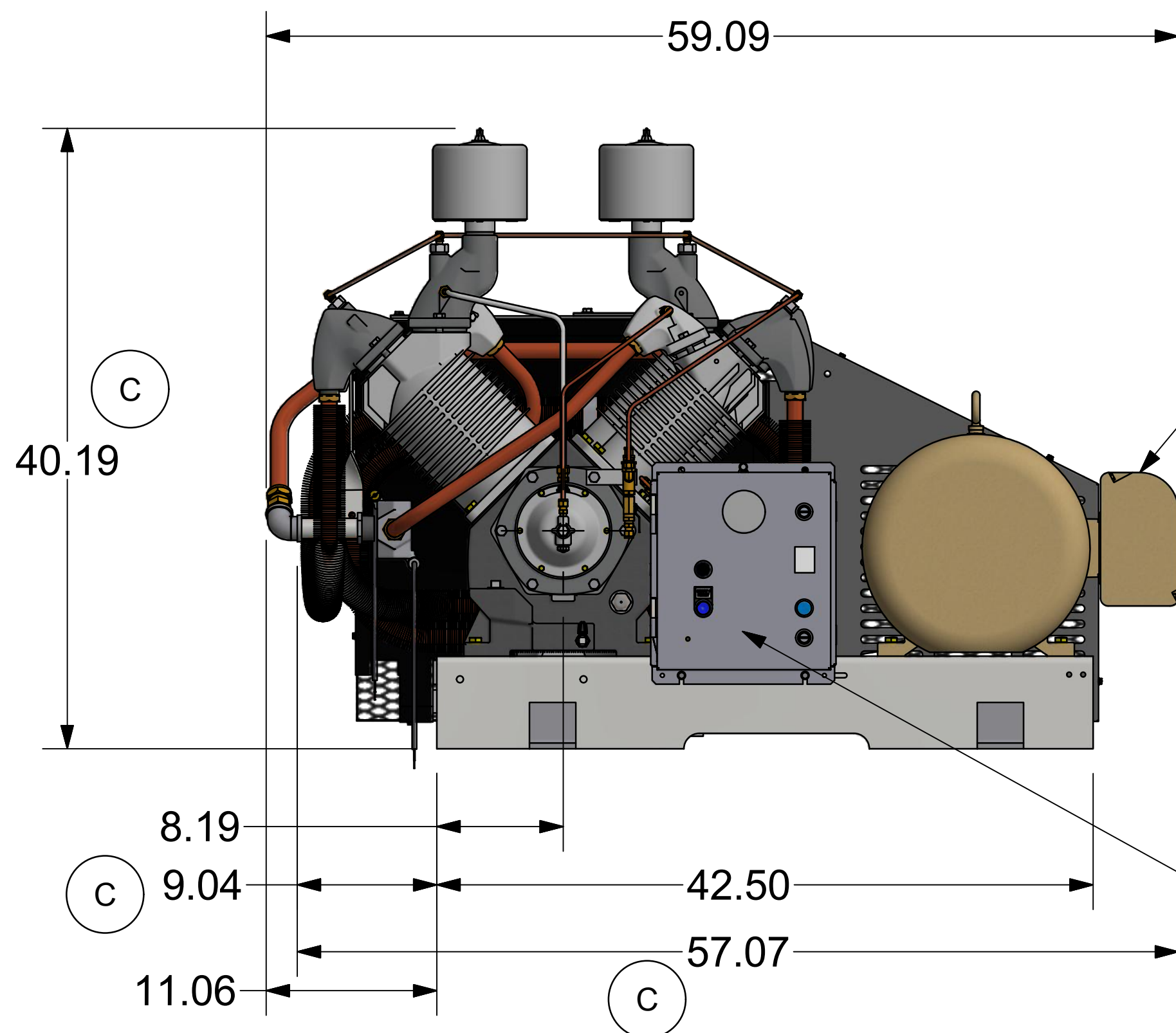
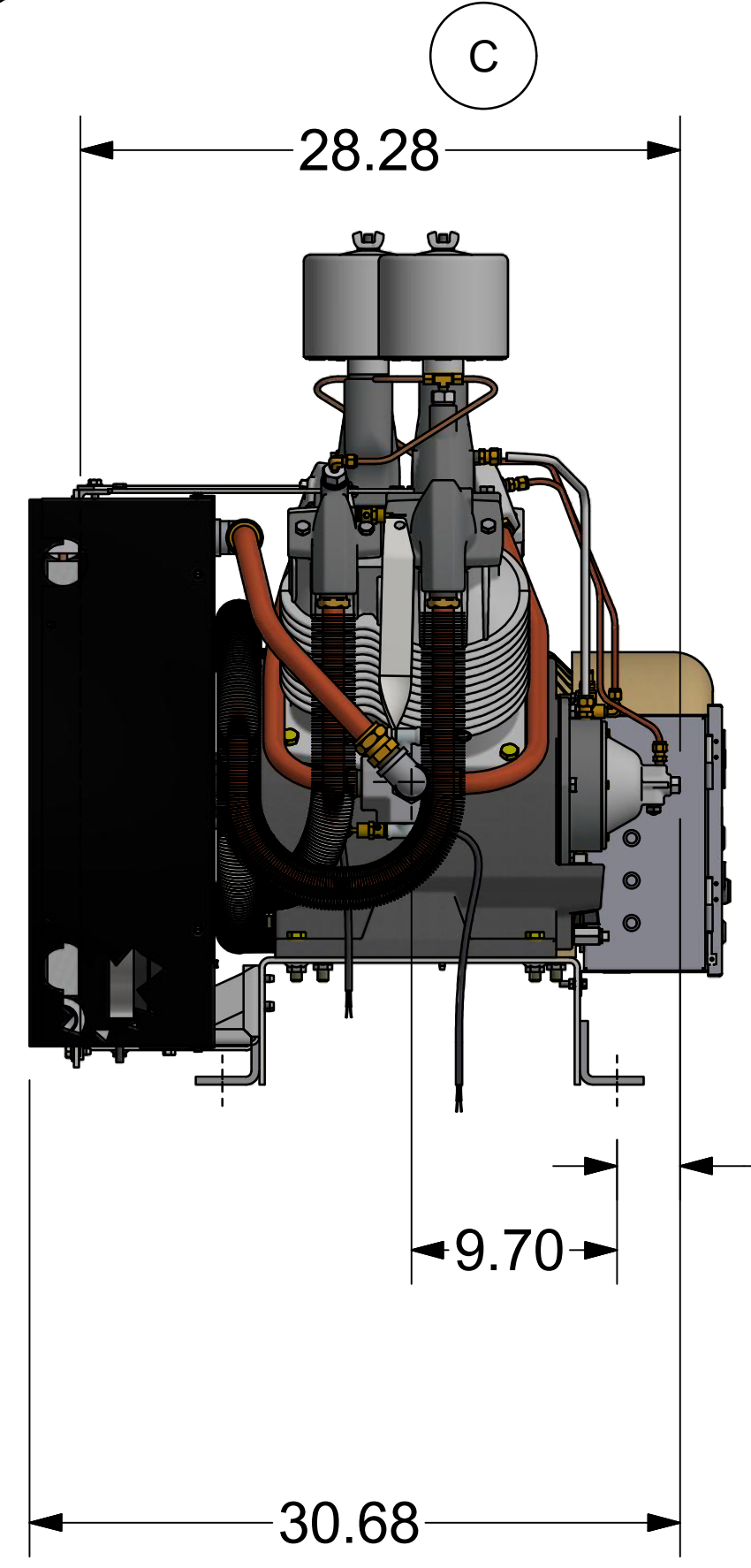


1-14 NPT  
DISCHARGE  
WITHOUT  
ACAC



AIRCOOLED AFTERCOOLER  
INSIDE BELTGUARD  
(OPTIONAL)

STANDARD BELT GUARD



- NOTES:
- DO NOT SCALE DRAWING.
  - SPECIFICATIONS AND DIMENSIONS ARE SUBJECT TO CHANGE WITHOUT NOTICE OR OBLIGATION.
  - ALL DIMENSIONS IN INCHES.
  - ADD 1.00" TO HEIGHT FOR VIBRATION ISOLATION OPTION.

FINISH OF CHAMFERS AND FILLETS TO CONFORM TO ROUGHEST ADJACENT AREA.	CONFIDENTIAL - THE INFORMATION CONTAINED IN THIS DOCUMENT IS THE PROPERTY OF GARDNER DENVER, INC. IT IS NOT FOR PUBLIC DISCLOSURE. POSSESSION OF THE INFORMATION DOES NOT CONVEY ANY RIGHT TO LOAN, SELL OR DISCLOSE THE INFORMATION. UNAUTHORIZED REPRODUCTION OR USE OF THE INFORMATION IS PROHIBITED. THIS DOCUMENT IS TO BE RETURNED TO GARDNER DENVER, INC. UPON THE COMPLETION OF THE PURPOSE FOR WHICH IT IS LOANED OR UPON REQUEST.
SURFACE ROUGHNESS MAXIMUM PER ASME B46.1. FULL THREAD DEPTHS ARE MINIMUM.	DIMENSIONING AND TOLERANCING PER ASME Y14.5-2009 THREADS PER ASME B1.1 GAGING SYSTEM 21 U.O.S., ANSI B1.20.1 & B1.20.3
UNLESS OTHERWISE SPECIFIED DIMENSIONS ARE IN INCHES	HEAT TREATMENT ENG. REF.
TOL. ON DECIMALS: .X = ± .05 TOL. ON DECIMALS: .XX = ± .02 TOL. ON DECIMALS: .XXX = ± AS SPECIFIED TOL. ON ANGLES: = ± 0°-30'	<b>Gardner Denver</b> Gardner Denver Inc. Quincy, IL.
THIRD ANGLE PROJECTION	DESCRIPTION: 0800-OUTLINE BARE UNIT <b>OUTLINE-BARE UNIT</b> BRA20,BRA25,BRA30
	DRAWN BY: KWT 1/22/2014 CHECKED BY: DA 1/22/2014
	SIZE: D SCALE: 1/8
	DWG NO: 305CAB800 SHEET: 1 OF 1
	REV: C