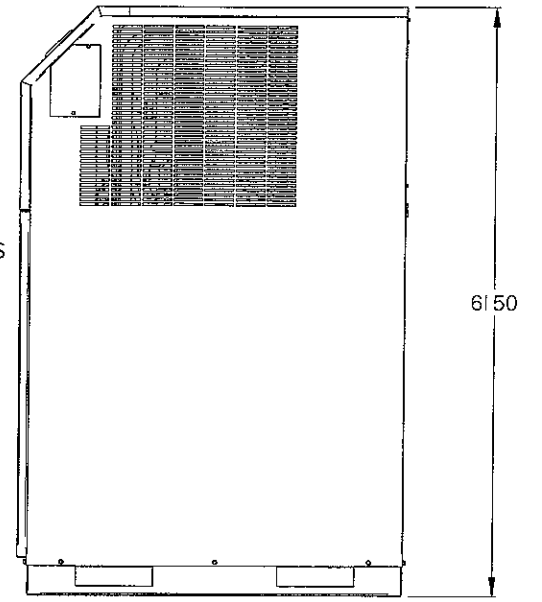
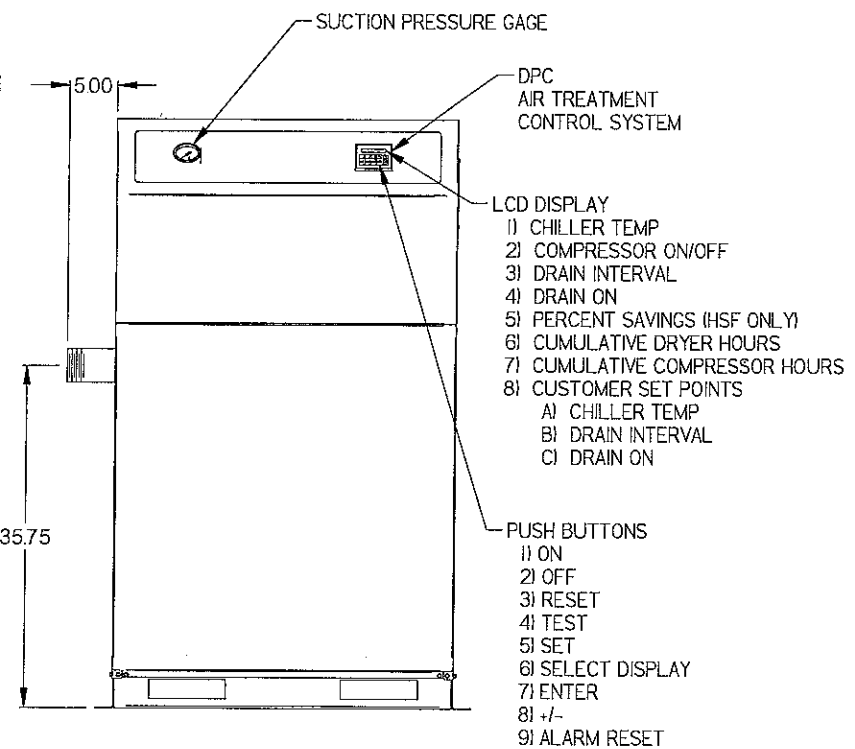
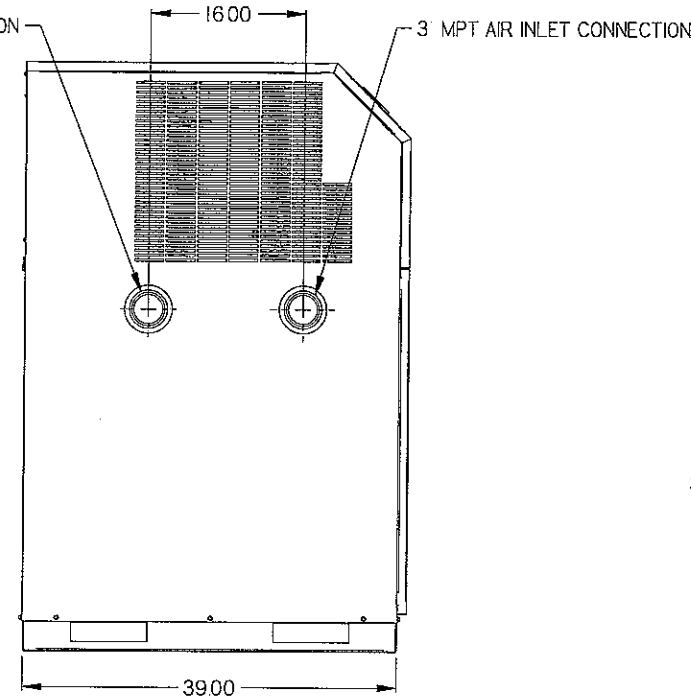
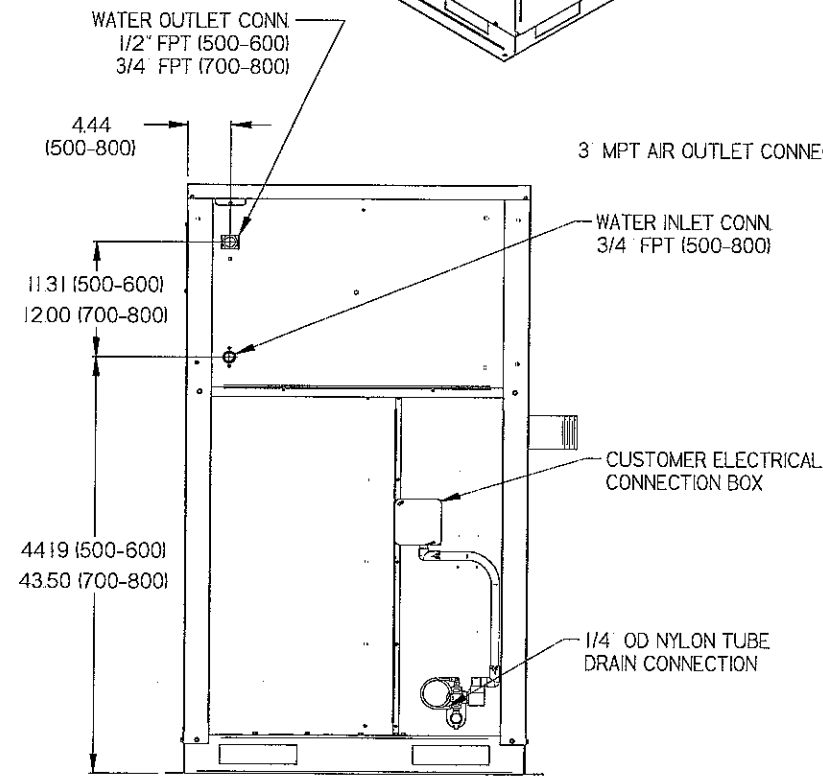
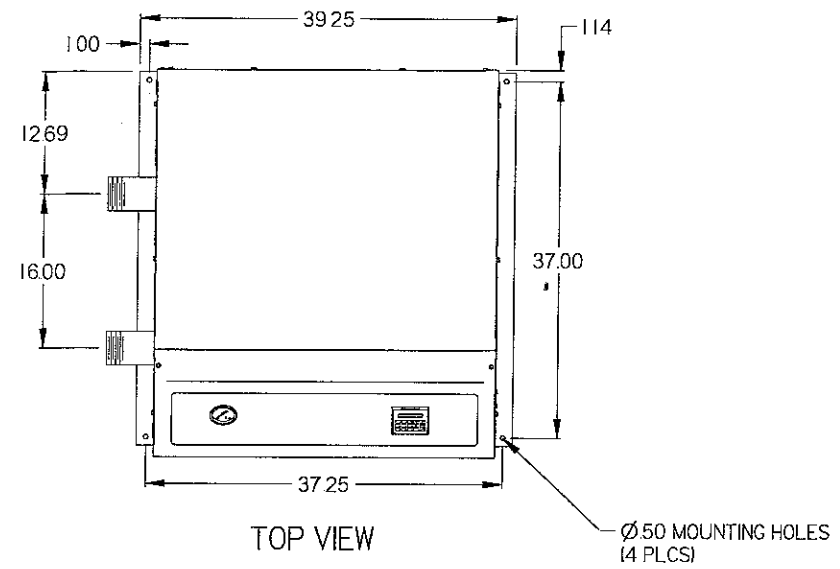
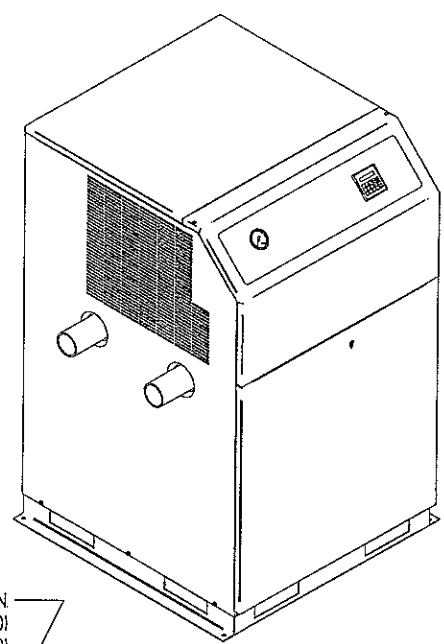


| REV | ECO | DESCRIPTION | DATE | APPROVED |
|-----|-----|---|----------|----------|
| A | | ADDED DIMENSIONS FOR WATER-COOLED CONNECTIONS | 03/15/05 | |



| <p>NOTICE: THIS DRAWING EMBODIES A CONFIDENTIAL PROPRIETARY DESIGN OWNED BY ZEKS AND ALL PATENT RIGHTS AND DESIGN AND CAN NOT BE ALTERED IN ANY WAY. MANUFACTURING THE SAME ARE EXPRESSLY RESERVED TO ZEKS. THIS DRAWING IS SUBMITTED UNDER A CONFIDENTIAL RELATIONSHIP FOR A SPECIFIED PURPOSE AND THE RECIPIENT HEREOF BY ACCEPTING THIS DRAWING ASSUMES CUSTODY THEREOF AND AGREES NOT TO DISCLOSE ANY INFORMATION REGARDING IT TO ANY UNAUTHORIZED PERSON OR TO INCORPORATE THIS PROPRIETARY DESIGN OR THE SUBSTANCE OF IT EITHER IN WHOLE OR IN PART IN ANY EQUIPMENT, NOR USE IT FOR THE MANUFACTURE OF ANY PARTS.</p> | <p>UNLESS OTHERWISE SPECIFIED DIMENSION ARE IN INCHES</p> <p>TOLERANCES ARE:</p> <table border="1"> <tr> <th>FRACTIONS</th> <th>DECIMALS</th> <th>ANGLE</th> </tr> <tr> <td>±</td> <td>.XX ± 25</td> <td>±</td> </tr> <tr> <td></td> <td>XXX ±</td> <td></td> </tr> </table> | | | FRACTIONS | DECIMALS | ANGLE | ± | .XX ± 25 | ± | | XXX ± | | <p>ZEKS COMPRESSED AIR SOLUTIONS™</p> <p>1302 Goshen Parkway West Chester, PA 19380</p> | |
|--|--|---|-------|---|----------|-------|---|----------|---|--|-------|--|--|--|
| | FRACTIONS | DECIMALS | ANGLE | | | | | | | | | | | |
| | ± | .XX ± 25 | ± | | | | | | | | | | | |
| | | XXX ± | | | | | | | | | | | | |
| <p>MATERIAL</p> | | <p>TITLE</p> <p>GENERAL ARRANGEMENT FOR 500-800 HSF/NCE WITH DPC</p> | | | | | | | | | | | | |
| <p>APPROVALS</p> <p>DRAWN: JFF</p> <p>CHECKED:</p> <p>APPROVED:</p> | | <p>DATE</p> <p>12/16/03</p> | | <p>SIZE: B</p> <p>SCALE: NTS</p> <p>SHEET: 1 OF 1</p> <p>DWG NO: 500391</p> <p>REV: A</p> | | | | | | | | | | |

