



## FEATURES

- Single stage, direct-driven
- Continuous, contactless, oil-free operation
- Energy efficient for substantial savings
- Minimal downtime
- Air-cooled, no water required
- Simple installation
- Virtually maintenance-free
- Low noise levels
- Integrated vacuum regulator
- Integrated check valve

## APPLICATIONS

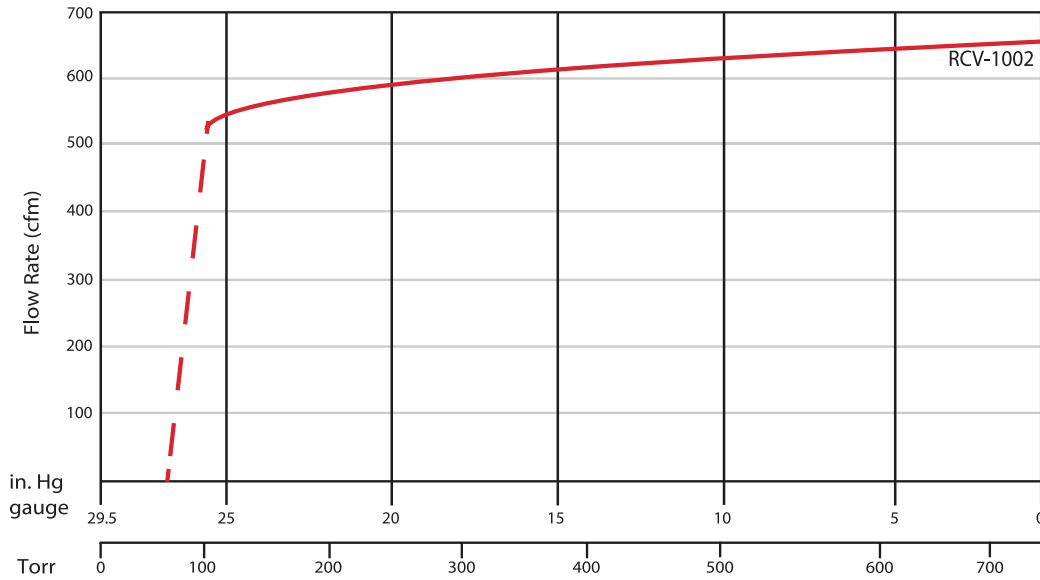
- Forming
- Dehydration
- Packaging
- Conveying
- Printing
- Environmental
- Medical
- Laboratory
- CNC vacuum hold down
- Pick & place
- Plastics

## OPTIONAL ACCESSORIES

- Inlet filter
- Vacuum gauge
- Motor starter
- Control panel
- Central systems supporting 1-6 pumps
- Non return valve
- Exhaust silencer
- **Pre-Assembled Vacuum Kit Available (KVRCV-1002):** All plumbing, filtration, check-valves, regulating valves, and gauges required for quick installation and easy maintenance.

# RCV-1002

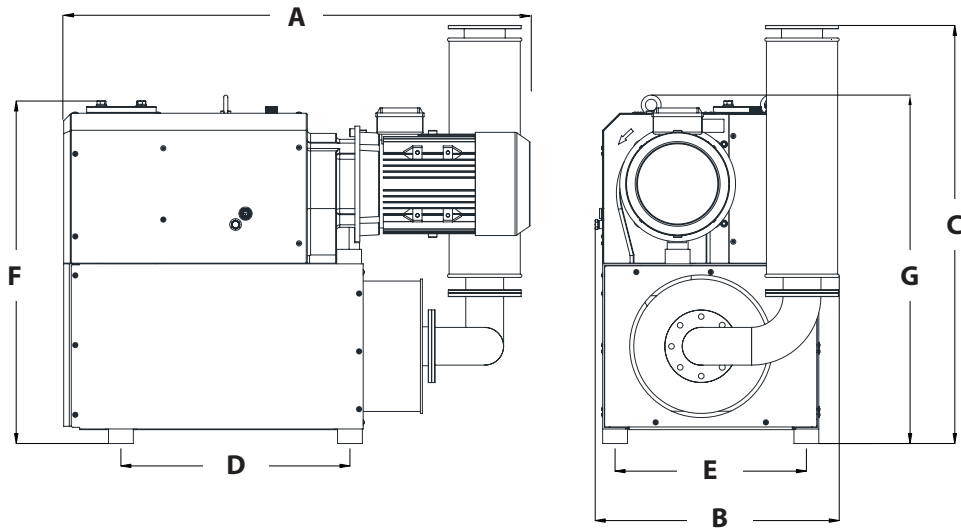
## PERFORMANCE (60HZ)



Model	Phase	Displacement (cfm)	Ultimate Continuous Vacuum (inHg/Torr)	hp	Motor Speed (RPM)	Voltage (V)	FLA	Noise Level (dBA)	Approx. Weight (lb)	Gear Oil Amt. (L)
RCV-1002	3	671	26.61/84.0	30	3450	230/460	69.0/34.5	85	1521	2.8

All measurements are ±10%. Standard motor is Class 1 Div 2.

## APPROXIMATE DIMENSIONS



Model	A	B	C	D	E	F	G	Inlet	Outlet
RCV-1002	59.6"	26.7"	40.8"	27.2"	22.8"	41.5"	49.8"	Flange DN100 PN6	Flange DN100 PN10

Please contact the factory for precise dimensions.

