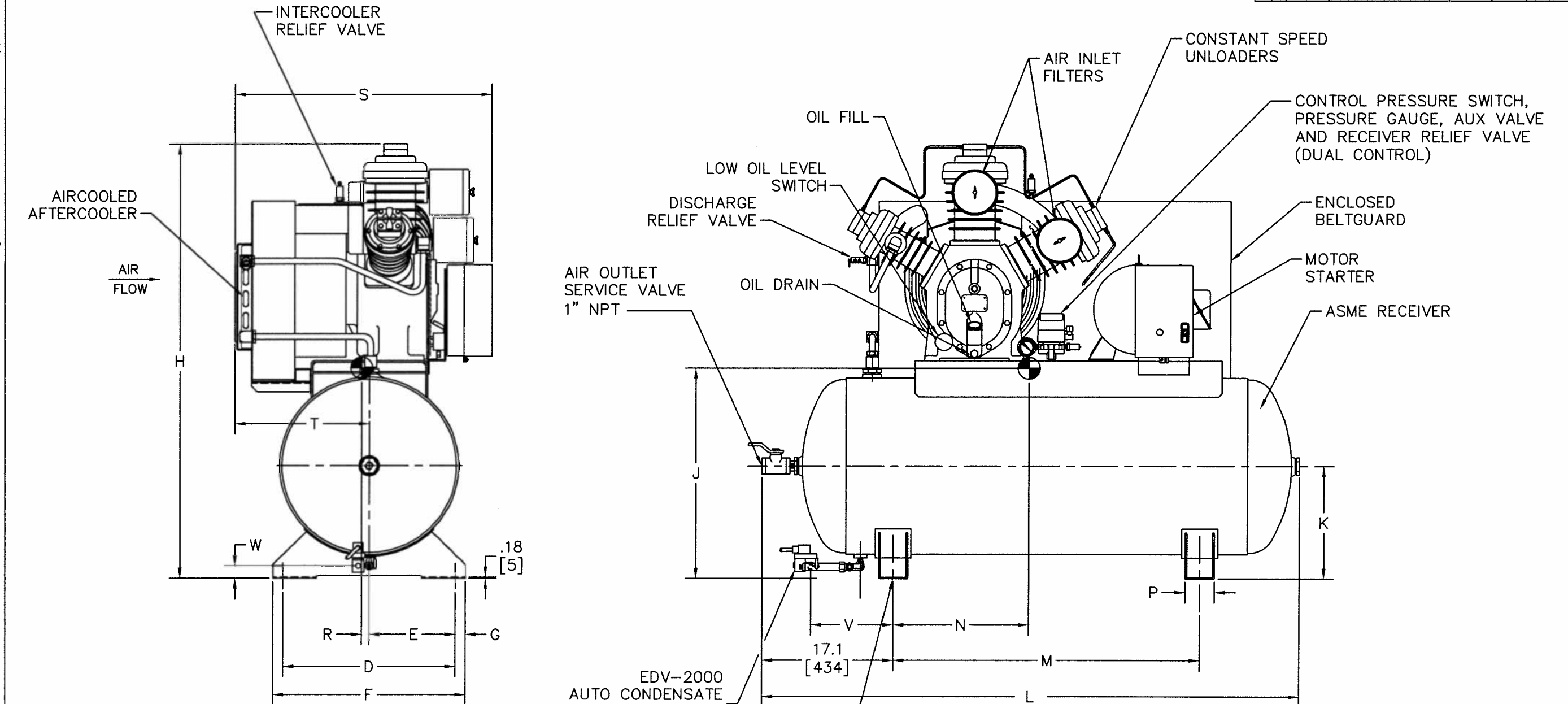


REVISIONS					
NO.	REV.	EDM	DESCRIPTION	DATE	APV
A	09R00359		INITIAL RELEASE	2009AUG17	G.LEVI J.BALLARD
B	ITS103849		1" NPT WAS 3/4" NPT	2012MAR26	C.COFFEY J.SHITH
C	ITS14.004.68		RELOCATED BALL VALVE TO LEFT END OF RECEIVER, 1" DIM 72.7[1846] WAS 70.4[1788] AND 17.1[434] WAS 16.7[424]	2014JUL09	G.LEVI J.BALLARD



- NOTES:
- FOUNDATION OR FLOOR MUST BE LEVEL AND SUPPORT ALL FEET EQUALLY; IF NECESSARY SHIM OR GROUT THE FOURTH FOOT.
 - FOUNDATION BOLTS SHOULD PROJECT THRU NUTS AT LEAST 1/2"[13] TO ALLOW FOR LEVELING.
 - ALLOW AT LEAST 12.00[305] CLEARANCE MIN. ON ALL SIDES FOR PROPER AIR CIRCULATION.
 - DIMENSIONS IN [] ARE METRIC DIMENSIONS UNLESS OTHERWISE SPECIFIED.
 - ALL UNSPECIFIED TOLERANCES: XX = ±.25[6]
X = ±.50[13]
 - THE COMPRESSOR ARRANGEMENT SHOWN IS REPRESENTATIVE OF ALL THE UNITS LISTED.

MODEL	NET WT. LBS [WT. KG]	RECEIVER		A	B	C	D	E	F	G	H	J	K	L	M	N	P	R	S	T	V	W
		SIZE IN. [SIZE mm]	GAL. [LITER]																			
15TE15	1400 [636]	24" X 87" [610 X 1702]	120 [454]	75 [19]	1.50 [38]	1/2"	23.75 [603]	11.87 [301]	26.5 [673]	1.3 [33]	61.0 [1549]	31.66 [804]	15.5 [393]	72.7 [1846]	42.00 [1067]	18.51 [470]	4.0 [101]	58 [14]	35.3 [896]	18.4 [467]	10.2 [260]	2.2 [57]
15TE20	1450 [657]	24" X 87" [610 X 1702]	120 [454]	75 [19]	1.50 [38]	1/2"	23.75 [603]	11.87 [302]	26.5 [673]	1.3 [33]	61.0 [1549]	30.81 [782]	15.5 [393]	72.7 [1846]	42.00 [1067]	15.64 [397]	4.0 [101]	43 [11]	35.3 [896]	18.4 [467]	10.2 [260]	2.2 [57]

PROPRIETARY NOTICE

THIS DOCUMENT CONTAINS CONFIDENTIAL AND TRADE SECRET INFORMATION, IS THE PROPERTY OF INGERSOLL-RAND COMPANY, AND IS GIVEN TO THE RECEIVER IN CONFIDENCE. THE RECEIVER BY RECEIPT AND RETENTION OF THE DOCUMENT ACCEPTS THE DOCUMENT IN CONFIDENCE AND AGREES THAT, EXCEPT AS AUTHORIZED IN WRITING BY INGERSOLL-RAND COMPANY, IT WILL (1) NOT USE THE DOCUMENT OR ANY COPY THEREOF OR THE CONFIDENTIAL OR TRADE SECRET INFORMATION THEREIN; (2) NOT COPY THE DOCUMENT; (3) NOT DISCLOSE TO OTHERS EITHER THE DOCUMENT OR THE CONFIDENTIAL OR TRADE SECRET INFORMATION THEREIN; AND (4) UPON COMPLETION OF THE NEED TO RETAIN THE DOCUMENT, OR UPON DEMAND, RETURN THE DOCUMENT, ALL COPIES THEREOF, AND ALL MATERIAL COPIED THEREFROM.

Copyright © 1982
Ingersoll-Rand Company
All Rights Reserved

WARNING: The export or re-export of this drawing or a product produced by this drawing is subject to U.S. Export Administration Regulations and other applicable governmental restrictions or regulations.

THIRD ANGLE PROJECTION
SCALE NONE

DRAWN G.Levi
CHECKED D.Adams
APPROVED J.Ballard

DATE 2008AUG17
DATE 2008AUG17
DATE 2008AUG17

REF. PREMIUM PACKAGES
TITLE GENERAL ARRANGEMENT
15TE15 & 15TE20
SIZE A1
DWG NO. 45469954
REV C

SHEET 1 OF 1