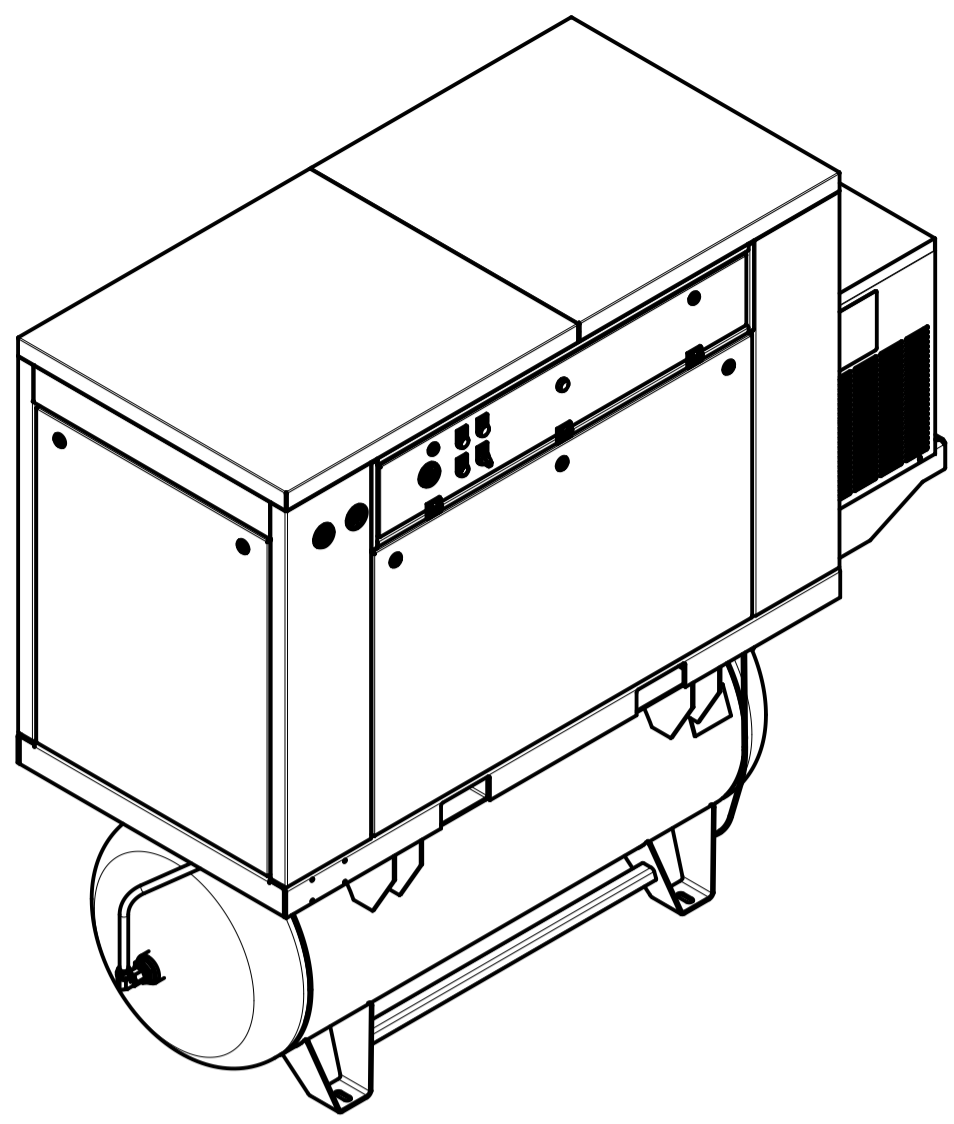
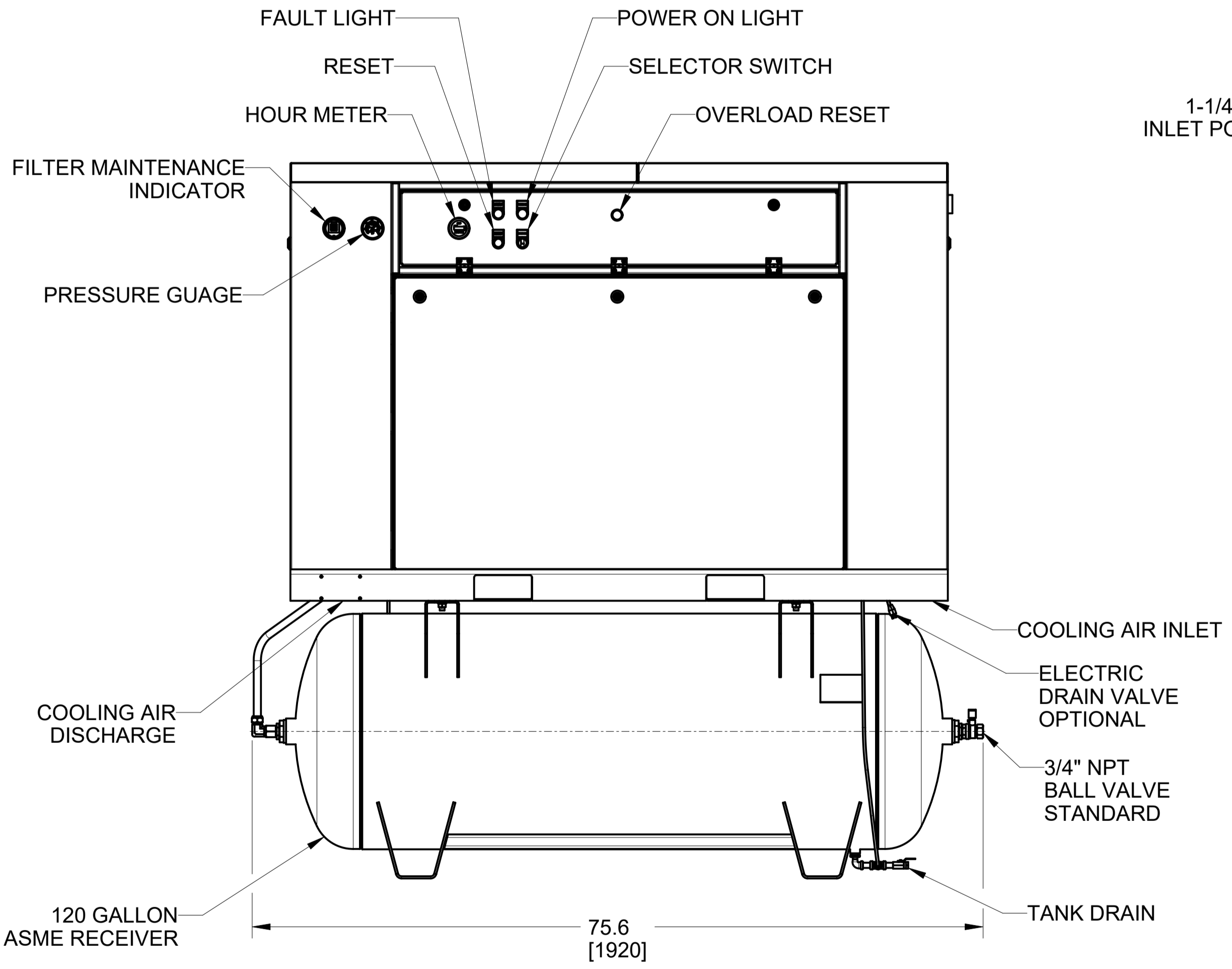
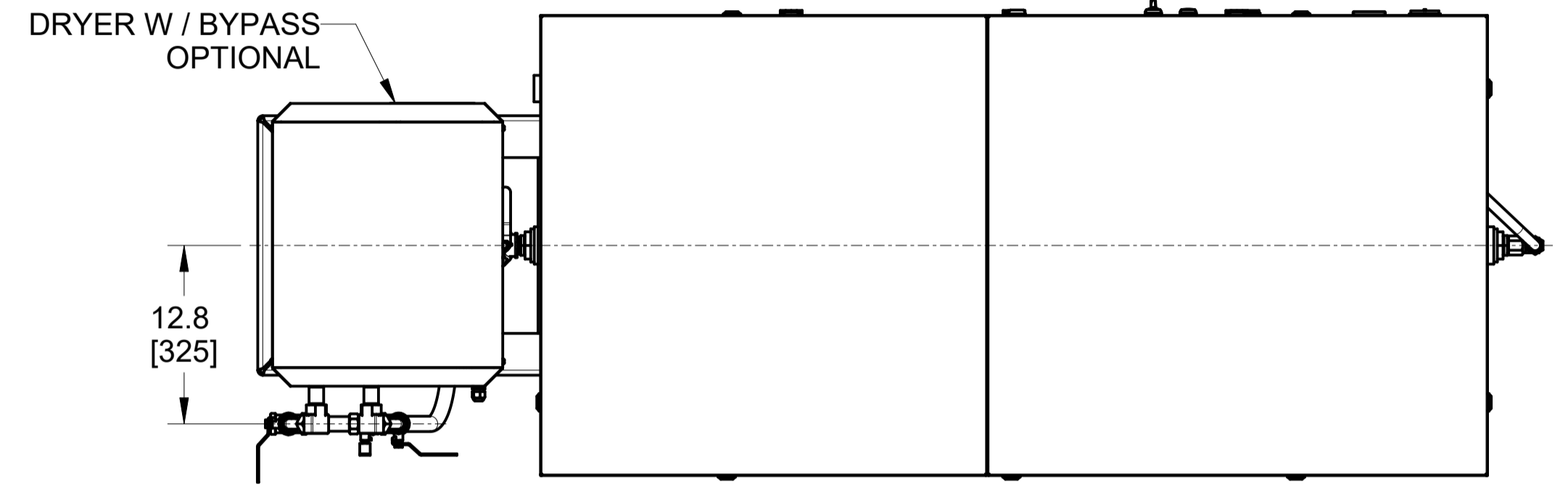


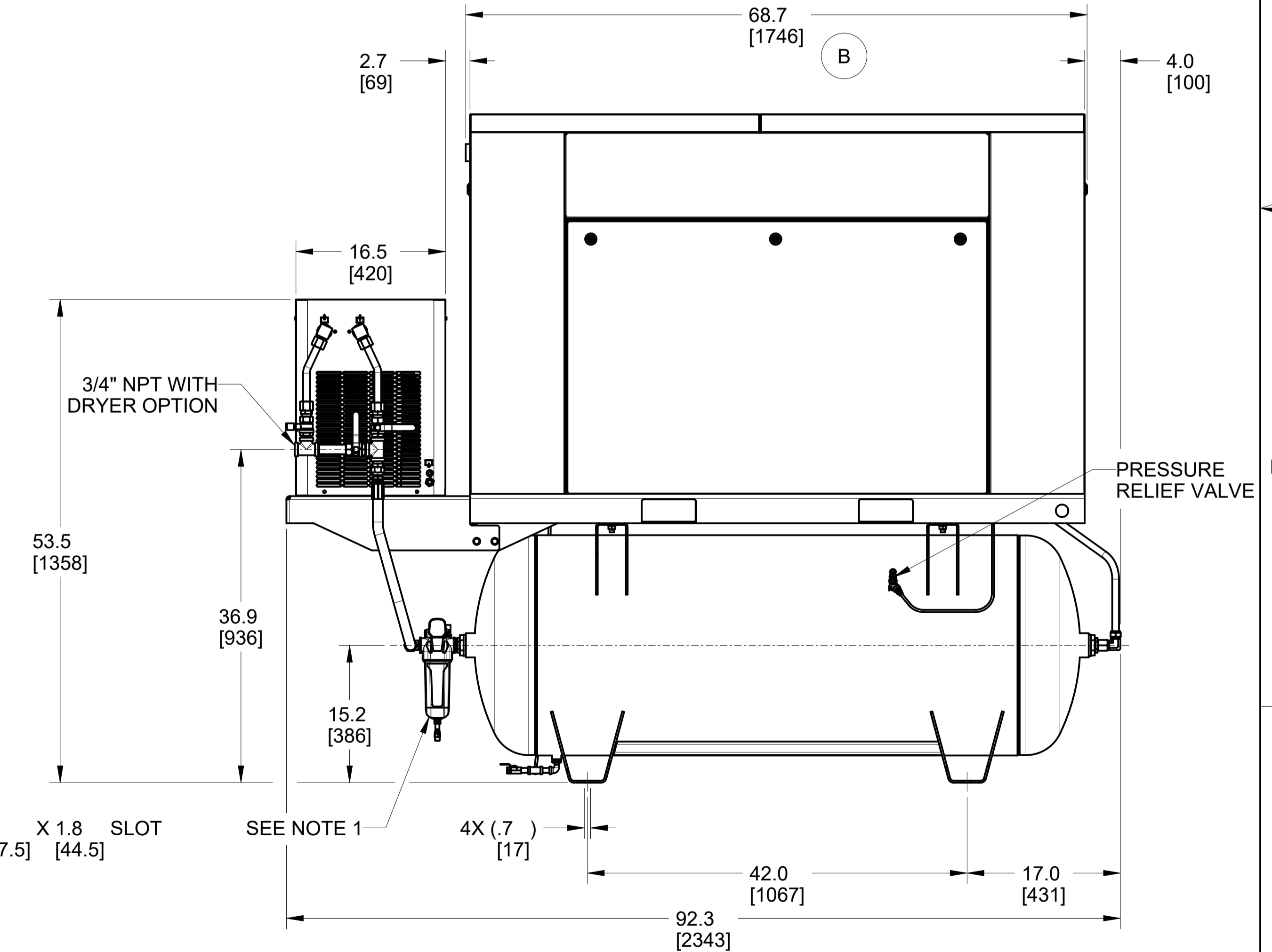
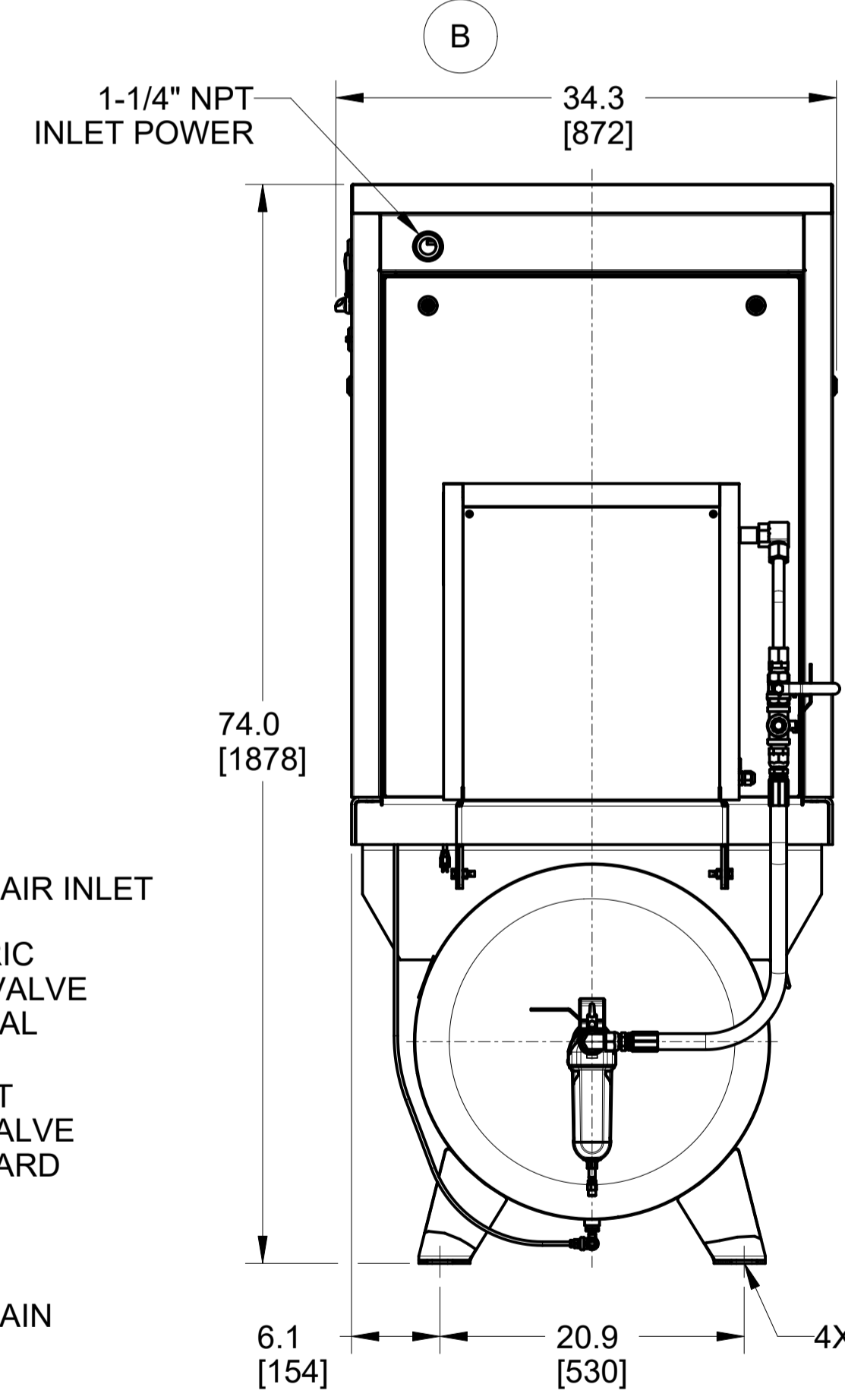
ZONE		REV	ECN	DESCRIPTION	DATE	DRAWN	APPROVED
C5	C2	B	1484278	WAS 33.0 NEW 34.3 WAS 68.0 NEW 68.7	2023APR26	G.MAST	D.MAST



SCALE 0.06
THIS VIEW IS SHOWN FOR REFERENCE ONLY



NOTE: SOME ITEMS ARE REMOVED FOR CLARITY



- NOTES:
 1. MOISTURE SEPARATOR, INCLUDE WITH DRYER OPTION ONLY.

STANDARD TOLERANCES ALL DIMENSIONS ARE IN INCHES [MILLIMETERS (IF SHOWN)] UNSPECIFIED TOLERANCES: ONE PLACE : (X) = ± .060 TWO PLACE : (XX) = ± .030 THREE PLACE : (XXX) = ± .010 ANGLES : (X) = ± 1°	WARNING: THE EXPORT OR REEXPORT OF THIS DRAWING OR A PRODUCT PRODUCED BY THIS DRAWING IS SUBJECT TO U.S. EXPORT ADMINISTRATION REGULATIONS & OTHER APPLICABLE GOVERNMENT RESTRICTIONS OR REGULATIONS. COMPANY: GARDNER DENVER PROPRIETARY NOTICE: THIS DRAWING CONTAINS CONFIDENTIAL AND TRADE SECRET INFORMATION. IS THE PROPERTY OF THE COMPANY., AND IS GIVEN TO THE RECEIVER IN CONFIDENCE. THE RECEIVER BY RECEPTION AND RETENTION OF THE DRAWING ACCEPTS THE DRAWING IN CONFIDENCE AND AGREES THAT, EXCEPT AS AUTHORIZED IN WRITING BY THE COMPANY, IT WILL (1) NOT USE THE DRAWING OR ANY COPY THEREOF OR THE CONFIDENTIAL OR TRADE SECRET INFORMATION THEREIN; (2) NOT COPY THE DRAWING; (3) NOT DISCLOSE TO OTHERS EITHER THE DRAWING OR THE CONFIDENTIAL OR TRADE SECRET INFORMATION THEREIN; AND (4) UPON COMPLETION OF THE NEED TO RETAIN THE DRAWING, OR UPON DEMAND, RETURN THE DRAWING, ALL COPIES THEREOF, AND ALL MATERIAL COPIED THEREFROM.	DO NOT SCALE DRAWING DRAWING CONFORMS TO ASME Y14.5 - 2009 CAD GENERATED DRAWING. NO MANUAL REVISIONS ALLOWED UNLESS OTHERWISE SPECIFIED: - REMOVE ALL BURRS AND SHARP CORNERS - WELD SYMBOLS TO BE IN ACCORDANCE WITH ANSI/AWS A2.4 COPYRIGHT © 2023 ALL RIGHTS RESERVED GARDNER DENVER	THIRD ANGLE PROJECTION DRAWN: A.DHANANJAYA CHECKED: G.MAST APPROVED: D.MAST DATE: 2022SEP30 DATE: 2022SEP30 DATE: 2022SEP30 DRAWING TYPE: General Arrangement Drawing NOMENCLATURE:	Gardner Denver OUTLINE, QUIET ENCLOSED 10-15 HP	NAME:
					SIZE: A1 SCALE: 0.10