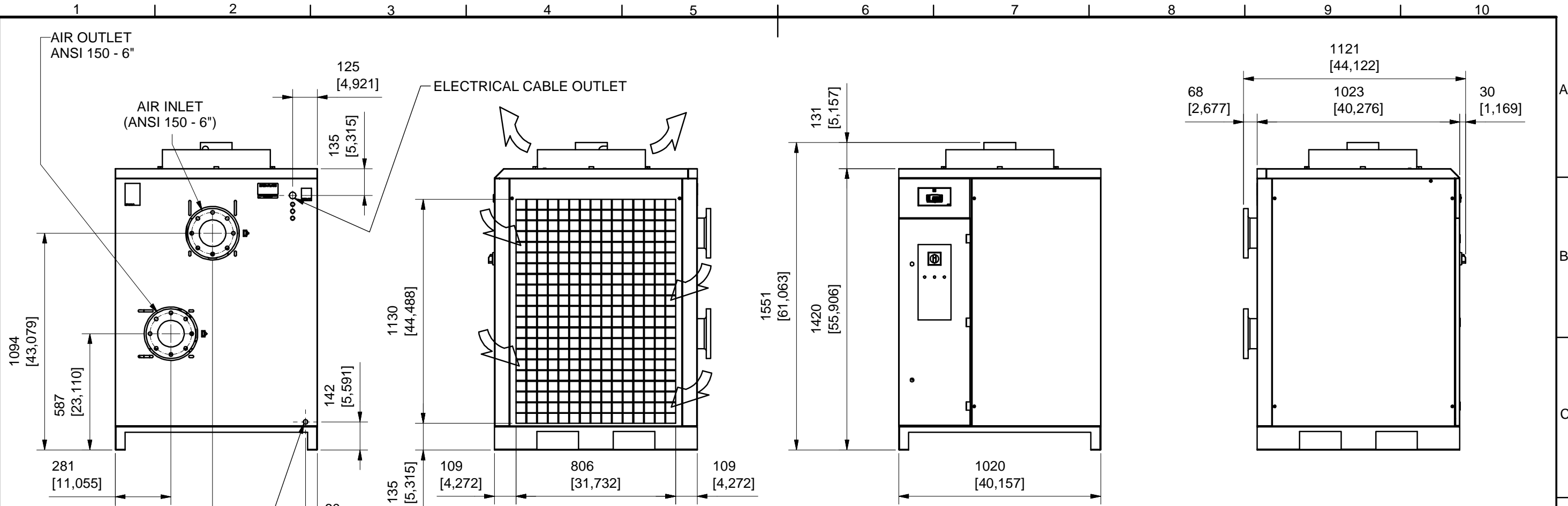
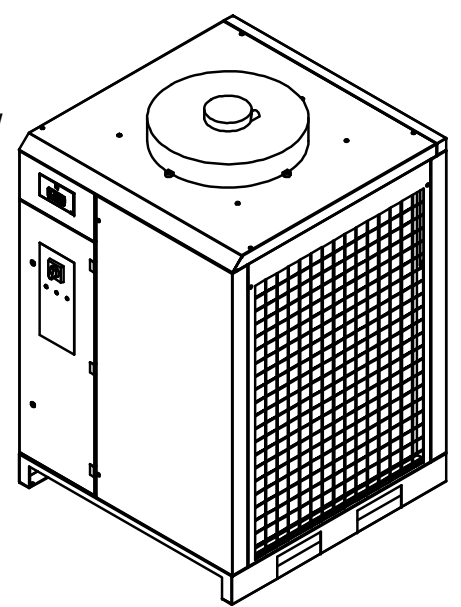
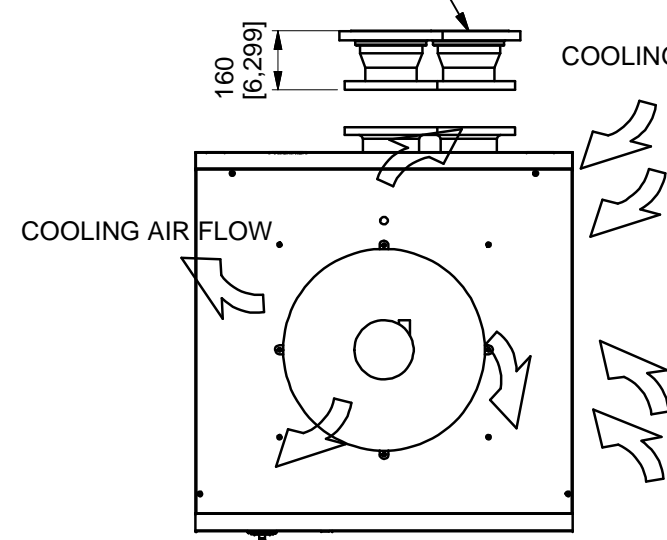
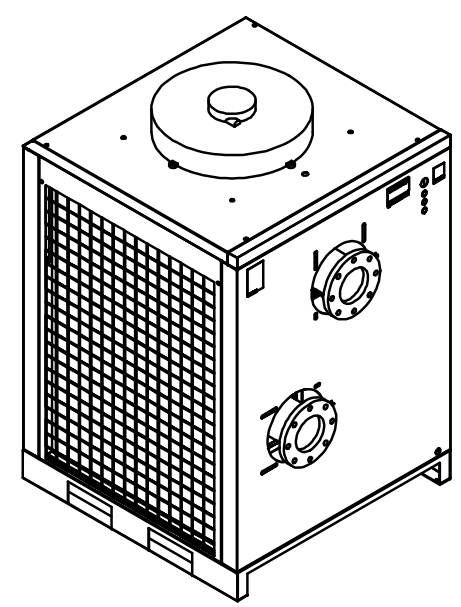


CONFIDENTIAL:

This document is our property and shall not without our permission be altered, copied, used for manufacturing or communicated to any other person or company.



FLANGED (UNI DN125 -ANSI 6") ADAPTOR (2x)



ALL DIMENSIONS: mm [inch]

All materials supplied are in compliance with the requirements of the List of Prohibited Substances

Tolerances, if not indicated, according to:									
Name DIMENS. PRODUCT					DRYER QPNC-1600				
Material NOT APPLICABLE					Secrecy Class 1102 K/ 2				
Treatment Not Applicable					INV				
Scale 1:20		Family DRYER		A3 Compare		Drawing owner CAI			
Drawn by asavio ,		Blank nr.		Replaces		STATUS			
Version Drwg 02.00		Blank wt. 0 Kg		Fini wt. 0 Kg		Designation Sheet 1 / 1			
Des checked.		Prod checked.		Approved.		Date 2010-04-30		2202961300	

02	DIG.CONTROLLER ADDED. CID25679/19-11-14. DN14 0611 49.	2014-11-26	asavio ,	2202961300	02.00
Ed	Position Gewijzigd van Modified from	Datum Date	Ingev./Goedg. Intr./Appd.	Parent 3D model	Ed . Version 3D