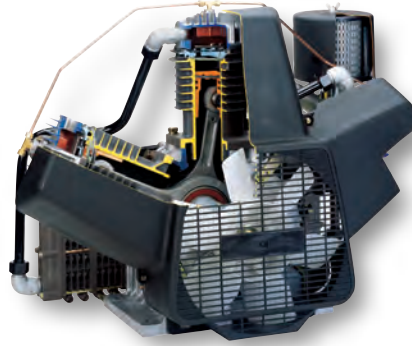
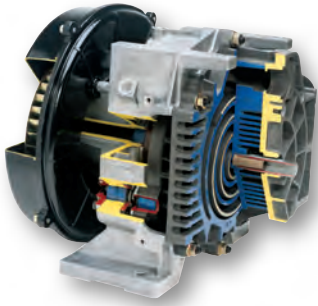




# OILLESS AIR COMPRESSORS



## Scroll Oilless 3-5 HP

### Features

- Low Noise
- Compact
- High Efficiency
- Maintenance Video
- Regreasable Bearings
- Meets NFPA-99 Applications
- Integral Cooling Fan
- Low Starting Torque
- Low Maintenance Cost
- 3 Year Warranty

### Benefits

- Point of Use Installation
- Reduced Seal Wear
- Increased Starts per Hour
- Extended Bearing Life

## Oilless 1-15 HP

### Features

- Composite Piston Technology
- Two Stage Compression
- Meets NFPA-99 Applications
- Low Annual Maintenance Cost
- Air Cooled Intercooler
- Sealed Bearings
- Grease Filled Wrist Pin
- Head Unloaders
- On Board Cooling Fan
- Corrosion Resistant
- 3 Year Warranty

### Benefits

- Low Annual Maintenance Cost
- Increased Ring Life
- Lower Operating Temperatures
- Continuous Lubrication

*Aerospace*

*Automotive*

*Chemical Processing*

*Climate Control*

*Dental*

*Environmental*

*Food Processing*

*Instrumentation*

*Laboratories*

*Manufacturing Facilities*

*Medical*

*N<sub>2</sub> Generation*

*O<sub>2</sub> Generation*

*Petrochemical*

*Pharmaceutical*

*Service Vehicles*

*Soil Remediation*



*When your pure air system demands reliability... demand Powerex's oilless air compressors.*

# ENGINEERING SPECIFICATIONS

## Scroll Oilless Pump

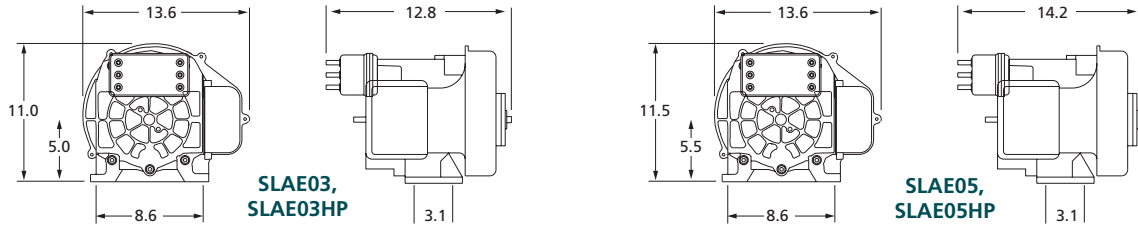
| MODEL    | HP | MAX PSIG | SCFM @ 145 PSIG | RPM @ 145 PSIG | SCFM @ 100 PSIG | RPM @ 100 PSIG | PULLEY OUTER DIAM. | DRIVE  | SHIP WEIGHT |
|----------|----|----------|-----------------|----------------|-----------------|----------------|--------------------|--------|-------------|
| SLAE03   | 3  | 115      | —               | —              | 8.8             | 3140           | 3.3                | 1GR-3V | 39 lbs.     |
| SLAE05   | 5  | 115      | —               | —              | 15.2            | 3250           | 3.7                | 2GR-3V | 52 lbs.     |
| SLAE03HP | 3  | 145      | 7.5             | 2770           | —               | —              | 3.3                | 1GR-3V | 39 lbs.     |
| SLAE05HP | 5  | 145      | 12.0            | 2820           | —               | —              | 3.7                | 2GR-3V | 52 lbs.     |

## Reciprocating Oilless Pumps

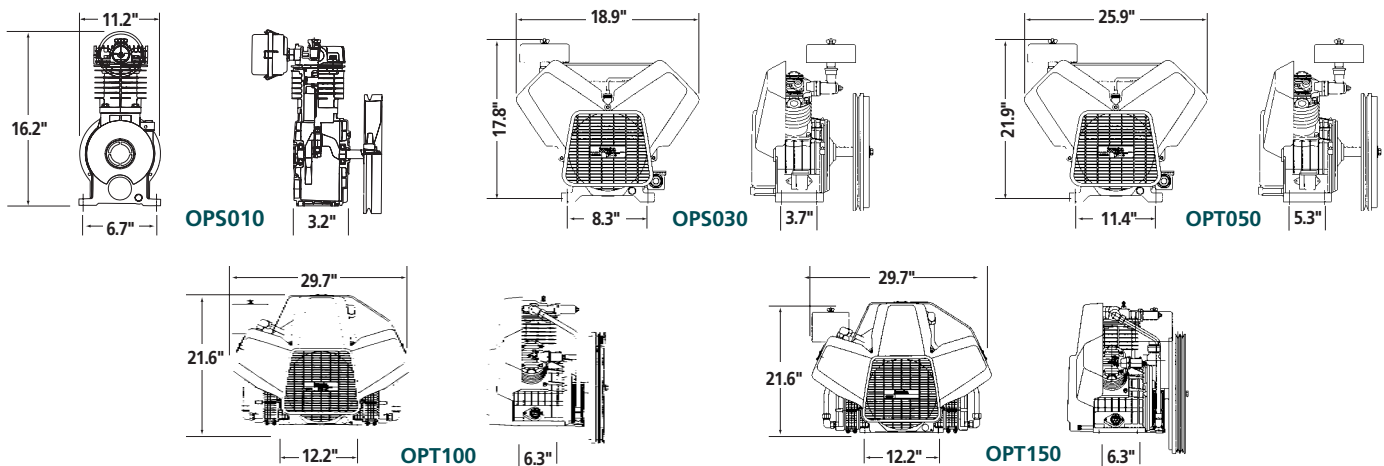
| MODEL  | HP     | MAX PSIG | SCFM @ 100 PSIG | RPM @ 100 PSIG | NUMBER/ CYLINDERS | BORE      | STROKE | FLYWHEEL OUTER DIAM. | DRIVE | SHIP WEIGHT |
|--------|--------|----------|-----------------|----------------|-------------------|-----------|--------|----------------------|-------|-------------|
| OPS010 | 1.5/1  | 145      | 5.3/3.6         | 885/625        | 1                 | 2.56      | 2.56   | 11.0                 | 1GR-A | 28 lbs.     |
| OPS030 | 3/2    | 145      | 10.1/6.6        | 1115/845       | 2                 | 2.56      | 2.36   | 13.8                 | 1GR-B | 53 lbs.     |
| OPT050 | 5      | 145      | 17.2            | 860            | 2                 | 4.13x2.95 | 3.35   | 16.9                 | 2GR-B | 110 lbs.    |
| OPT100 | 10/7.5 | 145      | 35/27.5         | 1090/855       | 3                 | 3.54x2.95 | 3.35   | 18.3                 | 2GR-B | 165 lbs.    |
| OPT150 | 15     | 145      | 47              | 1140           | 3                 | 4.13x2.95 | 3.35   | 19.6                 | 2GR-B | 170 lbs.    |

# DIMENSIONAL DRAWINGS\*

### SCROLL



### RECIPROCATING



\*Drawings for reference only.



150 Production Drive • Harrison, Ohio 45030 • U.S.A.  
 Telephone: 1-888-769-7979 • Fax: (513) 367-3125  
[www.powerexinc.com](http://www.powerexinc.com)

Distributed by:

SL302900AV 6/04