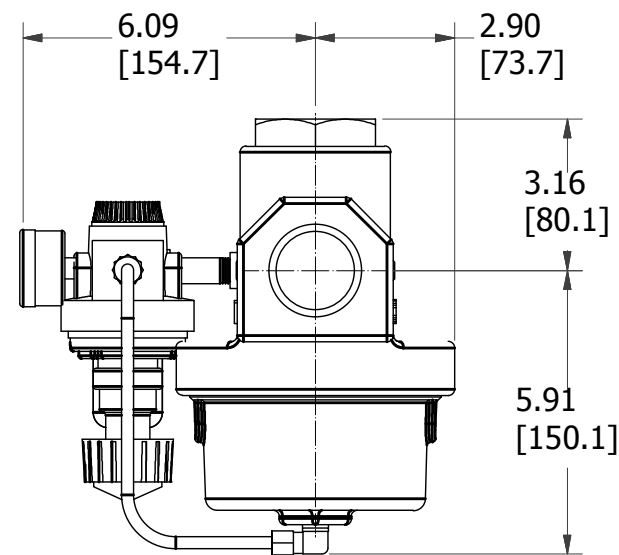
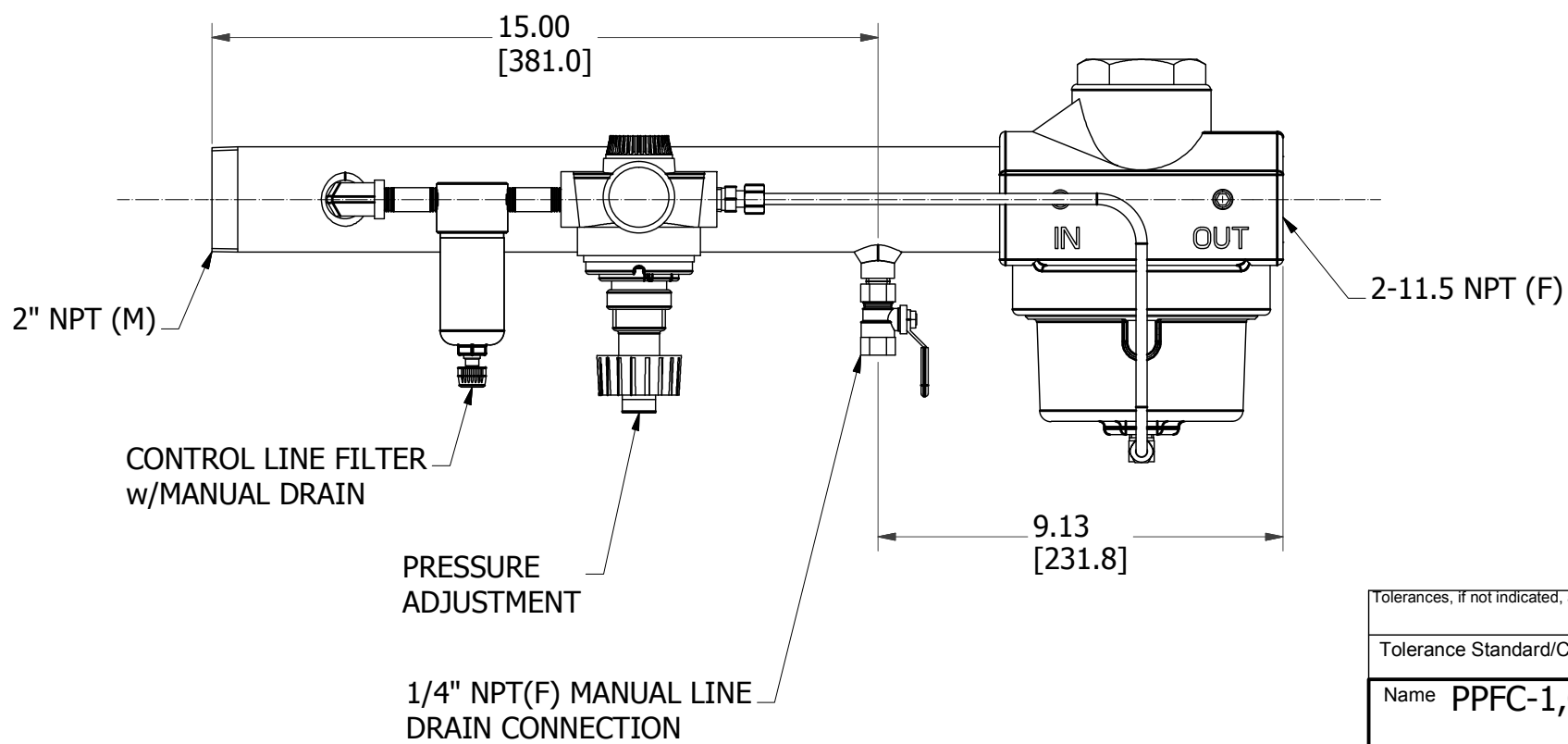
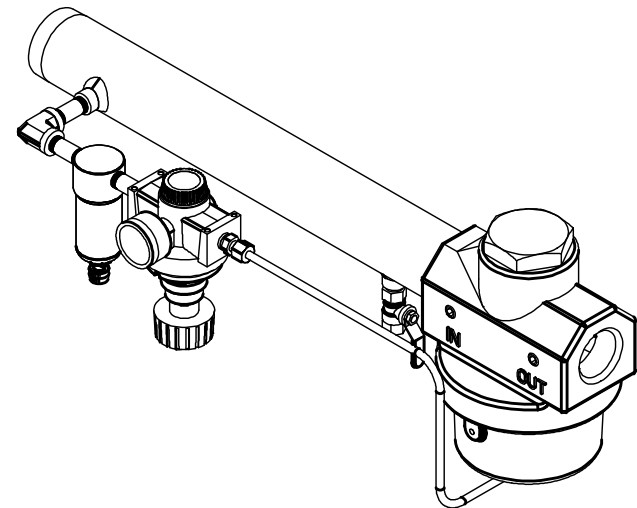
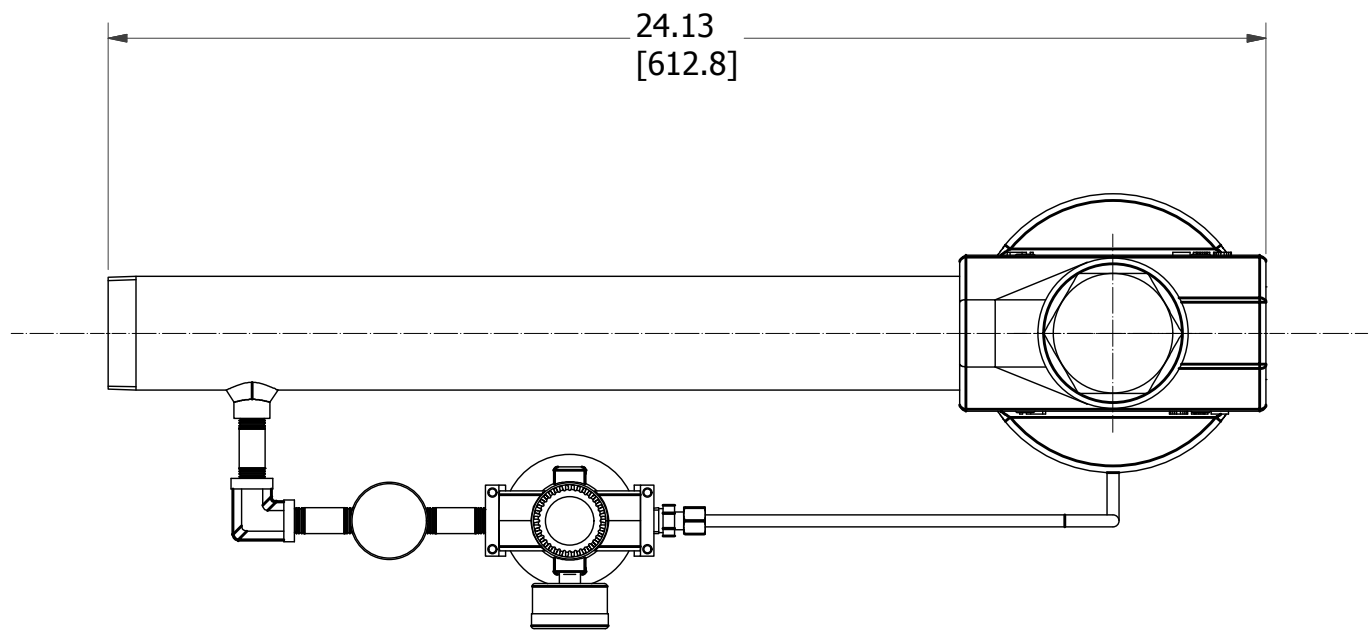


1 2 3 4 5 6 7 8 9 10



All materials supplied are in compliance with the requirements of the List of Prohibited Substances

Tolerances, if not indicated, according to:									
Tolerance Standard/Class									
Name PPFC-1,QUINCY,2X2,401966								Security Class 1102 K/	
Material Welded Steel Mild								INVENTOR	
QC Quincy Compressor	Scale		Family		B Compare		Drawing owner		
	Drawn by mbolton		Blank no.		Replaces				
STATUS	Dwg Revision 01	Blank wt	Lbs	Finish wt.	Lbs	Designation		Sheet 1 / 1	
RELEASED	Design chkd.	Product chkd.	Eng. Approved J.Z.	Date 10/15/2012	9829 2127 65				

CONFIDENTIAL

This document is our property and shall not without our permission be altered, copied, used for manufacturing or communicated to any other person or company.

REV.	POSITION	MODIFIED FROM	DATE	REV BY	APRVD BY	4103 0157 43	01
						PARENT 3D MODEL:	VERSION 3D: