

AIR PREPARATION UNITS

REGULATOR Series R1

Cat No R1 - 02 - C

AIR REGULATOR - 1/8, 1/4, 3/8, 1/2, 3/4, 1"

Features

- ❑ Conforms to ISO 6953 - 1
- ❑ Suitable for panel and modular mountings
- ❑ Non raising ' Press to Lock' adjusting knob for locking at any set pressure
- ❑ Diaphragm operated, relieving type
- ❑ Pressure compensated by Balanced poppet.
- ❑ Flow compensated in models R14, R15 and R17 (with venturi) for faster response
- ❑ Good flow and regulating characteristics.



Technical Specifications

Model	R13	R14	R15	R17	R17
Medium	Compressed air - Filtered				
Port size	NPT 1/8 (G1/8) NPT 1/4 (G1/4)	NPT 1/4 (G1/4) NPT 3/8 (G3/8)	NPT 1/4 (G1/4) NPT 3/8 (G3/8) NPT 1/2 (G1/2)	NPT 3/4 (G3/4)	NPT 1 (G1)
Pressure gauge port size	NPT 1/8 (G1/8)			NPT 1/4 (G1/4)	
Flow rate in scfm (NI / min) @	11.03 (315) 21 (600)	61.25 (1750) 87.5 (2500)	79.8 (2280) 166.74 (4764) 140 (4000)	(175) 5000	(227.5) 6000
Max supply pressure in psi (bar)	225 (15)				
Regulating pressure range in psi (bar) #	3 - 30 (0.2 - 2), 3 - 60 (0.2 - 4), 7 - 100 (0.5 - 7), 7 - 140 (0.5 - 10) (Standard)				
Ambient / Medium temperature	41° - 140° F (5° - 60° C)				
Installation	Any position				
Materials of construction	Aluminium, Brass, Steel, Acetal, SS, Nitrile				
Optional accessories *	Clamp, Modular mounting kit, Pressure gauge				
Weight in lb (Kg)	0.33 (0.15)	0.88 (0.40)	1.98 (0.90)	3.09 (1.4)	2.87 (1.3)

@ Supply pressure 100 psi (7 bar) , Set pressure 85 psi (6 bar), Pressure drop $\Delta p = 14.5$ psi (1bar) (For standard models)

For details see " How to order "

* For details refer optional accessories Cat No APA - 02 - C

Precautions

1. Note the direction of flow before installation and connect piping accordingly.
2. Flush pipings for dirt, dust, rust and other foreign particles.
3. Install in clean atmosphere.
4. Nipples of taper threads (R) to be used with teflon tape. Ensure teflon tape does not enter the unit during tightening.
Nipples of straight threads (G) to be used with sealing washer.

Pressure Setting

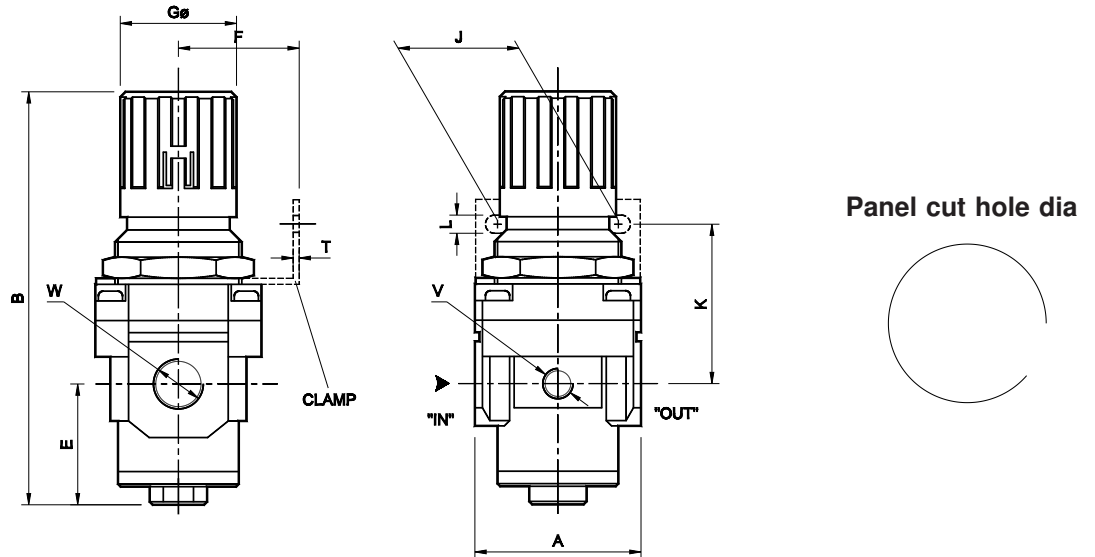
Pull the knob and adjust by turning the knob clockwise to increase the pressure. Push the knob back to its locked position.
(Turning the knob counter clockwise will reduce the pressure)

AIR PREPARATION UNITS

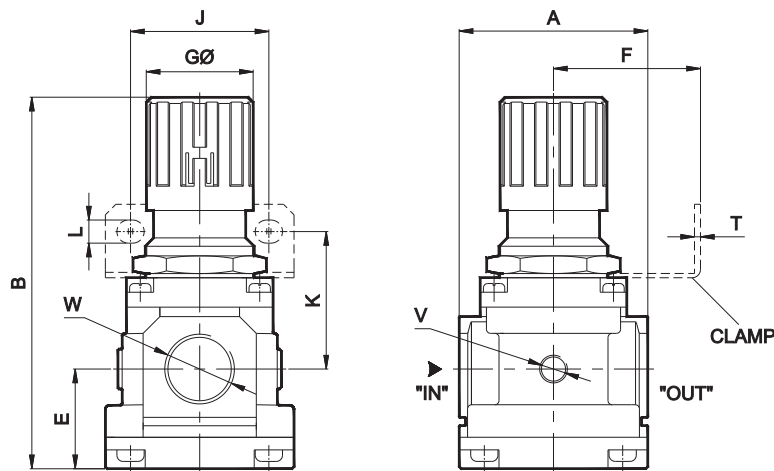
REGULATOR Series R1

Cat No R1 - 02 - C

Model R13, R14, R15



Model R17



Model	W	V		A	B	E	F	GØ	J	K	L	T	ØM
R13	NPT 1/8 (G1/8) NPT 1/4 (G1/4)	NPT 1/8 (G1/8)	Inch (mm)	SQ 1.575 (40)	3.189 (81)	0.512 (13)	1.181 (30)	1.102 (28)	1.102 (28)	1.771 (45)	0.216 (5.5)	0.079 (2)	1.22 (31)
R14	NPT 1/4 (G1/4) NPT 3/8 (G3/8)	NPT 1/8 (G1/8)	Inch (mm)	SQ 2.165 (55)	5.315 (135)	1.575 (40)	1.574 (40)	1.574 (40)	1.574 (40)	2.087 (53)	0.256 (6.5)	0.079 (2)	1.693 (43)
R15	NPT 1/4 (G1/4) NPT 3/8 (G3/8) NPT 1/2 (G1/2)	NPT 1/8 (G1/8)	Inch (mm)	SQ 2.756 (70)	6.496 (165)	1.575 (40)	1.968 (50)	2.008 (51)	2.165 (55)	2.441 (62)	0.335 (8.5)	0.079 (2)	2.087 (53)
R17	NPT 3/4 (G3/4)	NPT 1/4 (G1/4)	Inch (mm)	SQ 3.543 (90)	6.969 (177)	1.87 (47.5)	2.756 (70)	2.008 (51)	2.598 (66)	2.560 (65)	0.433 (11)	0.197 (5)	2.087 (53)
R17	NPT 1 (G1)	NPT 1/4 (G1/4)	Inch (mm)	SQ 3.543 (90)	6.969 (177)	1.87 (47.5)	2.756 (70)	2.008 (51)	2.598 (66)	2.560 (65)	0.433 (11)	0.197 (5)	2.087 (53)

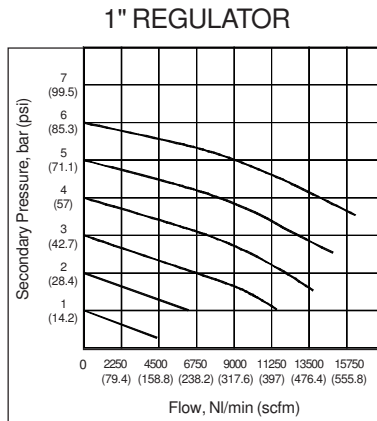
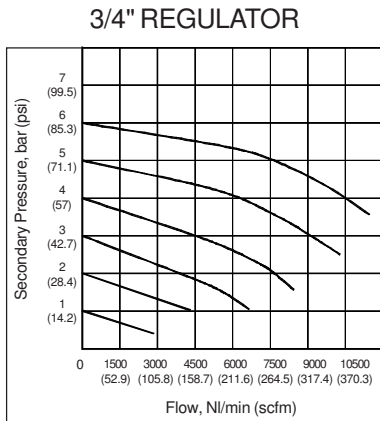
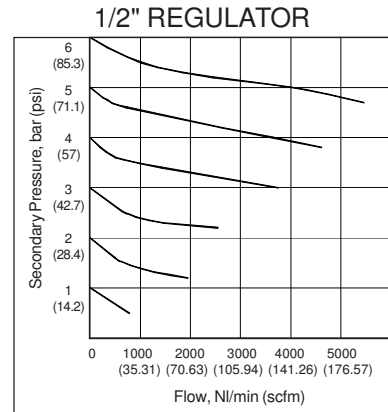
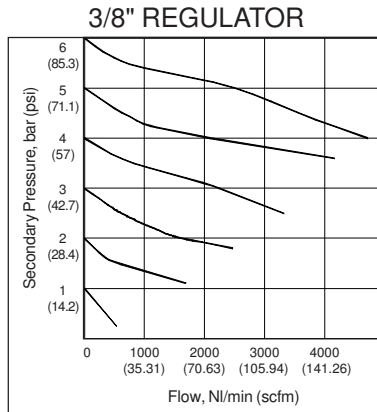
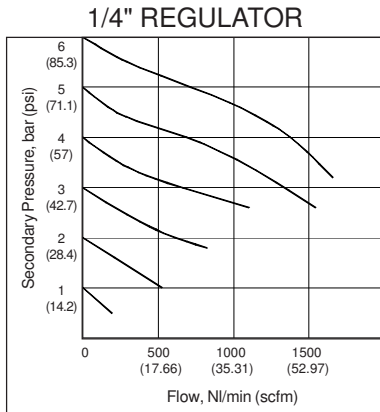
For Details of Clamp see optional accessories Cat No APA - 02 - C

AIR PREPARATION UNITS

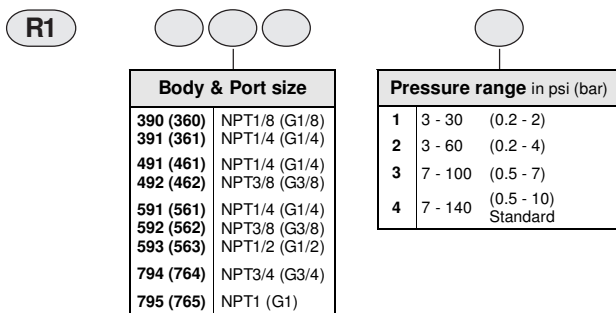
REGULATOR Series R1

Cat No R1 - 02 - C

Flow Graphs



How to order



Ordering Example :- Regulator - 3/8 size (with NPT 3/8 (G3/8) port), with pressure range 7 - 100 psi:
Ordering No : R1492 (1462) 3.

If ordered as 3/8 Regulator, our standard model R1492 (1462) 4, NPT 3/8 with pressure range 7 - 140 psi will be supplied.

- For safety instructions, please refer instruction manual IS - R1 - 2 - 01

Subject to change