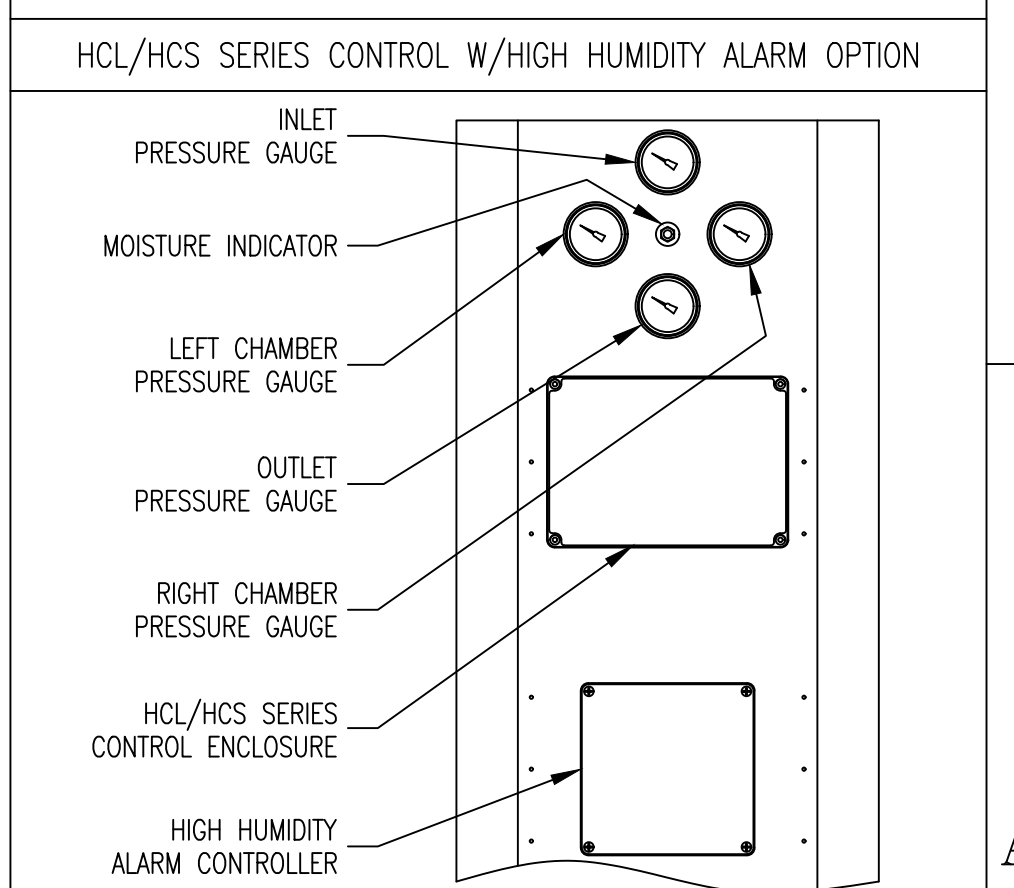
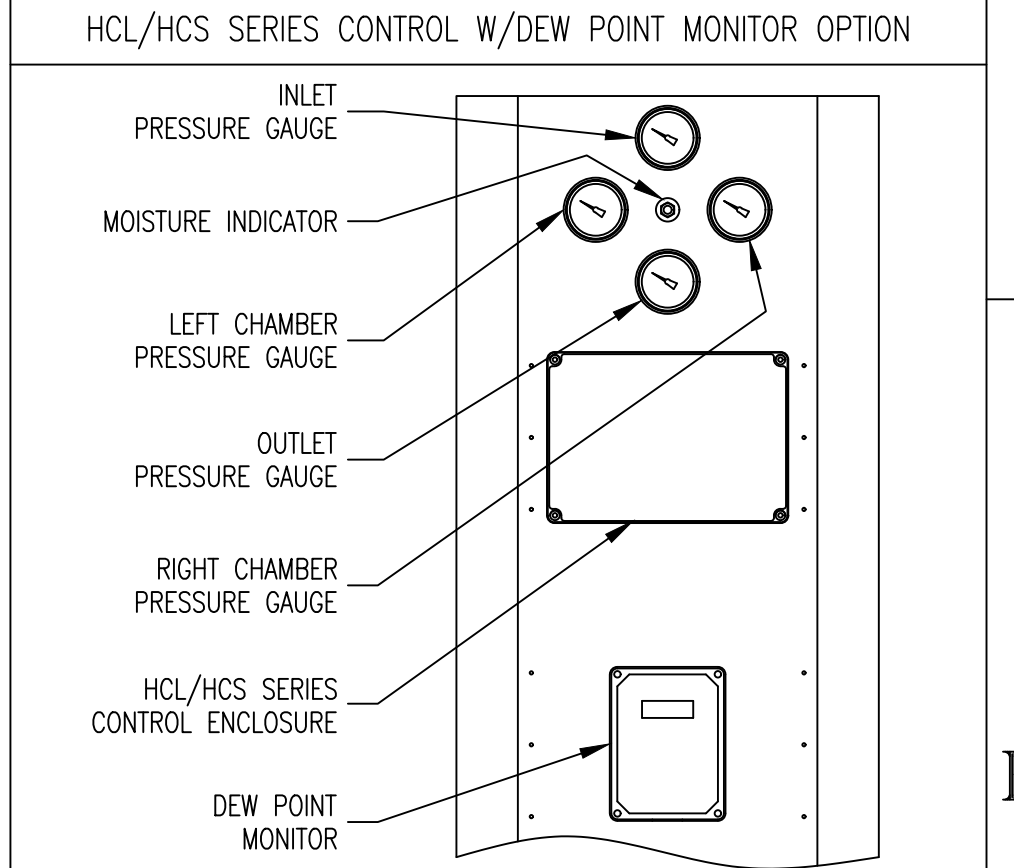
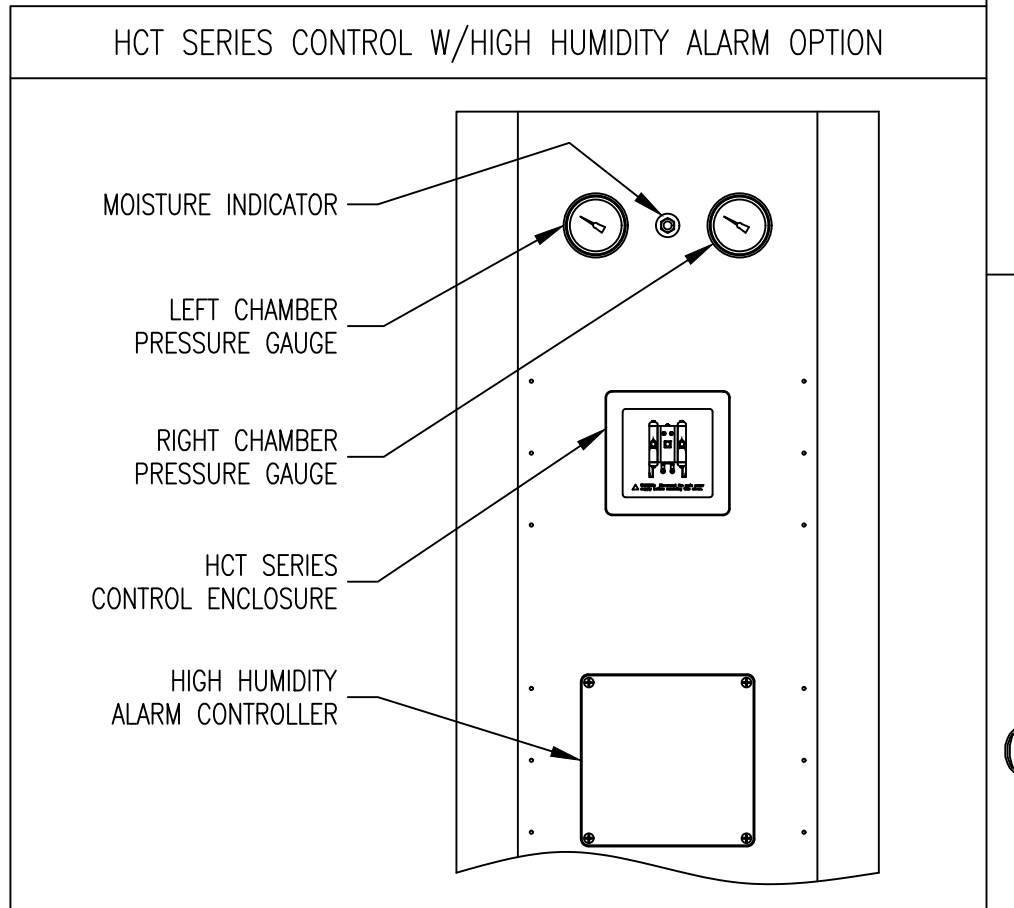
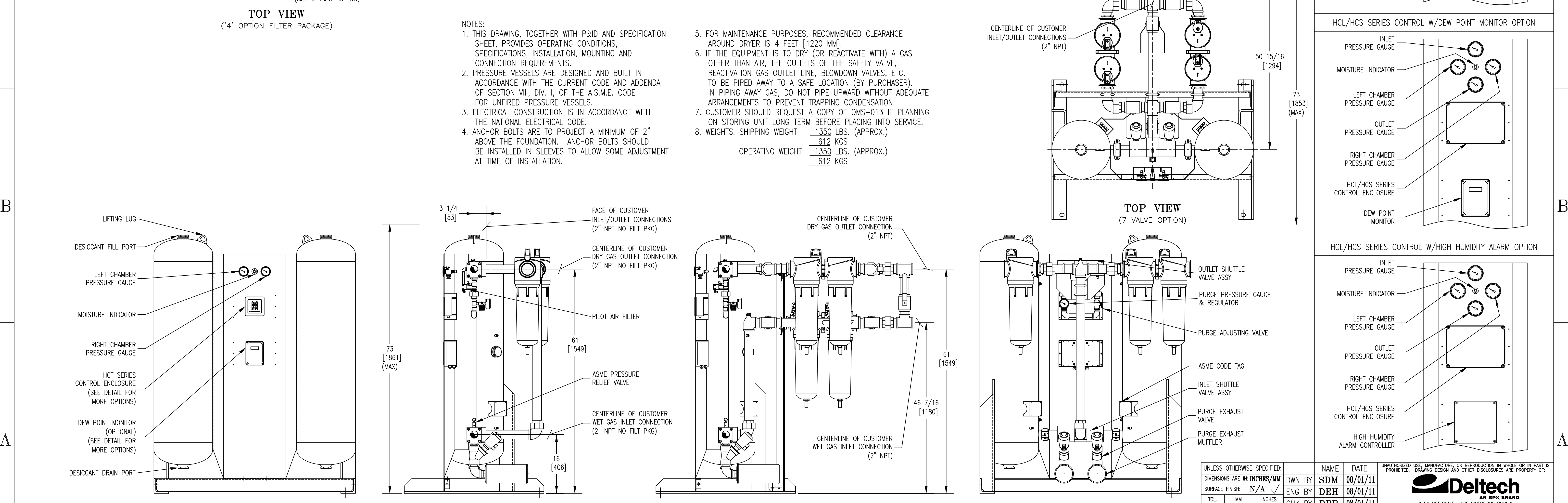


- NOTES:**
- THIS DRAWING, TOGETHER WITH P&ID AND SPECIFICATION SHEET, PROVIDES OPERATING CONDITIONS, SPECIFICATIONS, INSTALLATION, MOUNTING AND CONNECTION REQUIREMENTS.
 - PRESSURE VESSELS ARE DESIGNED AND BUILT IN ACCORDANCE WITH THE CURRENT CODE AND ADDENDA OF SECTION VIII, DIV. 1, OF THE A.S.M.E. CODE FOR UNFIRED PRESSURE VESSELS.
 - ELECTRICAL CONSTRUCTION IS IN ACCORDANCE WITH THE NATIONAL ELECTRICAL CODE.
 - ANCHOR BOLTS ARE TO PROJECT A MINIMUM OF 2" ABOVE THE FOUNDATION. ANCHOR BOLTS SHOULD BE INSTALLED IN SLEEVES TO ALLOW SOME ADJUSTMENT AT TIME OF INSTALLATION.
 - FOR MAINTENANCE PURPOSES, RECOMMENDED CLEARANCE AROUND DRYER IS 4 FEET [1220 MM].
 - IF THE EQUIPMENT IS TO DRY (OR REACTIVATE WITH) A GAS OTHER THAN AIR, THE OUTLETS OF THE SAFETY VALVE, REACTIVATION GAS OUTLET LINE, BLOWDOWN VALVES, ETC. TO BE PIPED AWAY TO A SAFE LOCATION (BY PURCHASER). IN PIPING AWAY GAS, DO NOT PIPE UPWARD WITHOUT ADEQUATE ARRANGEMENTS TO PREVENT TRAPPING CONDENSATION.
 - CUSTOMER SHOULD REQUEST A COPY OF QMS-013 IF PLANNING ON STORING UNIT LONG TERM BEFORE PLACING INTO SERVICE.
 - WEIGHTS: SHIPPING WEIGHT 1350 LBS. (APPROX.)
612 KGS
OPERATING WEIGHT 1350 LBS. (APPROX.)
612 KGS



UNLESS OTHERWISE SPECIFIED:		NAME	DATE	AUTHORIZED USE, MANUFACTURE, OR REPRODUCTION IN WHOLE OR IN PART IS PROHIBITED. DRAWING DESIGN AND OTHER DISCLOSURES ARE PROPERTY OF: * DO NOT SCALE. USE DIMENSIONS ONLY *	
DIMENSIONS ARE IN: INCHES/MM		DWN BY	SDM		08/01/11
SURFACE FINISH: N/A ✓		ENG BY	DEH		08/01/11
TOL. MM INCHES		CHK BY	DBR		08/01/11
.X .XX .XXX		APP BY	MPS		08/01/11
FRACT: ±1/2 ANG: ±2° SCALE: 5/64 WT: N/A		REL BY	SDM	08/01/11	
		CAT NO.			
		ID NO.			

GENERAL ARRANGEMENT
HCS/HCL/HCT 450

SIZE DWG. NO. D 0059308-450 REV. SHEET 1/1