
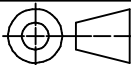


UNLESS OTHERWISE SPECIFIED DIMENSIONS ARE IN INCHES TOL. ON FRACTIONS: \pm 1/16"					DRAWN BY: KWH DATE: 2/19/08		 Deltech deltech-spx.com			
TOL. ON DECIMALS: \pm (2 PLACE)					CHECKED BY: DDB DATE: 2/20/08					TITLE: DHP1250-3000 GENERAL ARRANGEMENT (AIR COOLED / WATER COOLED)
TOL. ON DECIMALS: \pm (3 PLACE)					APPROVED BY: DDB DATE: 2/20/08		SIZE: B	MATL:	DWG. NO.: GA03DEL-0032	REV. B
TOL. ON ANGLES: \pm 1°					THIRD ANGLE PROJECTION		SCALE: NONE		EST. WT.	SHEET 1 OF 2
REVISION HISTORY (\triangle INDICATES LATEST REVISION)										
REV.	DESCRIPTION	BY	DATE	APPROVED						
B	ADD SWITCH IMAGE & NOTE PER ECF-101015-KWH-01	KWH	10/15/10	DDB						
A	REVISED TABLE / NOTE PER ECF-080612-DDB-01	DDB	6/12/08	DDB						

4

3


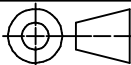
2

1

ENGINEERING DATA				
MODELS	DHP1250	DHP1750	DHP2000	DHP3000
AIR SYSTEM DATA				
MAXIMUM / MINIMUM INLET AIR PRESSURE	725-PSIG (50-BARG) / 15-PSIG (1.0-BARG)			
MAXIMUM / MINIMUM INLET AIR TEMPERATURE	120°F (49°C) / 40°F (4°C)			
MAXIMUM / MINIMUM AMBIENT AIR TEMPERATURE	AIR COOLED: 110°F (43°C) / 40°F (4°C); WATER COOLED: 130°F (54°C) / 40°F (4°C)			
NOMINAL FLOW @ RATED CONDITIONS	1250-SCFM (2124-m ³ /hr)	1750-SCFM (2973-m ³ /hr)	2000-SCFM (3398-m ³ /hr)	3000-SCFM (5097-m ³ /hr)
DIM "X" - COOLING WATER I/O CONNECTIONS	3/4-14 NPT (FEMALE)	1-14 NPT (FEMALE)	1 1/4-11.5 NPT (FEMALE)	
DIM "Y" - AIR I/O CONNECTIONS	3"-8 NPT (MALE) / Rc 3"-11 BSPT (MALE)			

NOTE - RATED CONDITIONS: 60-HZ, 725-PSIG, 100°F INLET AND 100°F AMBIENT.

SERVICE CLEARANCE DATA				
MODELS	DHP1250	DHP1750	DHP2000	DHP3000
REQUIRED SERVICE CLEARANCE				
FRONT PANEL	36-IN (914-mm)			
RIGHT SIDE PANEL	36-IN (914-mm)			
LEFT SIDE PANEL	36-IN (914-mm)			
BACK PANEL	6-IN (152-mm)			

					UNLESS OTHERWISE SPECIFIED DIMENSIONS ARE IN INCHES TOL. ON FRACTIONS: ± 1/16" TOL. ON DECIMALS: ± (2 PLACE) TOL. ON DECIMALS: ± (3 PLACE) TOL. ON ANGLES: ± 1'	DRAWN BY: KWH DATE: 2/19/08	 deltech-spx.com
B	REVISE PAGE 1 PER ECF-101015-KWH-01	KWH	10/15/10	DDB	TOL. ON DECIMALS: ± (2 PLACE) TOL. ON DECIMALS: ± (3 PLACE) TOL. ON ANGLES: ± 1'	CHECKED BY: DDB DATE: 2/20/08	
A	REVISED TABLE / NOTE PER ECF-080612-DDB-01	DDB	6/12/08	DDB	THIRD ANGLE PROJECTION	APPROVED BY: DDB DATE: 2/20/08	SIZE B
REV.	DESCRIPTION	BY	DATE	APPROVED			DWG. NO. GA03DEL-0032
REVISION HISTORY (△ INDICATES LATEST REVISION)							REV. B
							SCALE: NONE
							EST. WT.
							SHEET 2 OF 2

4

3

2

1