

4

3

2

1

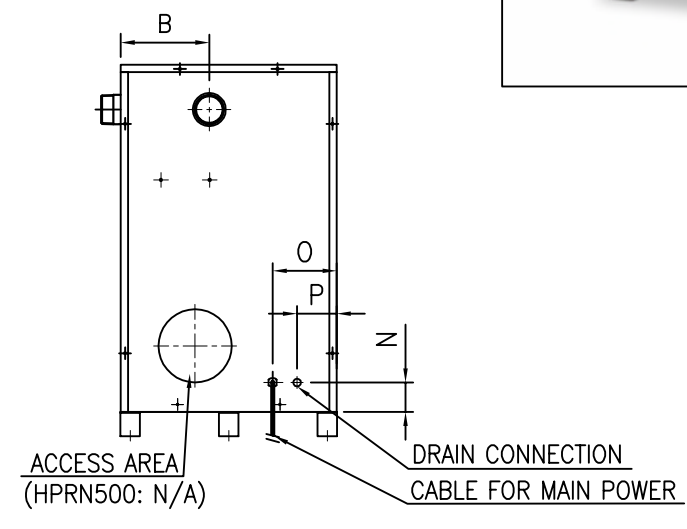
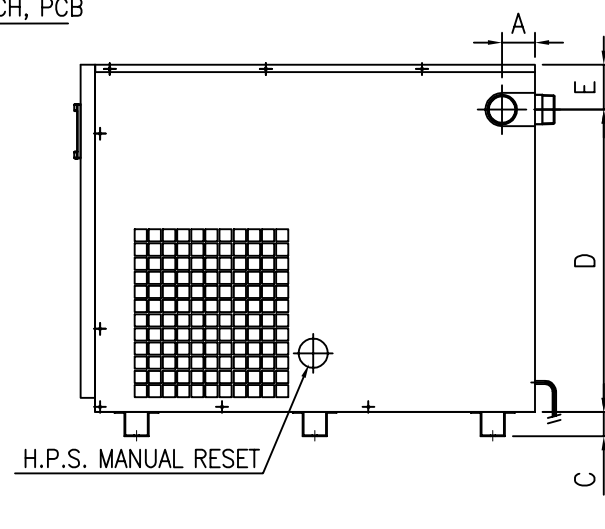
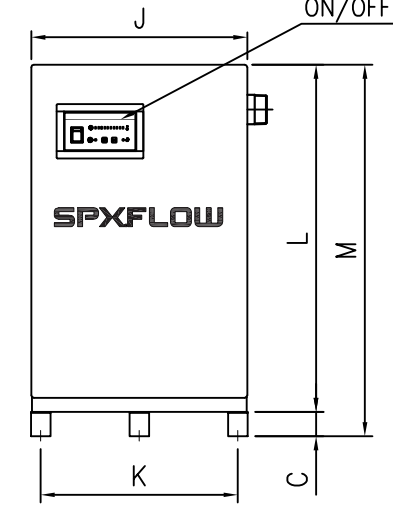
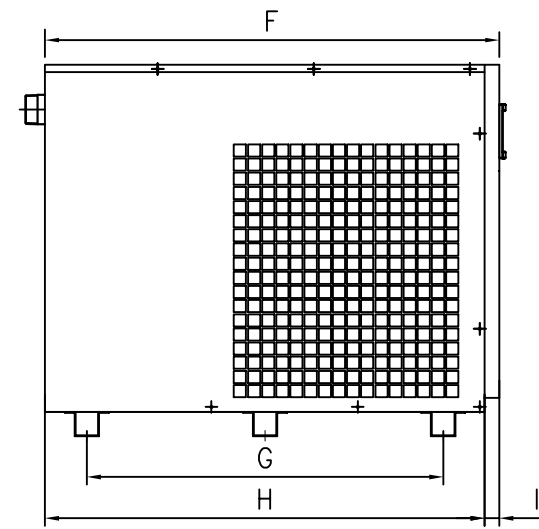
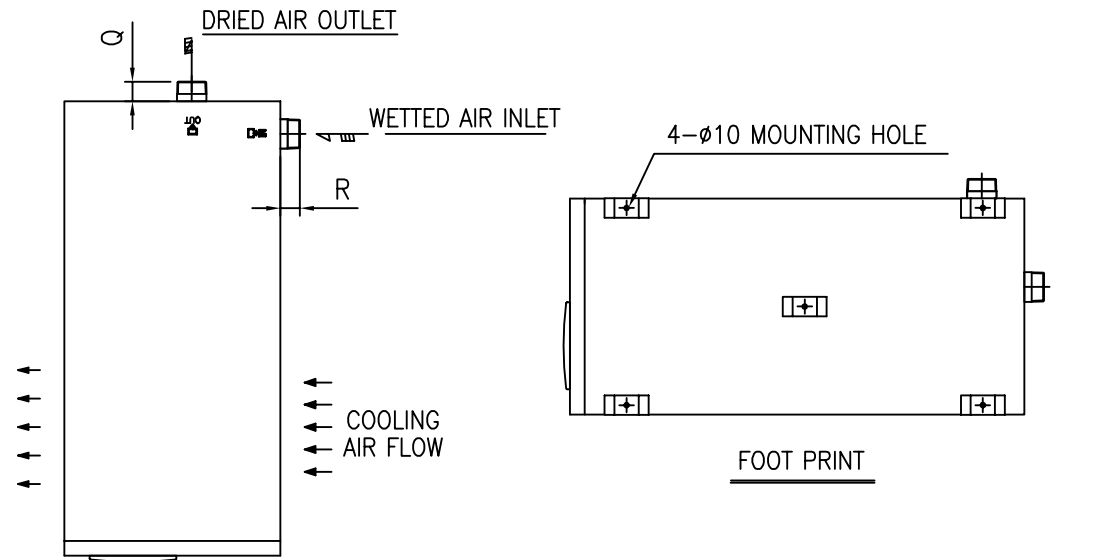
MODEL	DIMENSIONS																		CONNECTIONS <NPT, MALE>	INLET AIR FLOW <scfm>	NET WEIGHT <lbs>	SHIPPING WEIGHT <lbs>	POWER SUPPLY	REFRIGERANT
	A	B	C	D	E	F	G	H	I	J	K	L	M	N	O	P	Q	R						
HGEN200	2.65 {67.2}	7.13 {181.2}	1.96 {50}	24.38 {619.2}	3.62 {92}	36.66 {931.2}	28.74 {730}	35.48 {901.2}	1.18 {30}	17.43 {442.6}	15.91 {404}	28.00 {711.2}	29.97 {761.2}	2.36 {60}	5.17 {131.2}	3.20 {81.2}	1.58 {40}	1.58 {40}	2	200	174	196	230V/1PH/60Hz	R407c
HGEN250	2.65 {67.2}	7.13 {181.2}	1.96 {50}	24.38 {619.2}	3.62 {92}	36.66 {931.2}	28.74 {730}	35.48 {901.2}	1.18 {30}	17.43 {442.6}	15.91 {404}	28.00 {711.2}	29.97 {761.2}	2.36 {60}	5.17 {131.2}	3.20 {81.2}	1.58 {40}	1.58 {40}	2	250	181	204	230V/1PH/60Hz	R407c
HGEN300	2.65 {67.2}	7.13 {181.2}	1.96 {50}	25.56 {649.2}	4.41 {112}	43.75 {1111.2}	35.83 {910}	42.57 {1081.2}	1.18 {30}	19.39 {492.6}	17.87 {454}	29.97 {761.2}	31.94 {811.2}	2.36 {60}	5.95 {151.2}	3.20 {81.2}	1.58 {40}	1.58 {40}	2	300	228	252	230V/1PH/60Hz	R407c
HGEN400	2.65 {67.2}	7.13 {181.2}	1.96 {50}	25.56 {649.2}	4.41 {112}	43.75 {1111.2}	35.83 {910}	42.57 {1081.2}	1.18 {30}	19.39 {492.6}	17.87 {454}	29.97 {761.2}	31.94 {811.2}	2.36 {60}	5.95 {151.2}	3.20 {81.2}	1.58 {40}	1.58 {40}	2	400	254	279	230V/1PH/60Hz	R407c
HGEN500	2.65 {67.2}	7.13 {181.2}	1.96 {50}	26.74 {679.2}	3.23 {82}	47.69 {1211.2}	38.19 {970}	46.50 {1181.2}	1.18 {30}	21.36 {542.6}	19.84 {504}	29.97 {761.2}	31.94 {811.2}	2.36 {60}	5.95 {151.2}	3.20 {81.2}	1.58 {40}	1.58 {40}	2	500	302	328	460V/3PH/60Hz	R407c

SERVICE :
COMPRESSED AIR

OPERATING CONDITIONS :
 RATED INLET AIR PRESSURE- 100 PSIG
 MAXIMUM INLET AIR PRESSURE- 232 PSIG
 MINIMUM INLET AIR PRESSURE- 43.5 PSIG
 RATED INLET AIR TEMPERATURE- 100°F
 MAXIMUM INLET AIR TEMPERATURE- 120°F
 MINIMUM INLET AIR TEMPERATURE- 45°F
 RATED AMBIENT AIR TEMPERATURE- 100°F
 MAXIMUM AMBIENT AIR TEMPERATURE- 109°F
 MINIMUM AMBIENT AIR TEMPERATURE- 40°F

SPECIFICATIONS:
 CONDENSER TYPE- AIR COOLED
 DRAIN TYPE -ELECTRONIC AUTO DRAIN VALVE
 EXPANSION DEVICE- CONSTANT PRESSURE EXPANSION VALVE

NOTE: PRIMARY DIMENSIONS ARE INCHES
& DIMENSIONS IN BRACES ARE METRIC



REV.	DESCRIPTION	BY	DATE	APPROVED
REVISION HISTORY (INDICATES LATEST REVISION)				

UNLESS OTHERWISE SPECIFIED
 DIMENSIONS ARE IN INCHES
 TOL. ON FRACTIONS: ± NA
 TOL. ON DECIMALS: ± .03 (2 PLACE)
 TOL. ON DECIMALS: ± .015 (3 PLACE)
 TOL. ON ANGLES: ± 1

THIRD ANGLE PROJECTION

FILER NO.
 DRAWN BY: NLC
 DATE: 3/13/17
 CHECKED BY: NLC
 DATE: 3/13/17
 APPROVED BY: NLC
 DATE: 3/13/17

Deltech®

GENERAL ASSEMBLY
 HGEN200- HGEN500

SIZE B DWG. NO. GA03DEL-0055 REV.
 SCALE: NONE EST. WT. SHEET 10F 1

4

3

2

1