

4

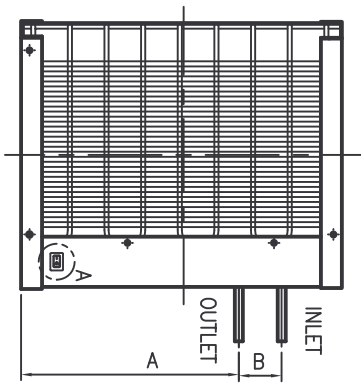
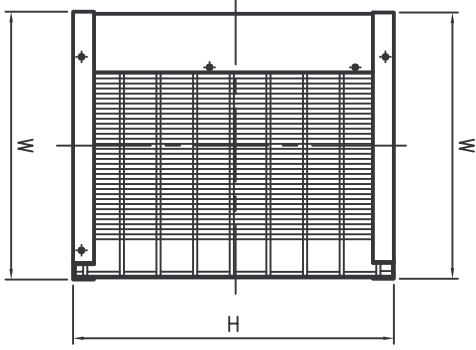
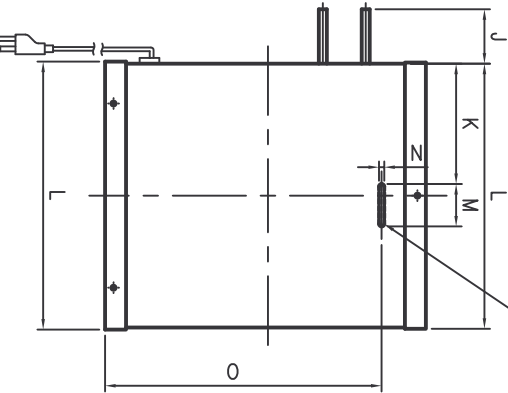
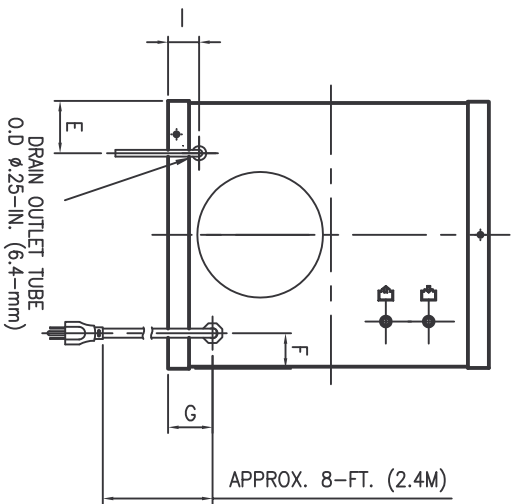
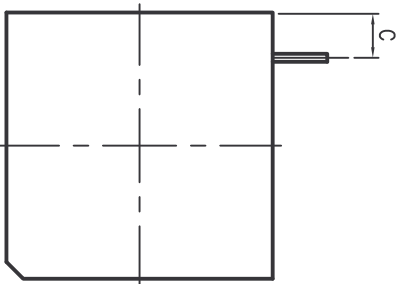
3

2

1

NOTE : PRIMARY DIMENSIONS ARE INCHES AND DIMENSIONS IN BRACES ARE METRIC

MODEL	DIMENSION											INLET/OUTLET CONNECTION	INLET AIR FLOW <SCFM>	NET WEIGHT <LBS>	SHIPPING WEIGHT <LBS>					
	A	B	C	D	E	F	G	H	I	J	K					L	M	N	O	W
HG5-10	10.3 {260}	2.0 {51}	2.1 {54}	10.9 {278}	2.5 {63}	1.7 {43}	2.1 {53}	15.0 {382}	15.4 {39}	2.5 {64}	5.7 {145}	12.6 {320}	2.0 {51}	2.5 {64}	13.0 {330}	12.6 {320}	3/8" O.D. TUBE	10	42	47



DETAIL A
SCALE 3:1
ON/OFF SWITCH W/RUNNING LAMP

SERVICE :
COMPRESSED AIR

OPERATING CONDITIONS :
RATED INLET AIR PRESSURE – 100 PSIG
MAXIMUM INLET AIR PRESSURE – 250 PSIG
MINIMUM INLET AIR PRESSURE – 30 PSIG
RATED INLET AIR TEMPERATURE – 100 °F
MAXIMUM INLET AIR TEMPERATURE – 113 °F
MINIMUM INLET AIR TEMPERATURE – 40 °F
RATED AMBIENT AIR TEMPERATURE – 100 °F
MAXIMUM AMBIENT AIR TEMPERATURE – 113 °F
MINIMUM AMBIENT AIR TEMPERATURE – 40 °F

SPECIFICATIONS :
ELECTRICALS – 115-1PH-60Hz, 230-1PH-50Hz
CONDENSER TYPE – STATIC CONDENSER
REFRIGERANT – HFC-134a (R-134a)
EXPANSION DEVICE – CONSTANT EXPANSION VALVE
DRAIN TYPE – FLOAT DRAIN

REV.	DESCRIPTION	BY	DATE	APPROVED	UNLESS OTHERWISE SPECIFIED DIMENSIONS ARE IN INCHES TOL. ON FRACTIONS: ± 1/16" TOL. ON DECIMALS: ± .030" (2 PLACE) TOL. ON DECIMALS: ± .015" (3 PLACE) TOL. ON ANGLES: ± .5°	FILER NO.	REFRIGERATED AIR DRYER (STATIC COND) GENERAL ARRANGEMENT HG5-10
	REVISION HISTORY (Δ INDICATES LATEST REVISION)				THIRD ANGLE PROJECTION	DRAWN BY: MPK DATE: 05-03-07	Delltech GA03DEL-0027
						CHECKED BY: JJP DATE: 05-03-07	
						APPROVED BY: JRL DATE: 05-03-07	

A

B

C

D

A

B

C

D

4

3

2

1