

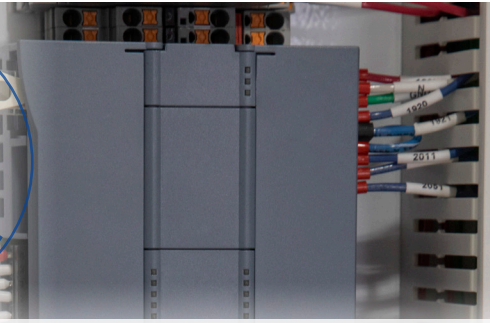
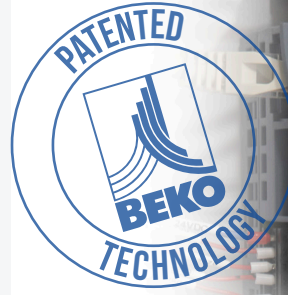
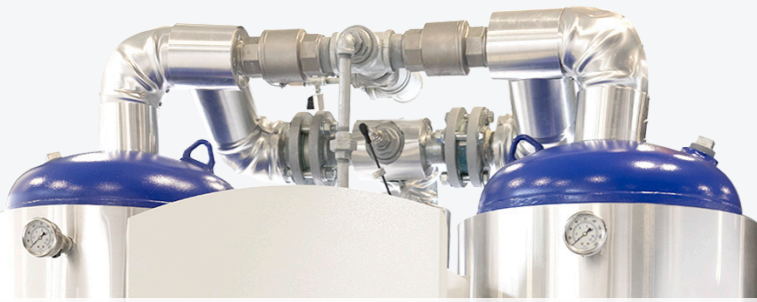


## DRYPOINT<sup>®</sup> XH

intelligent heated purge desiccant drying



# DRYPOINT® XH Heated Purge Desiccant Dryers

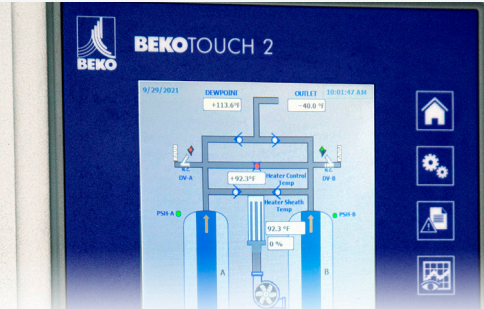


## Customization

With a wide standard range up to 3,200 scfm, a variety of options plus our custom engineering capabilities, we have a perfect solution for every application.

## Patent-pending intelligent algorithm

Monitors operating conditions to optimize the amount of purge air used for regeneration, yielding maximum performance and greatest possible energy savings for a heated purge type dryer.



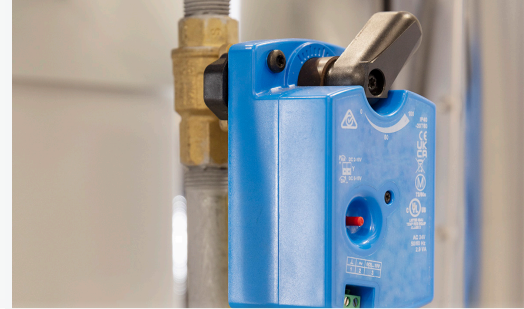
## Advanced Controller

The intuitive, feature rich BEKOTOUCH 2 controller is standard with full-color, 7" touchscreen display, data trends, spare parts list, and more.



## Reliable Design

Designed and built in the U.S.A. with premium components like stainless steel check valves and high performance butterfly valves (flanged models).



## Adaptive Heating and Cooling

Electronic proportional-type purge flow control valve optimizes the heating and the cooling purge air used to regenerate the bed.

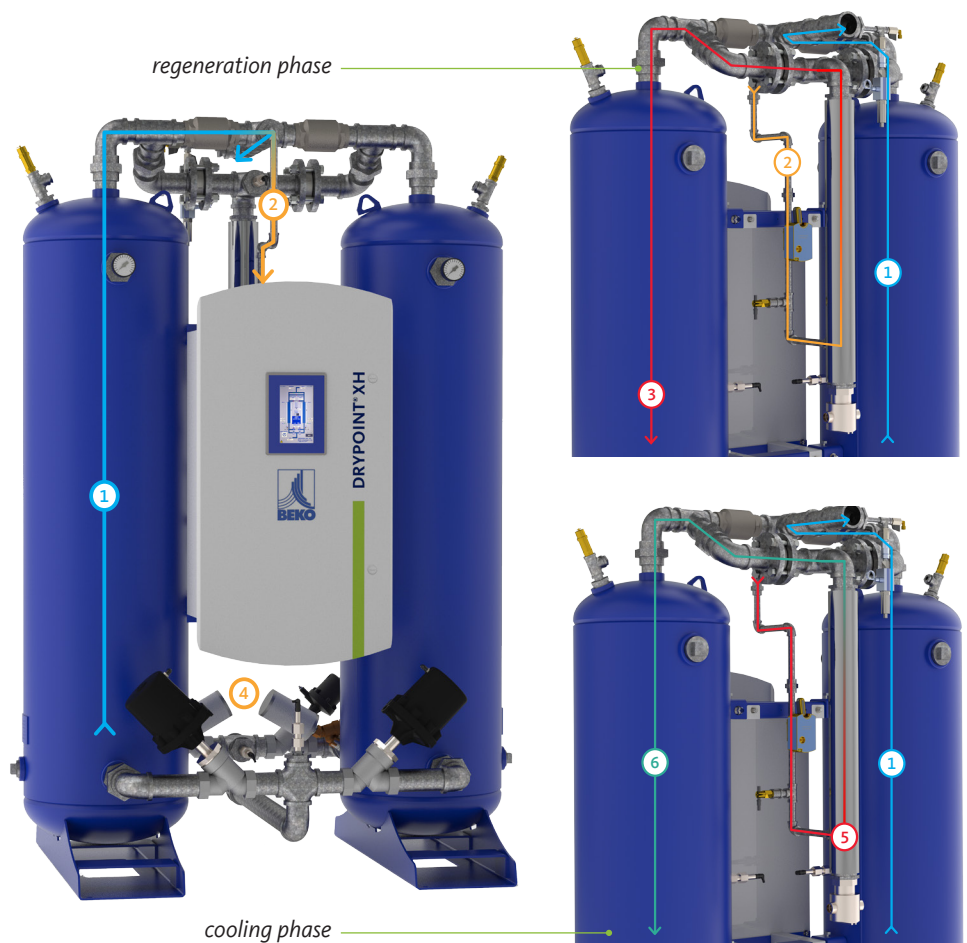
## How it Works

Moist air flows into the drying chamber and through the vessel. The desiccant adsorbs the moisture [1], delivering dry air downstream.

The saturated offline tower is regenerated using a set amount of purge air, controlled by a variable purge flow control valve, that flows across an electric heating unit [2].

This extremely dry heated air flows down the vessel [3], purging the moisture from the desiccant and exhausting the saturated air to the atmosphere [4].

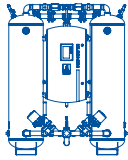
Once dried, the heated vessel must be cooled before returning to the adsorption phase. The heating element [5] is turned off, and a portion of the dried air from the dryer outlet is diverted to the regenerated vessel to cool the desiccant [6].



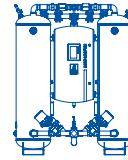
# DRYPOINT® XH Heated Purge Desiccant Dryers

Regenerative desiccant dryers are frequently found in industrial applications around the world. These dryers use a desiccant material, which adsorbs the water vapor in the air stream. Heated regenerative type desiccant dryers utilize an external heater to regenerate the desiccant in one tower while the other tower dries the compressed air to a very low dew point. The XHi models use a patent-pending, intelligent algorithm and systems to control the performance and maximize cost savings.

## Compare



XHe Line  
*Economy Heated Purge Series  
with timed purge control*



XHi Line  
*Intelligent Heated Purge Series  
with intelligent demand based energy control*

### Flow Rates

100 - 3,200 scfm

100 - 3,200 scfm

### Standard Outlet Pressure Dew Point

-40 °F

-40 °F

### Maximum Inlet Air Temperature

120 °F

120 °F

### Maximum Operating Pressure

150 psig

150 psig

### Average Purge Air

7%

3-7%

### Available Options

Mounted filters, 3-valve bypass (threaded models), Standalone Filtration Packages (flanged models), Indoor Tower insulation, Valve position indicators (flanged models), Cover3More extended warranty

Mounted filters, 3-valve bypass (threaded models), Standalone Filtration Packages (flanged models), Dew point demand control, Indoor Tower insulation, Valve position indicators (flanged models), Cover3More extended warranty

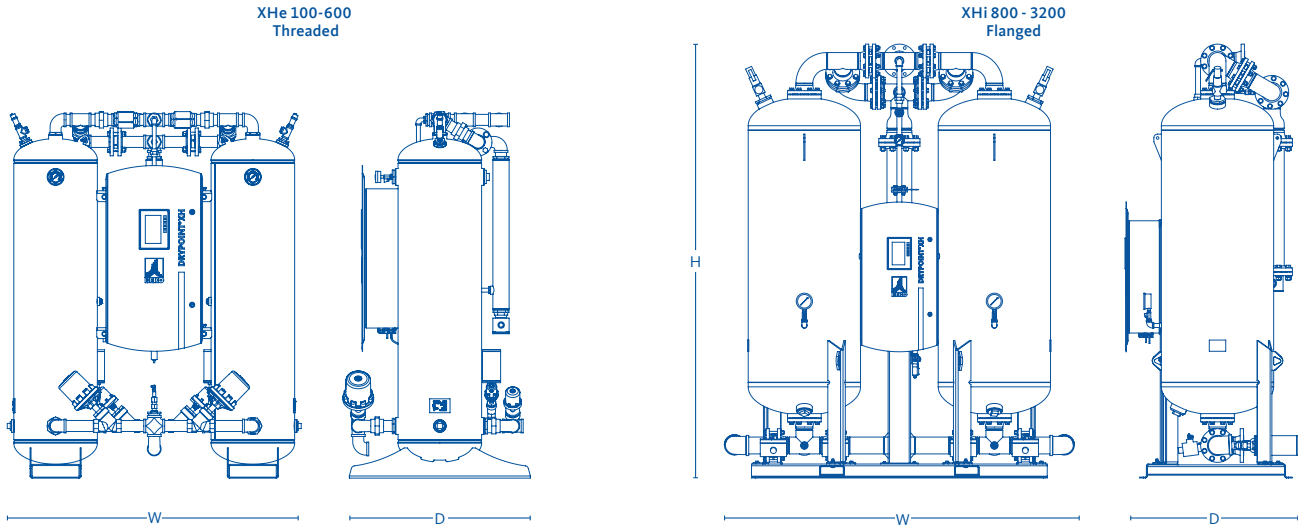
## Product Family



## DRYPOINT® XHe Economy Heated Purge Desiccant Dryers

with external heater and BEKOTOUCH 2 controls

- › Standard outlet pressure dew point: -40 °F
- › Electrical power supply: XHe 100 - 250: 120 VAC / 1Ph / 60 Hz  
XHe 300 - 3200: 460 VAC / 3 Ph / 60 Hz
- › Required pre-filtration grade SX: .01 µm | Required post-filtration grade FX: 1 µm
- › cUL certified controls with NEMA 4 indoor rating
- › Min. / max. inlet air temperature: 40 °F / 120 °F
- › Min. / max. ambient temperature: 40 °F / 120 °F
- › Min. / max. operating pressure: 60 / 150 psig



DRYPOINT® XHe	XHe 100	XHe 150	XHe 200	XHe 250	XHe 300	XHe 400	XHe 500	XHe 600
Connection Size (NPT)	1"	1¼"	1½"	1½"	1½"	2"	2"	2½"
Flow Rate (scfm)	100	150	200	250	300	400	500	600

Dimensions and Weight								
H x W x D (inches)	67 x 39 x 27	71 x 46 x 29	73 x 52 x 30	73 x 52 x 30	75 x 54 x 30	78 x 61 x 36	79 x 64 x 39	78 x 74 x 42
Empty Weight (lbs)	568	571	581	669	804	994	1072	1331
Total Fill (lbs)	140	210	280	350	420	560	700	840

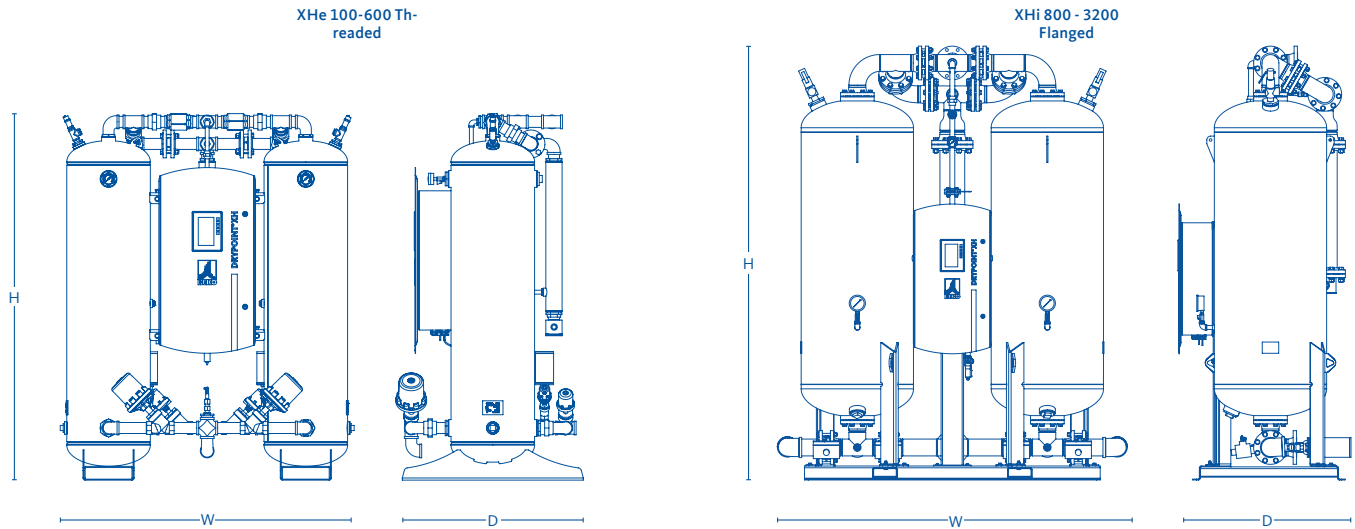
DRYPOINT® XHe	XHe 800	XHe 1000	XHe 1200	XHe 1500	XHe 1800	XHe 2100	XHe 2500	XHe 3200
Connection Size (Flanged)	2½"	2½"	2½"	3"	3"	4"	4"	6"
Flow Rate (scfm)	800	1000	1200	1500	1800	2100	2500	3200

Dimensions and Weight								
H x W x D (inches)	109 x 69 x 39	111 x 73 x 41	114 x 76 x 42	99 x 88 x 47	116 x 98 x 45	110 x 98 x 47	125 x 97 x 47	119 x 119 x 53
Empty Weight (lbs)	1514	1837	2102	2214	2771	3330	3676	4349
Total Fill (lbs)	1120	1400	1680	2100	2520	2940	3500	4480

## DRYPOINT® XHi Intelligent Heated Purge Desiccant Dryers

with external heater, variable purge valve, and BEKOTOUCH 2 controls

- › Standard outlet pressure dew point: -40 °F
- › Electrical power supply: XHi 100 - 250: 120 VAC / 1Ph / 60 Hz  
XHi 300 - 3200: 460 VAC / 3 Ph / 60 Hz
- › Required pre-filtration grade SX: .01 µm | Required post-filtration grade FX: 1 µm
- › cUL certified controls with NEMA 4 indoor rating
- › Min. / max. inlet air temperature: 40 °F / 120 °F
- › Min. / max. ambient temperature: 40 °F / 120 °F
- › Min. / max. operating pressure: 60 / 150 psig



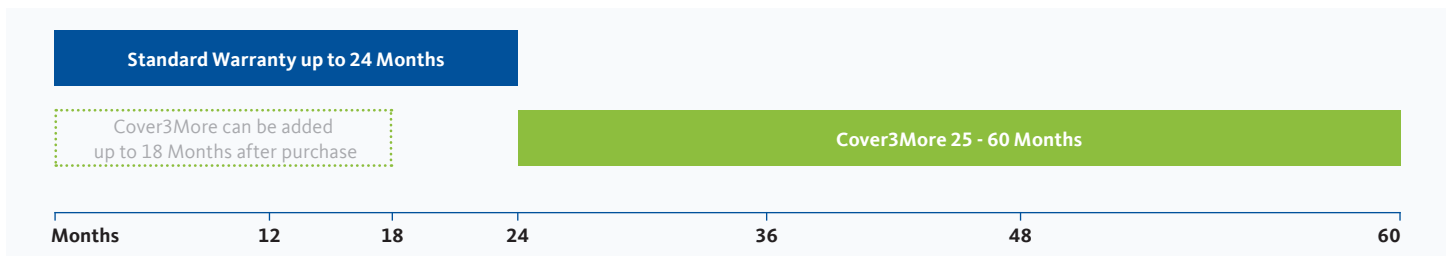
DRYPOINT® XHi	XHi 100	XHi 150	XHi 200	XHi 250	XHi 300	XHi 400	XHi 500	XHi 600
Connection Size (NPT)	1"	1¼"	1½"	1½"	1½"	2"	2"	2½"
Flow Rate (scfm)	100	150	200	250	300	400	500	600
<b>Dimensions and Weight</b>								
H x W x D (inches)	67 x 39 x 27	71 x 46 x 29	73 x 52 x 30	73 x 52 x 30	75 x 54 x 30	78 x 61 x 36	79 x 64 x 39	78 x 74 x 42
Empty Weight (lbs)	574	576	670	673	808	999	1077	1336
Total Fill (lbs)	140	210	280	350	420	560	700	840

DRYPOINT® XHi	XHi 800	XHi 1000	XHi 1200	XHi 1500	XHi 1800	XHi 2100	XHi 2500	XHi 3200
Connection Size (Flanged)	2½"	2½"	3"	3"	3"	4"	4"	6"
Flow Rate (scfm)	800	1000	1200	1500	1800	2100	2500	3200
<b>Dimensions and Weight</b>								
H x W x D (inches)	109 x 69 x 39	111 x 73 x 41	114 x 76 x 42	99 x 88 x 47	116 x 98 x 45	110 x 98 x 47	125 x 97 x 47	119 x 119 x 53
Empty Weight (lbs)	1552	1876	2160	2233	2801	3360	3624	4401
Total Fill (lbs)	1120	1400	1680	2100	2520	2940	3500	4480

**+3**  
Years on all  
Products

ask your  
**sales representative**  
for complete details  
and extend your full  
warranty today

## At a Glance



### Cover3More is available on all our product lines

DRYPOINT® RA	Refrigerant Air Dryers	BEKOMAT®	Zero Air Loss Drains
DRYPOINT® X / AC	Desiccant Air Dryers	QWIK-PURE®/ÖWAMAT®	Oil-water Separators
DRYPOINT® M	Membrane Air Dryers	METPOINT®	Instrumentation
CLEARPOINT®	Filters and Water Separators	BEKOKAT®	Hydrocarbon Removal Systems

## How it Works

1. Select the product or products that you wish to cover with the extended warranty.
2. Simply add 8% to the net price of each product or call your sales representative if you need help calculating your final net price.
3. Include this information as a line item with your purchase order or purchase the warranty extension up to 18-months post-sale.

**What we need from you:** It's not much. In fact, if you are purchasing the Cover3More extended warranty with a new equipment purchase, all you have to do is include a line item on your order indicating which items you wish you cover, and we will take care of the rest. If you happen to be adding coverage to a product you've already taken delivery of, then all we need is the company name and contact information of the original purchaser, the product model number of the product to be covered, serial number, and original purchase order number or BEKO Technologies invoice number, and we will apply coverage appropriately. **Please feel free to contact us at +1 (800) 235-6797 to get started.**

All maintenance procedures, including filter element changes, must be carried out in accordance with the manual in order to maintain any warranty.

## ■ Compare

---

**We give you more:** In addition to a robust, standard 2-year warranty on BEKO Technologies products, we offer our customers the option of extending the standard warranty even further with the **Cover3More** program – a low cost, all-encompassing, and simple warranty extension program.

- › Extends the standard factory warranty for an additional 3-years
- › May be purchased at any time up to 18-months post-sale
- › No hassle and easy to calculate without any hidden costs

Secure your future with a minimal investment. The **Cover3More** extended warranty program from BEKO Technologies ensures that your investment is covered for a total of 5-years at a nominal cost.

- › 2-year standard warranty covers parts and labor
- › 3-year extended warranty covers parts only, no parts restrictions
- › Significantly reduces your risk of having unexpected costs

**Reliability you can count on:** With the Cover3More extended warranty program, BEKO Technologies not only lengthens the standard warranty period by 3-years from the installation date, but also draws on the company's vast compressed air industry experience to quickly resolve any product problems you may experience in the least disruptive way possible, thereby keeping downtime to an absolute minimum. Should a repair be required, it will be handled by qualified, authorized personnel, and only original parts will be used.

---

**What's in the fine print:** The optional 36-month warranty extension (i.e. Cover3More) is a limited extended warranty that covers parts only from months 25-60.

However, all of the aforementioned installation, performance, and quality requirements must still be met in order to maintain extended warranty coverage. Failure to do so will render all warranties null and void.

The limited extended warranty coverage may be purchased and applied to any of the BEKO Technologies product lines included in the scope of the Cover3More extended warranty program from the original date of purchase from BEKO Technologies to 18-months thereafter.

Extended warranty coverage may not be purchased during the final 6-months of the standard warranty coverage, which are months 19-24 from the date of shipment or at BEKO Technologies' discretion, the date of installation.

The purchase price of the Cover3More limited extended warranty is not prorated and the current published purchase price is always applied.

Should the extended warranty coverage be purchased post-delivery or post-sale, then the serial number of all products to which the warranty shall be extended must be provided to BEKO Technologies at the time of purchase of the extended warranty.

Reliable | Efficient | Innovative

What can we do for you?



**BEKO TECHNOLOGIES CORP.**  
900 Great Southwest Pkwy SW  
Atlanta, GA 30336  
USA  
Phone +1 (404) 924-6900  
[www.bekousa.com](http://www.bekousa.com)

