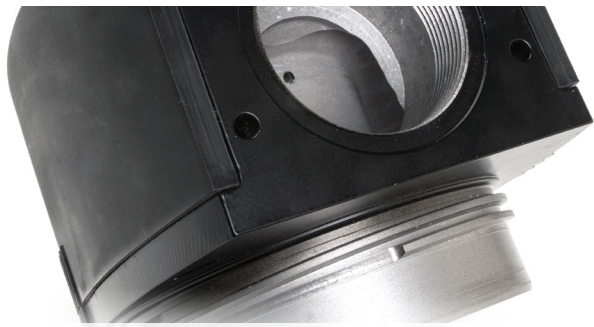




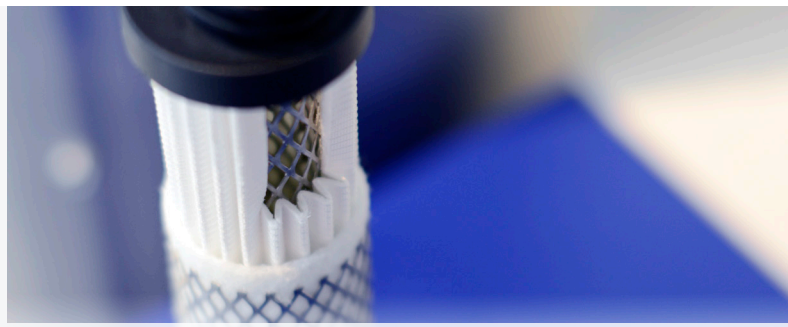
CLEARPOINT®
energy saving compressed air filtration





Housing Quality

A flow optimized, anodized, extruded aluminum housing with double-threaded head guarantees filter reliability and longevity.



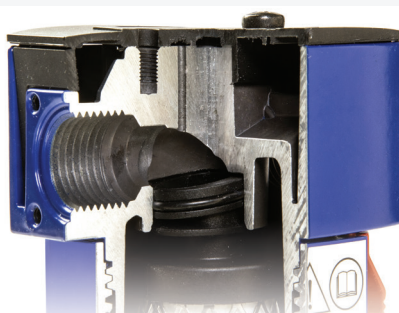
Efficient Element

The most advanced borosilicate glass fiber and pleated design for ultra-low differential pressure and highest performance.



Range and Options

With one of the widest product ranges coupled with a host of available options, we have a solution to fit every application perfectly.



Maintenance

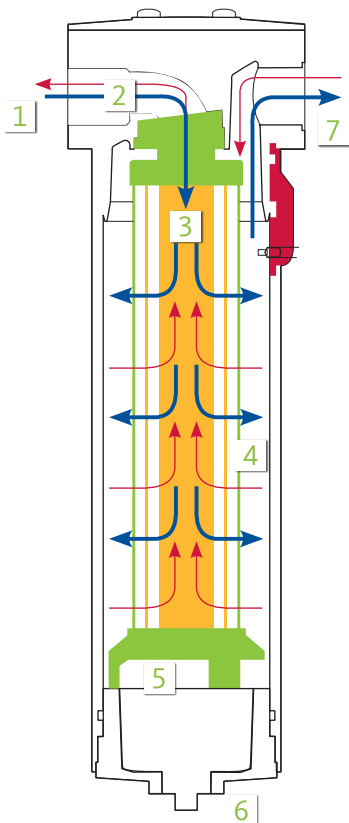
Every design detail was taken into consideration down to the simple, push-fit filter element without tie-rods to further reduce maintenance time.



Space Savings

CLEARPOINT filters offer a modular design feature where your perfect filtration package can be installed without any additional fittings or pipe.

How it Works



Coalescing filtration flow (inside / out)

Particulate filtration flow (outside / in)

1. The compressed air flows into the inlet, which has been designed to work with many different types of connections.
2. The curved inlet provides up to 75% less flow resistance, which translates into significant energy savings.
3. The untreated compressed air passes through a high bed depth filter that retains the maximum amount of particles. The exterior of the soft pleat medium is an open cell synthetic support mesh that provides rigidity without sacrificing surface area.
4. The compressed air has now passed all the way through the filter medium and is considered as treated.
5. A large area at the base of the housing creates a generous void to prevent the entrainment of already separated condensate.
6. Condensate is drained either by a float drain or zero air loss BEKOMAT®. A hexagonal profile at the base of the filter allows it to be easily opened for element changes and maintenance.
7. The fully treated compressed air that is now free of fluids, solids, and other pollutants flows downstream to other inline components or the point-of-use.

Click or scan to watch on



YouTube

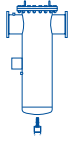
CLEARPOINT® Filters

During compressed air generation and distribution, contaminants are introduced to the air stream at various stages of the compressed air network. Compressed air filters, which come in various grades, remove these contaminants, as well as humidity and oil from the compressed air stream. This is a critical step as these can lead to a deterioration in quality, machine failure, or even to a loss of production or to products that must be disposed of.

Compare



Threaded Line
Standard Pressure Series



Flanged Line
Standard Pressure Series



Activated Carbon Line
Oil Vapor Removal Series



PN50 Line
High Pressure Series



HP Line
High Pressure Series



H Line
In-line Heater Series

Flow Rates

25 - 1,900 scfm	1,900 - 21,000 scfm	25 - 1,900 scfm	100 - 2,750 scfm	25 - 2,000 scfm	30 - 60 scfm
-----------------	---------------------	-----------------	------------------	-----------------	--------------

Maximum Operating Pressure

232 psig	232 psig	232 psig	725 psig	1,450 - 7,250 psig	232 psig
----------	----------	----------	----------	--------------------	----------

Standard Pipe Connection Sizes

3/8" - 3" NPT	4" - 12" Flange	3/8" - 3" NPT	3/8" - 2" NPT	3/8" - 2" NPT	3/8" - 2" NPT
---------------	-----------------	---------------	---------------	---------------	---------------

Housing Material

Anodized, powder coated aluminum	Powder coated carbon steel	Anodized, powder coated aluminum	Anodized, powder coated aluminum	Stainless steel	Anodized, powder coated aluminum
----------------------------------	----------------------------	----------------------------------	----------------------------------	-----------------	----------------------------------

Available Options

Zero air loss drain, Differential pressure gauge, Cover3More extended warranty	Cover3More extended warranty	Cover3More extended warranty	Drain connection kit, Zero air loss drain, Differential pressure gauge, Cover3More extended warranty	Manual valve, Differential pressure gauge, Cover3More extended warranty	Available for 115 or 230 VAC operation, Cover3More extended warranty
--	------------------------------	------------------------------	--	---	--

Product Family



Flanged and threaded filters



High pressure (PN) filter

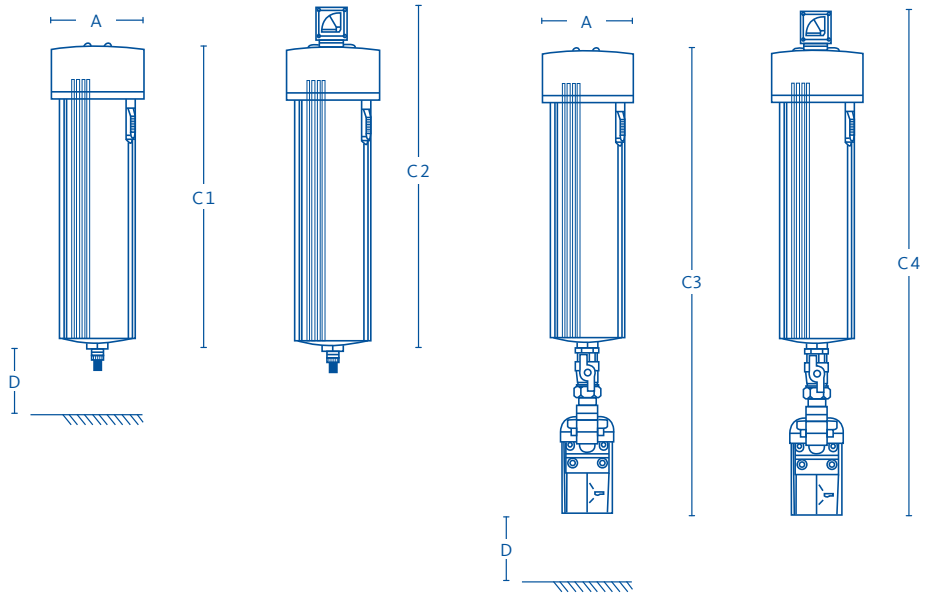


High pressure (HP) filter

CLEARPOINT® Threaded Coalescing and Particulate Filters

with float drain or BEKOMAT® and with or without differential pressure gauge and new eco series elements

- › Advanced CLEARPOINT® eco series elements
- › Validated in accordance with ISO 12500-1 and 3
- › CRN approved
- › Filter for natural gas (CNG) on request
- › Max. operating pressure: 232 psig
- › Max. operating temperature: 140 °F



CLEARPOINT®	S040	S045	S050	S055	S075	S100	M010	M012	M015
Pipe size (NPT)	3/8"	1/2"	1/2"	1/2"	3/4"	1"	1"	1"	1 1/2"
Flow rate (scfm)	25	30	50	80	100	125	160	200	250
Element Size	04*	04*	05*	06*	07*	07*	10*	12*	15*

Dimension data

A (inches)	2.95	2.95	2.95	2.95	3.94	3.94	3.94	3.94	5.75
C1 (inches)	7.09	7.09	8.27	10.43	11.02	11.02	13.78	15.16	14.17
C2 (inches)	9.65	9.65	10.83	12.99	13.58	13.58	16.34	17.72	16.73
C3 (inches)	15.55	15.55	16.73	18.90	19.49	19.49	22.24	23.62	22.83
C4 (inches)	18.11	18.11	19.29	21.46	22.05	22.05	24.80	26.18	25.39
D (inches)	5.91	5.91	5.91	5.91	5.91	5.91	5.91	5.91	6.30
Weight (lbs)	1.65	1.65	1.87	2.65	3.75	4.18	4.63	4.85	9.04

CLEARPOINT®	M018	M019	M020	M022	M023	M025	M027	M030	M032
Pipe size (NPT)	1 1/2"	1 1/2"	2"	2"	2"	2 1/2"	2 1/2"	3"	3"
Flow rate (scfm)	330	450	500	600	800	1000	1300	1500	1900
Element Size	18*	20*	20*	22*	23*	25*	27*	30*	32*

Dimension data

A (inches)	5.75	5.75	5.75	5.75	5.75	10.24	10.24	10.24	10.24
C1 (inches)	16.46	18.43	18.43	22.24	26.89	26.42	30.51	35.24	41.14
C2 (inches)	19.02	20.99	20.99	24.80	29.45	29.98	33.07	37.80	43.70
C3 (inches)	24.92	26.89	26.89	30.71	35.35	34.88	38.98	39.76	49.61
C4 (inches)	27.48	29.45	29.45	33.27	37.91	37.44	41.54	42.32	52.17
D (inches)	6.30	6.30	6.30	6.30	6.30	7.87	7.87	7.87	7.87
Weight (lbs)	9.92	10.61	11.24	13.45	15.65	43.87	49.82	57.10	65.92

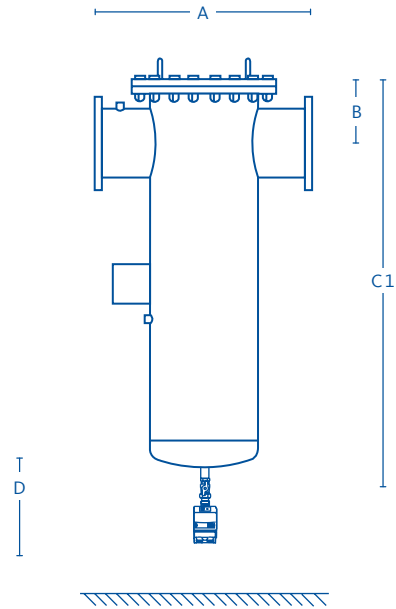
* ELEMENT GRADE	ELEMENT TYPE	MICRON RATING	OIL CARRYOVER	DRY Δ PRESSURE (psid)	WET Δ PRESSURE (psid)
Grade CX	Coarse	25 µm	5 mg/m ³	.44	.73
Grade FX	Fine	1 µm	.1 mg/m ³	.73	1.9
Grade SX	Superfine	.01 µm	.01 mg/m ³	.87	1.7

Correction Factor

Operating Pressure (psig)	20	40	60	80	90	100	110	120	130	140	160	180	200	230
Correction Factor	.30	.48	.65	.82	.91	1.00	1.09	1.17	1.26	1.35	1.52	1.70	1.87	2.13

CLEARPOINT® Flange Coalescing and Particulate Filters with BEKOMAT® and connection kit with differential pressure gauge

- › Advanced CLEARPOINT® eco series elements
- › Validated in accordance with ISO 12500
- › Designed according to ASME Sec. VIII, Div. 1
- › UM stamp standard and CRN optional
- › Max. operating pressure: 232 psig
- › Max. operating temperature: 140 °F



CLEARPOINT®	L100	L102	L150	L156	L200	L204	L254	L304
Pipe size (ANSI)	4"	4"	6"	6"	8"	8"	10"	12"
Flow rate (scfm)	1900	2800	3800	6500	7500	9300	13000	21000
Element Size	88*							
Dimension data								
A (inches)	21.25	21.25	23.50	23.75	28.00	30.31	34.65	38.98
B (inches)	6.88	7.13	8.00	8.25	9.50	9.75	9.88	10.87
C1 (inches)	46.50	47.38	46.88	50.38	53.00	56.34	60.18	64.26
D (inches)	13.00	18.00	18.00	18.00	18.00	18.00	18.00	18.00
Weight (lbs)	195	266	283	328	534	623	727	825

* ELEMENT GRADE	ELEMENT TYPE	MICRON RATING	OIL CARRYOVER	OIL VAPOR	DRY Δ PRESSURE (psid)	WET Δ PRESSURE (psid)	APPROVALS
Grade CX	Coarse	25 μm	5 mg/m ³	-	.44	.73	ASME Coded Vessel with UM Stamp as standard (CRN Optional)
Grade FX	Fine	1 μm	.1 mg/m ³	-	.73	1.9	
Grade SX	Superfine	.01 μm	.01 mg/m ³	-	.87	1.7	
Grade A	Activated Carbon	.01 μm	-	.003 mg/m ³	1.45	-	

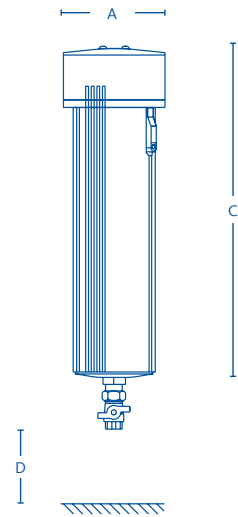
Correction Factor

Operating Pressure (psig)	20	40	60	80	90	100	110	120	130	140	160	180	200
Correction Factor	.30	.48	.65	.82	.91	1.00	1.09	1.17	1.26	1.35	1.52	1.70	1.87

CLEARPOINT® Threaded Activated Carbon Filters

with manual ball valve

- › With activated carbon filter element
- › Removal of solid particles up to .01 µm
- › Residual oil vapor content down to .003 mg/m³
- › CRN approved
- › Max. inlet moisture: 30% (dryer required upstream)
- › Max. operating pressure: 232 psig
- › Max. operating temperature: 140 °F



CLEARPOINT®	S040	S045	S050	S055	S075	S100	M010	M012	M015
Pipe Size (NPT)	3/8"	1/2"	1/2"	3/4"	3/4"	1"	1"	1"	1 1/2"
Flow Rate (scfm)	25	30	50	80	100	125	160	200	250
Element Size	04A	04A	05A	06A	07A	07A	10A	12A	15A

Dimensions and Weight

A (inches)	2.95	2.95	2.95	2.95	3.94	3.94	3.94	3.94	5.75
C (inches)	7.09	7.09	8.27	10.43	11.02	11.02	13.78	15.16	14.17
D (inches)	5.91	5.91	5.91	5.91	5.91	5.91	5.91	5.91	6.30
Weight (lbs)	1.65	1.65	1.87	2.65	3.75	4.18	4.63	4.85	9.04

CLEARPOINT®	M018	M019	M020	M022	M023	M025	M027	M030	M032
Pipe Size (NPT)	1 1/2"	1 1/2"	2"	2"	2"	2 1/2"	2 1/2"	3"	3"
Flow Rate (scfm)	330	450	500	600	800	1000	1300	1500	1900
Element Size	18A	20A	20A	22A	23A	25A	27A	30A	32A

Dimensions and Weight

A (in inches)	5.75	5.75	5.75	5.75	5.75	10.24	10.24	10.24	10.24
C1 (in inches)	16.46	16.46	18.43	22.24	26.89	26.42	30.51	35.24	41.14
D (in inches)	6.30	6.30	6.30	6.30	6.30	7.87	7.87	7.87	7.87
Weight (lbs)	9.92	10.61	11.24	13.45	15.65	43.87	49.82	57.10	65.92

ELEMENT GRADE	ELEMENT TYPE	MICRON RATING	OIL CARRYOVER	Δ PRESSURE (psid)
Grade A	Activated Carbon Element	.01 µm	.003 mg/m ³	1.02

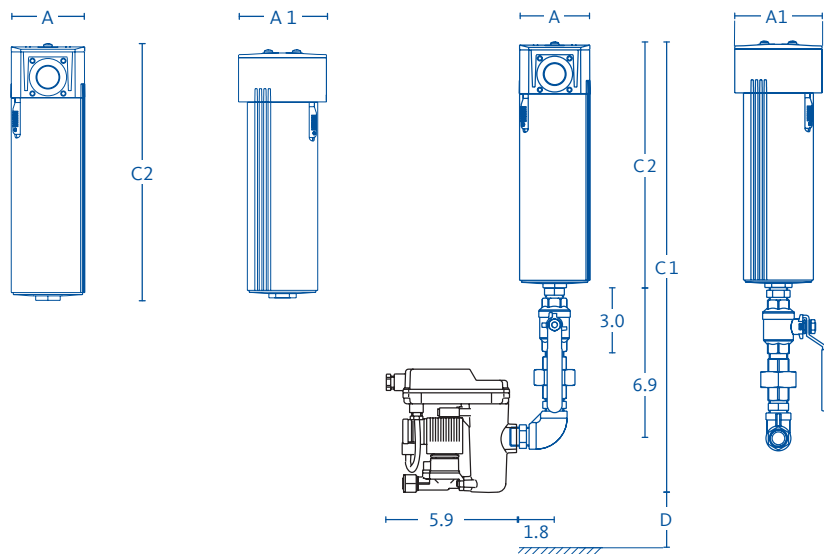
Correction Factors

Operating Pressure (psig)	20	40	60	80	90	100	110	120	130	140	160	180	200	230
Correction Factor	.30	.48	.65	.82	.91	1.00	1.09	1.17	1.26	1.35	1.52	1.70	1.87	2.13

CLEARPOINT® PN50 Threaded Coalescing and Particulate High Pressure Filters

with open port or BEKOMAT® connection kit (drain sold separately) without pressure gauge

- › Advanced CLEARPOINT® eco series elements
- › Validated in accordance with ISO 12500-1 and 3
- › Max. operating temperature: 140 °F
- › Max. operating pressure: 725 psig



CLEARPOINT® PN50	HP50S040	HP50S050	HP50S055	HP50S075	HP50M010	HP50M012	HP50M015	HP50M018	HP50M020	HP50M022	HP50M023
Pipe size	3/8"	1/2"	1/2"	3/4"	1"	1"	1 1/2"	1 1/2"	2"	2"	2"
Flow rate (scfm)	100	190	300	440	600	710	1000	1210	1720	2065	2750
Element Size	04*	05*	06*	07*	10*	12*	15*	18*	20*	22*	23*

Dimension data

A (inches)	2.95	2.95	2.95	3.95	3.95	3.95	5.75	5.75	5.75	5.75	5.75
A1 (inches)	2.36	2.36	2.36	3.15	3.15	3.15	4.72	4.72	4.72	4.72	4.72
C1 (inches)	16.50	16.50	19.90	20.50	23.20	24.60	23.80	25.90	27.80	31.60	36.30
C2 (inches)	7.10	8.30	10.40	11.00	13.80	15.20	14.40	16.50	18.40	22.20	26.90
D (inches)	7.10	7.10	7.10	7.10	7.10	7.10	7.10	7.10	7.10	7.10	7.10
Weight (lbs)	1.65	1.85	2.65	3.75	4.63	4.85	9.04	9.92	11.24	13.45	15.65

* ELEMENT GRADE	ELEMENT TYPE	MICRON RATING	OIL CARRYOVER	OIL VAPOR	DRY Δ PRESSURE (psid)
Grade CX	Coarse	25 μm	5 mg/m ³		.54
Grade FX	Fine	1 μm	.1 mg/m ³		.86
Grade SX	Superfine	.01 μm	.01 mg/m ³		1.04
Grade A	Activated Carbon	.01 μm	-	.003 mg/m ³	.70

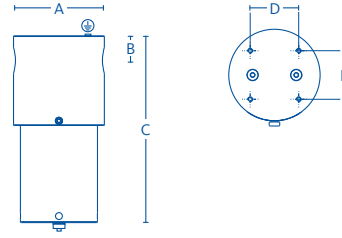
Correction Factor

Operating Pressure (psig)	60	90	100	150	200	300	450	600	725
Correction Factor	.14	.18	.24	.35	.43	.59	.73	.88	1.00

CLEARPOINT® HP High Pressure Filters

with open port without pressure gauge up to 7,250 psig

- › Stainless steel housing
- › Max. operating temperature: 140 °F (HP350S075 and HP350M010 only)
- › Max. operating temperature: 248 °F (all other models)
- › Max. inlet pressure: 1,450 - 7,250 psig



CLEARPOINT® HP 100	HP100S040	HP100S045	HP100S050	HP100S055	HP100S075	HP100M010	HP100M015	HP100M020
Max. Operating Pressure (psig)	1,450	1,450	1,450	1,450	1,450	1,450	1,450	1,450
Pipe size (NPT)	3/8"	3/8"	1/2"	1/2"	3/4"	1"	1 1/2"	2"
Flow rate (scfm)	25	60	160	270	400	700	1000	2000

Dimension data

A (inches)	2.36	3.11	3.07	3.07	4.49	4.49	6.85	6.85
B (inches)	.65	.81	.91	.91	1.16	1.16	1.97	1.97
C (inches)	4.61	5.51	8.43	10.39	10.63	16.54	18.94	30.87
D (inches)	.98	1.39	1.57	1.57	2.36	2.36	3.94	3.94
Weight (lbs)	4.41	9.92	8.82	12.13	23.15	30.20	74.96	92.60

CLEARPOINT® HP 350	HP350S030	HP350S040	HP350S045	HP350S050	HP350S075	HP350M010	HP350M012	HP350M015
Max. Operating Pressure (psig)	5,075	5,075	5,075	5,075	5,075	5,075	5,075	5,075
Pipe size (NPT)	1/4"	3/8"	3/8"	1/2"	3/4"	1"	1"	1 1/2"
Flow rate (scfm)	30	75	205	350	520	920	1300	2600

Dimension data

A (inches)	2.36	3.11	3.46	3.46	5.47	5.47	6.65	6.65
B (inches)	.65	.81	.91	.91	1.47	1.47	1.94	1.94
C (inches)	4.61	5.51	8.43	10.39	11.26	17.17	18.90	30.83
D (inches)	.98	1.39	1.57	1.57	3.15	3.15	3.15	3.15
Weight (lbs)	4.41	9.92	14.33	16.53	45.19	59.52	99.23	156.53

CLEARPOINT® HP 500	HP500S030	HP500S040	HP500S045	HP500S050
Max. Operating Pressure (psig)	7,250	7,250	7,250	7,250
Pipe size (NPT)	1/4"	3/8"	3/8"	1/2"
Flow rate (scfm)	30	80	220	380

Dimension data

A (inches)	2.36	3.11	4.45	4.45
B (inches)	.65	.81	.98	.98
C (inches)	4.61	5.51	8.70	10.67
D (inches)	.98	1.39	2.36	2.36
Weight (lbs)	4.41	9.92	26.46	28.66

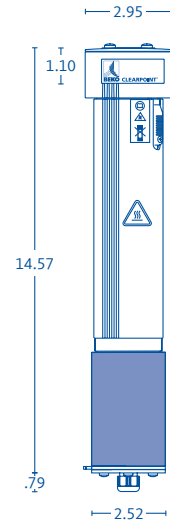
* ELEMENT GRADE	ELEMENT TYPE	MICRON RATING	OIL CARRYOVER	OIL VAPOR	DRY Δ PRESSURE (psid)
Grade CX	Coarse	25 µm	5 mg/m ³	-	.54
Grade FX	Fine	1 µm	.1 mg/m ³	-	.86
Grade SX	Superfine	.01 µm	.01 mg/m ³	-	1.04
Grade A	Activated Carbon	.01 µm	-	.003 mg/m ³	.70

Correction Factor

Operating Pressure (1,450 psig)	300	450	600	725	900	1,100	1,200	1,300	1,450
Correction Factor	.45	.56	.64	.71	.78	.84	.90	.95	1.00
Operating Pressure (5,075 psig)	3,000		3,600		4,500		5,075		
Correction Factor	.84		.89		.94		1.00		
Operating Pressure (7,250 psig)	4,500		5,000		5,800		6,500		7,250
Correction Factor	.89		.93		.96		.98		1.00

CLEARPOINT® H Compressed Air Heaters with adjustable temperature control

- › For the adjustable heating of compressed air
- › Adjustable temperature from 86 °F to 140 °F
- › Ready for connection with a three-prong plug
- › Encapsulated corrosion-free stainless-steel heating cartridges
- › Available touch protection option
- › Max. operating pressure: 232 psig



CLEARPOINT® H	S040	S050
Pipe size (NPT)	3/8"	1/2"
Max. volume flow at 100 psig	30 scfm	60 scfm
Setting range compressed-air outlet temperature (°F)*	+86 °F - +140 °F	+86 °F - +140 °F
Max. perm. operating overpressure (psig)	232	232
Pressure difference	< 2.18 psig	< 2.9 psig
Voltage**	115 VAC / 60 Hz +/-10 %	115 VAC / 60 Hz +/-10 %
Inlet temperature (°F)	+36 °F - +122 °F	+36 °F - +122 °F
Ambient temperature (°F)	+36 °F - +122 °F	+36 °F - +122 °F
Internal safety switch-off temperature (°F)	+183 °F	+183 °F
Max. housing temperature (°F)	+176 °F	+176 °F
Max. compressed-air outlet temperature (°F)*	+140 °F	+140 °F
Power (W)***	420 (750)	420 (750)
Volume (l)	0.42	0.42
Weight (lbs)	5.3	5.3
Protection class	IP 54	IP 54

* Depending on volume flow

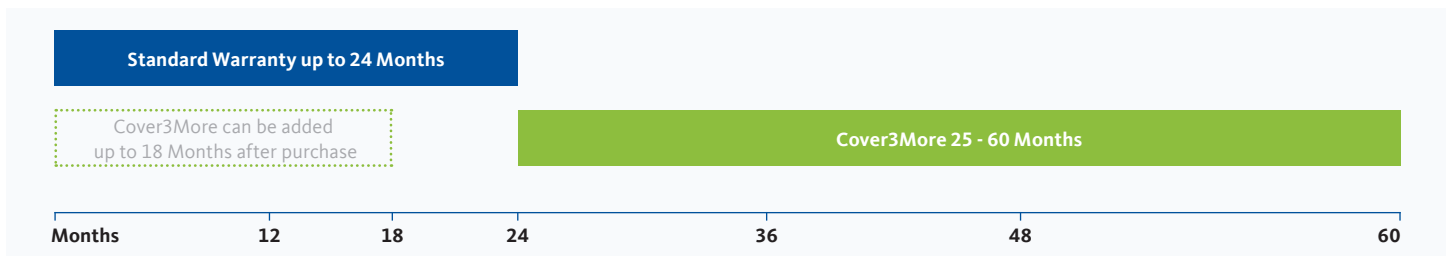
** Other voltages on request

*** At +68 °F: making current max. 4 A, making capacity max. 750 W

+3
Years on all
Products

ask your
**sales
representative**
for complete details
and extend your full
warranty today

At a Glance



Cover3More is available on all our product lines

DRYPOINT® RA	Refrigerant Air Dryers	BEKOMAT®	Zero Air Loss Drains
DRYPOINT® X / AC	Desiccant Air Dryers	QWIK-PURE®/ÖWAMAT®	Oil-water Separators
DRYPOINT® M	Membrane Air Dryers	METPOINT®	Instrumentation
CLEARPOINT®	Filters and Water Separators	BEKOKAT®	Hydrocarbon Removal Systems

How it Works

1. Select the product or products that you wish to cover with the extended warranty.
2. Simply add 8% to the net price of each product or call your sales representative if you need help calculating your final net price.
3. Include this information as a line item with your purchase order or purchase the warranty extension up to 18-months post-sale.

What we need from you: It's not much. In fact, if you are purchasing the Cover3More extended warranty with a new equipment purchase, all you have to do is include a line item on your order indicating which items you wish you cover, and we will take care of the rest. If you happen to be adding coverage to a product you've already taken delivery of, then all we need is the company name and contact information of the original purchaser, the product model number of the product to be covered, serial number, and original purchase order number or BEKO Technologies invoice number, and we will apply coverage appropriately. **Please feel free to contact us at +1 (800) 235-6797 to get started.**

All maintenance procedures, including filter element changes, must be carried out in accordance with the manual in order to maintain any warranty.

■ Compare

We give you more: In addition to a robust, standard 2-year warranty on BEKO Technologies products, we offer our customers the option of extending the standard warranty even further with the **Cover3More** program – a low cost, all-encompassing, and simple warranty extension program.

- › Extends the standard factory warranty for an additional 3-years
- › May be purchased at any time up to 18-months post-sale
- › No hassle and easy to calculate without any hidden costs

Secure your future with a minimal investment. The **Cover3More** extended warranty program from BEKO Technologies ensures that your investment is covered for a total of 5-years at a nominal cost.

- › 2-year standard warranty covers parts and labor
- › 3-year extended warranty covers parts only, no parts restrictions
- › Significantly reduces your risk of having unexpected costs

Reliability you can count on: With the Cover3More extended warranty program, BEKO Technologies not only lengthens the standard warranty period by 3-years from the installation date, but also draws on the company's vast compressed air industry experience to quickly resolve any product problems you may experience in the least disruptive way possible, thereby keeping downtime to an absolute minimum. Should a repair be required, it will be handled by qualified, authorized personnel, and only original parts will be used.

What's in the fine print: The optional 36-month warranty extension (i.e. Cover3More) is a limited extended warranty that covers parts only from months 25-60.

However, all of the aforementioned installation, performance, and quality requirements must still be met in order to maintain extended warranty coverage. Failure to do so will render all warranties null and void.

The limited extended warranty coverage may be purchased and applied to any of the BEKO Technologies product lines included in the scope of the Cover3More extended warranty program from the original date of purchase from BEKO Technologies to 18-months thereafter.

Extended warranty coverage may not be purchased during the final 6-months of the standard warranty coverage, which are months 19-24 from the date of shipment or at BEKO Technologies' discretion, the date of installation.

The purchase price of the Cover3More limited extended warranty is not prorated and the current published purchase price is always applied.

Should the extended warranty coverage be purchased post-delivery or post-sale, then the serial number of all products to which the warranty shall be extended must be provided to BEKO Technologies at the time of purchase of the extended warranty.

Reliable | Efficient | Innovative

What can we do for you?



BEKO TECHNOLOGIES CORP.
900 Great Southwest Pkwy SW
Atlanta, GA 30336
USA

Phone +1 (404) 924-6900
www.bekousa.com

