

Dual Tower Heat Regenerative Desiccant Air Dryers - External Blower Purge 100 to 6000 SCFM

Altec AIR's HBP Series Heat Regenerative Desiccant Air Dryers also use heated air to regenerate the off-line tower. Additionally, a high-efficiency packaged blower assembly directs heated atmospheric air counter current through the desiccant bed, removing the water vapor collected from the previous drying cycle. Dew point spikes or heat bumps are mitigated by enabling the auxiliary cooling / stripping feature that uses a small percentage of dry process air (1.7%)

- Industrial Duty Blower
- ASME / CRN Approved Pressure Vessels
- Factory installed Filters w/ Differential Pressure Gauges and Pre-Filter Timer Drain
- Feature Rich ETL Listed Pro-Logic Controller w/ NEMA 4X Enclosure
- Regulated Purge Flow for Optimum Setting, Regardless of Operating Pressure
- ISO 8573.1 Class 2 -40°F/C Standard Outlet Dewpoint



FEATURES

- Power Requirements (model specific) -
 - 120 VAC, 1 Phase, 60 Hz
 - 230 VAC, 1 Phase, 60 Hz
 - 460 VAC, 3 Phase, 60 Hz
- Maximum Pressure - 150 PSIG Standard
- Maximum Operating Temperature - 120°F / 49°C
- Tower Pressure Gauges & Dew Point Indicators
- Welded Frame Base - Easy Move With Forklift
- OSHA Approved Mufflers
- Desiccant Fill & Drain Ports
- ASME Safety Relief Valves

OPTIONS

- Alternate Voltages
- EcoTronic Dew Point Demand Control
- Dual Filter & Bypass Packages
- Environment Temperature Protection Kits
- High Pressure (200 PSIG) Models
- Upgraded Controller
- Stainless Steel Control Tube & Fittings
- Bolt-Down Construction

Call for all Available Options

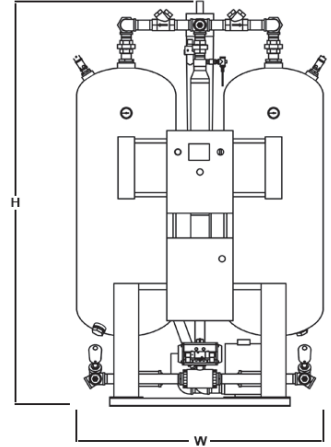
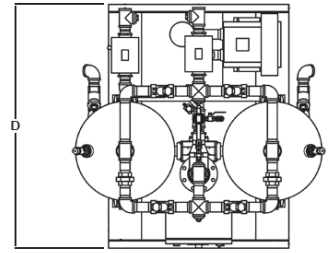
www.AltecAIR.com
800.521.5351

Altec | AIR
HBP SERIES
DUAL TOWER HEAT REGENERATIVE DRYERS

HBP Series

SPECIFICATIONS & DIMENSIONS

	INLET Flow (SCFM @ 100 PSIG)	Inlet / Outlet Ports (NPT)	Power Requirement	Heater (KW)	Dimensions W x D x H (in)	Weight (lbs)
HBP-0100-1	100	1"	120 VAC, 1 Ph, 60 Hz	1.5	27 x 37 x 80	650
HBP-0130-1	130			2.2		705
HBP-0200-2	200	1-1/2"	230 VAC, 1 Ph, 60 Hz	3.0	32 x 40 x 91	950
HBP-0250-2	250			6.0	26 x 44 x 91	1,095
HBP-0300-4	300			7.5	26 x 44 x 91	1,240
HBP-0400-4	400	2"	460 VAC, 3 Ph, 60 Hz	12.0	32 x 48 x 94	1,595
HBP-0550-4	550			12.0	44 x 55 x 96	1,880
HBP-0650-4	650			12.0	44 x 55 x 96	2,030
HBP-0800-4	800			15.0	44 x 59 x 98	2,595
HBP-1000-4	1000			18.0	48 x 65 x 103	2,845
HBP-1250-4	1250	3" (FLG)	460 VAC, 3 Ph, 60 Hz	25.0	90 x 74 x 100	4,885
HBP-1500-4	1500			25.0	90 x 74 x 100	5,260
HBP-2000-4	2000	4" (FLG)	460 VAC, 3 Ph, 60 Hz	38.0	96 x 84 x 121	7,065
HBP-2500-4	2500			50.0	96 x 84 x 126	8,030
HBP-3000-4	3000			50.0	90 x 94 x 112	8,630
HBP-4000-4	4000	6" (FLG)	460 VAC, 3 Ph, 60 Hz	75.0	120 x 123 x 113	13,985
HBP-5000-4	5000			90.0	163 x 129 x 117	16,055
HBP-6000-4	6000			110.0	172 x 135 x 116	18,380



* Units 4000 SCFM and larger with factory packaged filters are provided on two bases designed to bolt together at installation.

Sizing based on the Compressed Air and Gas Institute CAGI ADF 200 Standard for Compressed Air of 100 PSIG inlet pressure, 100°F inlet temperature and -40° F pressure dew point providing ISO Quality to standard 8573-1 rating 1-2-1 for Compressed Air Quality.

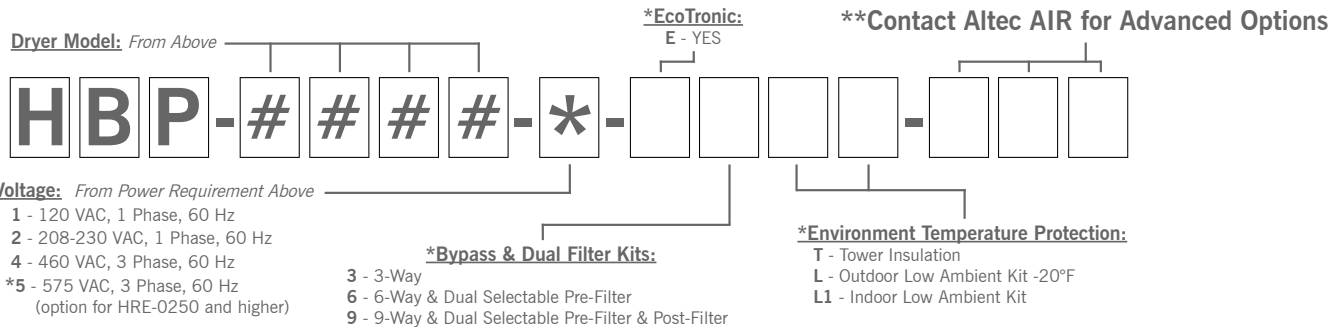
MULTIPLIER TABLES

Sizing Dryers for Variable Conditions

$$\text{Maximum Inlet Flow (-40° F/C PDP)} = \text{INLET Flow (above)} \times \text{Inlet Pressure Correction Factor (A)} \times \text{Inlet Temp Correction Factor (B)}$$

Actual Pressure (PSIG)	60	70	80	90	100	110	120	130	140	150
Correction Factor (A)	0.66	0.72	0.82	0.90	1.00	1.07	1.15	1.24	1.33	1.40
Inlet Temp (°F)	80		90		100		110		120	
Correction Factor (B)	1.40		1.32		1.00		0.75		0.58	

MODEL CONFIGURATION



For more complete information on Altec AIR products and services, visit us on the web at www.AltecAIR.com. Material and specifications are subject to change without notice. Featured units in photos may include optional features. Please contact an Altec AIR representative for all available options. Altec AIR logo is a registered trademarks of Altec Inc. in the United States and various other countries and may not be used without permission. © 2022 Altec AIR. All Rights Reserved. SPEC-HBP-0323



CONTACT US | 800.521.5351 | SALES@ALTECAIR.COM | ALTECAIR.COM