

## Desiccant Air Dryers 3.0 to 50 SCFM

HR Series Heatless Desiccant Air Dryers are the perfect companion to smaller horsepower compressed air systems for providing ultra-dry clean air.

- 8 Models Available to Match Your Application Requirements and Minimize Energy Loss
- Spring Loaded Desiccant Beds Help to Extend the Life of the Desiccant Packed in Each Tower
- Compact Design with Simple, Versatile Mounting and Installation Options
- Fully Re-Pressurizing Design for Steady Outlet Pressure and Flow
- Standard NEMA 4X Electrical Rating
- ISO 8573.1 Class 2 -40°F/C Standard Outlet Dew Point



### FEATURES

- Outlet Dew Points
  - -40° F/C Pressure Dew Point (PDP) - Standard
  - -100°F / -73°C Pressure Dew Point (PDP) - Available
- Available Input Voltages
  - 120 VAC
  - 240 VAC
  - 12 VDC
  - 24 VDC
- Maximum Pressure - 150 PSIG
  - \*12 VDC versions of the HR5, HR6, HR6.5, HR7 have a maximum pressure of 125 PSIG*
- Maximum Inlet Temperature - 120°F / 49°C

### OPTIONS

- Moisture Indicator
- Tower Pressure Gauges
- Filtration Kit -
  - 5 Micron and 0.01 Micron Prefilters
  - 0.5 Micron Afterfilter
- Filter / Regulator Kit -
  - Filtration Kit (above)
  - Outlet Regulator & Gauge
- Floor Stand
- High Pressure (175 PSIG) Models\*

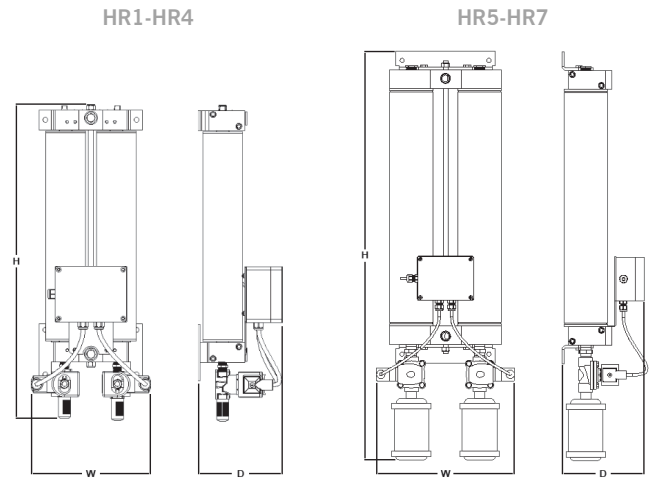
[www.AtecAIR.com](http://www.AtecAIR.com)  
**800.521.5351**

**Atec | AIR**  
HR SERIES  
DESICCANT AIR DRYERS

# HR Series

	HR1	HR2	HR3	HR4	HR5	HR6	HR6.5	HR7	
SPECIFICATIONS	INLET Flow (SCFM @ 100 PSIG)	3.0	6.0	9.0	12.0	16.0	25.0	35.0	50.0
	PURGE Flow (SCFM @ 100 PSIG)	0.8	1.6	2.4	3.2	3.4	5.4	7.8	10.8
	OUTLET Flow (SCFM @ 100 PSIG)	2.2	4.4	6.6	8.8	12.6	19.6	27.2	39.2
	Inlet / Outlet Ports (NPT)	3/8"				1/2"			

	Weight (lbs)	Height (in)	Width (in)	Depth (in)	
DIMENSIONS	HR1	8.0	13.6	7.4	5.2
	HR2	9.0	18.2		
	HR3	10.0	17.3		
	HR4	11.0	21.1		
	HR5	29.0	33.0	9.5	6.5
	HR6	34.0	41.9		
	HR6.5	59.0	39.3	10.0	7.0
	HR7	65.0	46.3		



## For INLET Pressures other than 100 PSIG

Maximum Inlet Flow (-40° F/C PDP) = INLET Flow (above) x INLET Flow Factor (A) @ Actual Pressure (below)

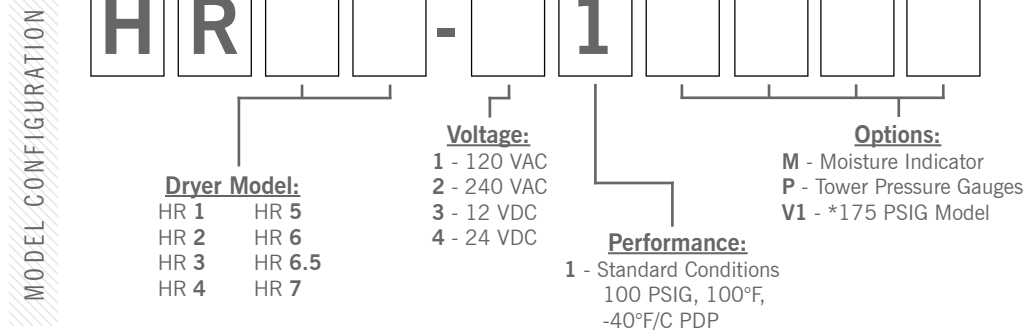
Maximum Inlet Flow (-100°F/-73°C PDP) = INLET Flow (above) x INLET Flow Factor (B) @ Actual Pressure (below)

Purge Flow = PURGE Flow (above) x PURGE Flow Factor (C) @ Actual Pressure (below)

Rated OUTLET Flow = Calculated Maximum Inlet Flow - Calculated Purge Flow

Actual Pressure (PSIG)	50	60	70	80	90	100	110	120	130	140	150	175*
INLET Flow Factor (A) (8573.1 Class 2)	0.32	0.43	0.55	0.69	0.84	1.00	1.09	1.18	1.26	1.35	1.44	1.66
INLET Flow Factor (B) (8573.1 Class 1)	0.25	0.33	0.43	0.53	0.65	0.75	0.85	0.88	0.95	1.01	1.08	1.24
PURGE Flow Factor (C)	0.56	0.65	0.74	0.83	0.91	1.00	1.11	1.18	1.26	1.35	1.43	1.65

\* 175 PSIG Requires the V1 Option to be selected.



## Need A Custom Sized Air Dryer?

Contact Altec AIR for assistance selecting the right dryer for your application. All you need is the required dew point, operating pressure, and the required inlet or outlet flow rate.

For more complete information on Altec AIR products and services, visit us on the web at [www.AltecAIR.com](http://www.AltecAIR.com). Material and specifications are subject to change without notice. Featured units in photos may include optional features. Please contact an Altec AIR representative for all available options. Altec AIR logo is a registered trademarks of Altec Inc. in the United States and various other countries and may not be used without permission.  
 © 2019 Altec AIR. All Rights Reserved. SPEC-HR-1022