



# D375PHKR

*PORTABLE COMPRESSOR 375 CFM*  
**DEPENDABLE BY DESIGN**



 **Sullivan**  
**Palatek**





Sullivan-Palatek, based in Michigan City, excels in high-end industrial air compressors, with a focus on reliability and American job support through local assembly. Their value proposition includes quality, efficiency, customer support, cost-effectiveness, sustainability, expertise, and compliance. With a track record of over 1,000 years of collective knowledge, Sullivan-Palatek is a trusted and stable choice for compressed air needs.

Unlock unmatched versatility with Sullivan Palatek's D375PHKR. The D375PHKR delivers unparalleled flexibility, allowing multiple pressure and flow settings to precisely match your application needs. Say goodbye to juggling multiple machines—optimize your fleet investment, improve utilization, and experience a higher return on investment. The D375PHKR model, featuring a legendary air end and Kohlers Tier 4 Final Engine, ensure peak efficiency, extended service intervals, unmatched reliability, and the lowest cost of ownership. Elevate your performance; choose power and precision in one.



# What Sets



# Sullivan Palatek Apart?

## Reliability and Durability:

All compressors in our collection are engineered for heavy-duty tasks, ensuring reliable and durable performance in challenging environments.

## Versatility in Applications:

Whether it's construction, sandblasting, or general air tool use, our compressors are versatile and adaptable, catering to a wide range of applications.

## Dual Pressure Capability:

Allowing for flexibility in adjusting pressure settings according to specific application needs.

## Sullivan-Palatek Air End

130mm rotor design, ensuring reliability, efficiency, and longer maintenance intervals.

## Efficiency and Fuel Economy:

Emphasizing efficiency, our compressors feature advanced technology to maximize air output while minimizing fuel consumption, resulting in cost-effective operation.

## Environmental Compliance:

Complying with environmental standards, many models feature Tier 4 Final engines, reducing emissions to near-zero levels and contributing to a cleaner working environment.

## Innovative Control Systems:

Advanced control systems, such as the Sullivan Palatek Electronic Controller (SPEC) control panel, provide operators with real-time data, easy monitoring, and the ability to adjust settings during operation.

## Safety Features:

Safety is a priority, with features like automatic shutdowns in place to avoid damage and costly repairs, contributing to a secure working environment.

## Ease of Use and Maintenance:

User-friendly designs, intuitive control panels, and easily accessible service points streamline operation and maintenance, minimizing downtime and ensuring optimal performance.

## Portable Design:

Designed for mobility, these compressors feature compact and lightweight designs, making them easy to tow and maneuver on various job sites.

## Sound Dampening Technology

Enclosed within sound dampening enclosures, our compressors operate quietly, minimizing noise levels for improved working conditions.

## Warranty Assurance:

Three-year, unlimited-hour air end warranty, providing peace of mind and ensuring long-term performance.





Sullivan-Palatek ensures the dependability of their air compressors through an industry-leading warranty, offering benefits such as confidence in product quality, peace of mind with extended coverage, and robust customer support. Standard Warranty: One-year package and three air end warranty with recommended OEM parts and lubricants.

Choosing Sullivan-Palatek PAL-Parts for air compressors is a wise investment, especially for critical equipment. Benefits include:

**Quality Assurance:** PAL-Parts meet the same quality standards as original components.

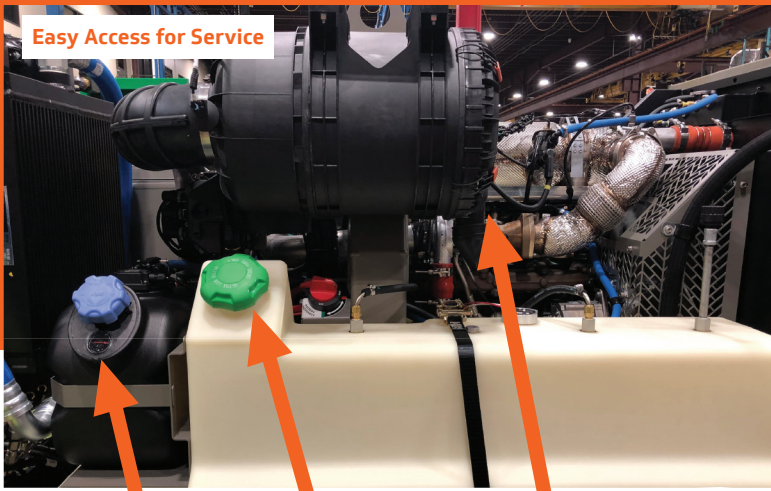
**Exact Fit:** Designed for seamless integration, PAL-Parts facilitate efficient installations, minimizing downtime.

**Warranty Preservation:** Designed for seamless integration, PAL-Parts facilitate efficient installations, minimizing downtime.

**Consistent Performance:** PAL-Parts ensure ongoing optimal performance, avoiding variables from non-PAL alternatives.

Opt for PAL-Parts to ensure longevity and ROI. Follow the manufacturer's maintenance schedule and consult your authorized distributor for optimal performance and service



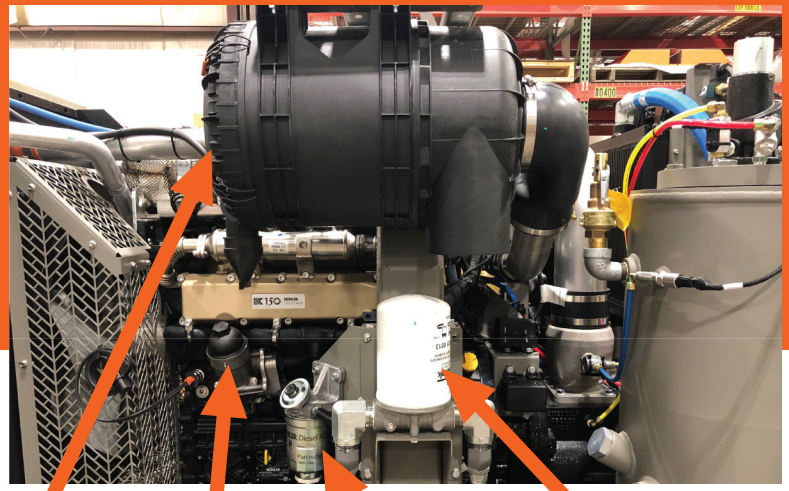


Easy Access for Service

DEF Tank

Fuel Tank

Compressor Air Filter



Engine Air Filter Engine

Oil Filter

Fuel Filter

Compressor Oil Filter

Sullivan-Palatek WEATHER-ALL™ COMPRESSOR FLUID is designed for all types of rotary screw air compressors used in varying conditions encountered in the construction industry. Sullivan-Palatek's Weather-All is formulated as a 5W-20 Multi-Viscosity fluid with additives for maximum protection against scuffing and wear to bearings and rotors.

Extensive testing has shown this fluid exhibits excellent resistance to foaming, oil oxidation and corrosion.

Special attention has been made toward limiting rust of ferrous metals and corrosion of yellow metals.



# SmartEquip®

## Be Ready.

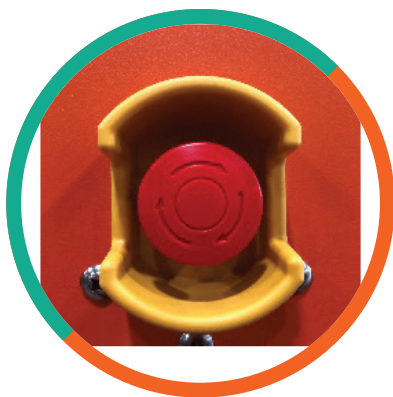
Sullivan Palatek is partnered with SmartEquip that connects equipment owners and manufacturer suppliers all on one network, allowing for accurate, efficient parts procurement, increasing uptime and revenue with the click of a button.

Rely on Sullivan-Palatek's authorized independent distributors for complete aftermarket and service support. Our network provides customer service, technical support, and professional air audits, offering expert advice on compressed air solutions and skilled routine maintenance by factory-trained personnel.



**Optional:**  
After Cooler  
Filter

Remote Drains



Emergency  
Stop

LED Stop, Turn,  
Tail Lights

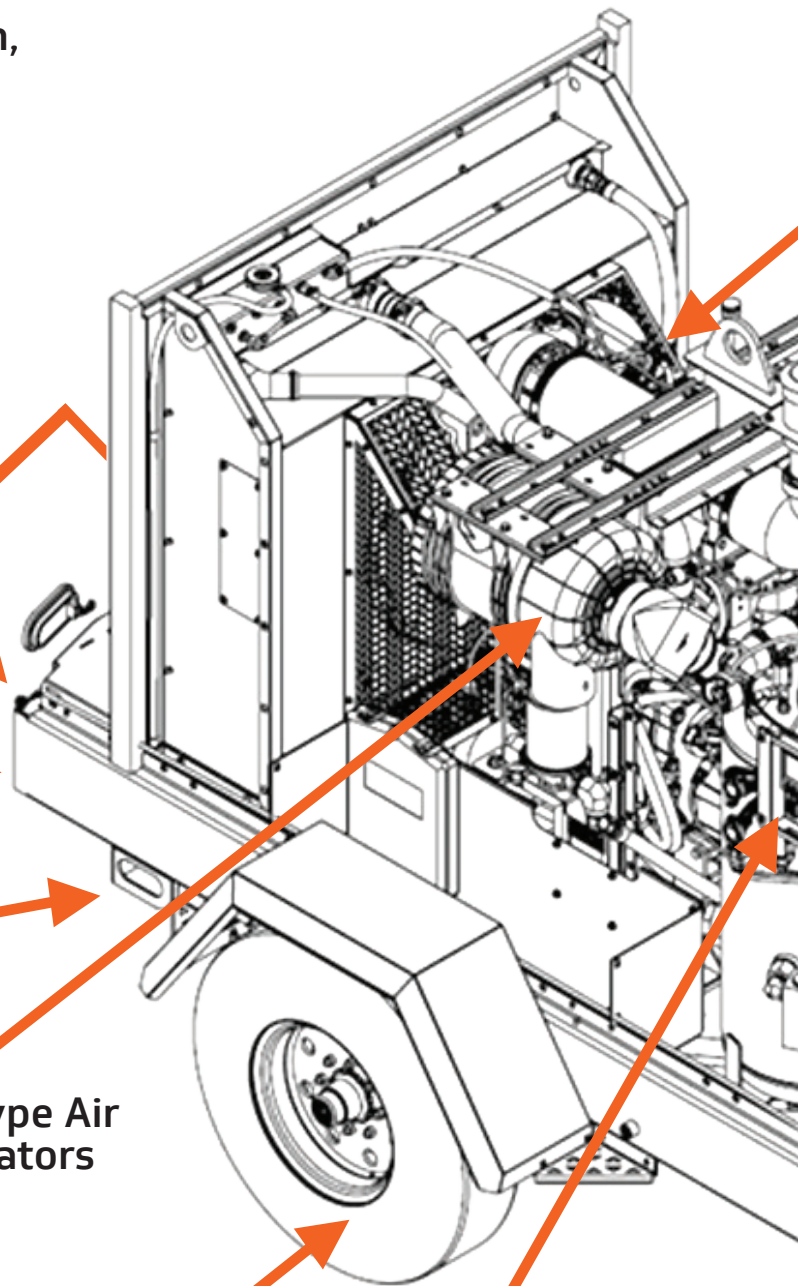
Tie Downs

Two Stage Dry Type Air  
Filter with Indicators

Leaf Springs with Electric  
Brakes with 15" Tires

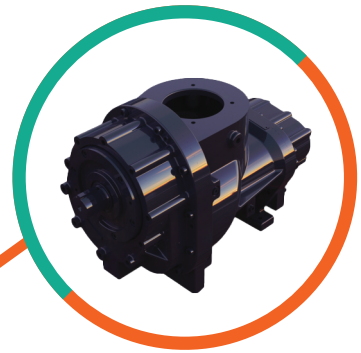


Sullivan-Palatek Electronic Controller (SPEC)  
Digital Readouts:  
» Compressor Temperature  
» Discharge Pressure



Kohler Tier4  
Final 134hp

Two Stage Dry Type Air  
Filter with Indicators



Large, 130mm Diameter  
Twin Screw Air End

DEF Tank



Deka® 12 Volt  
Marine Master  
· 800 CCA

Full Containment  
Frame

**Choice of:**

Lunette Eye Hitch

Ball Hitch



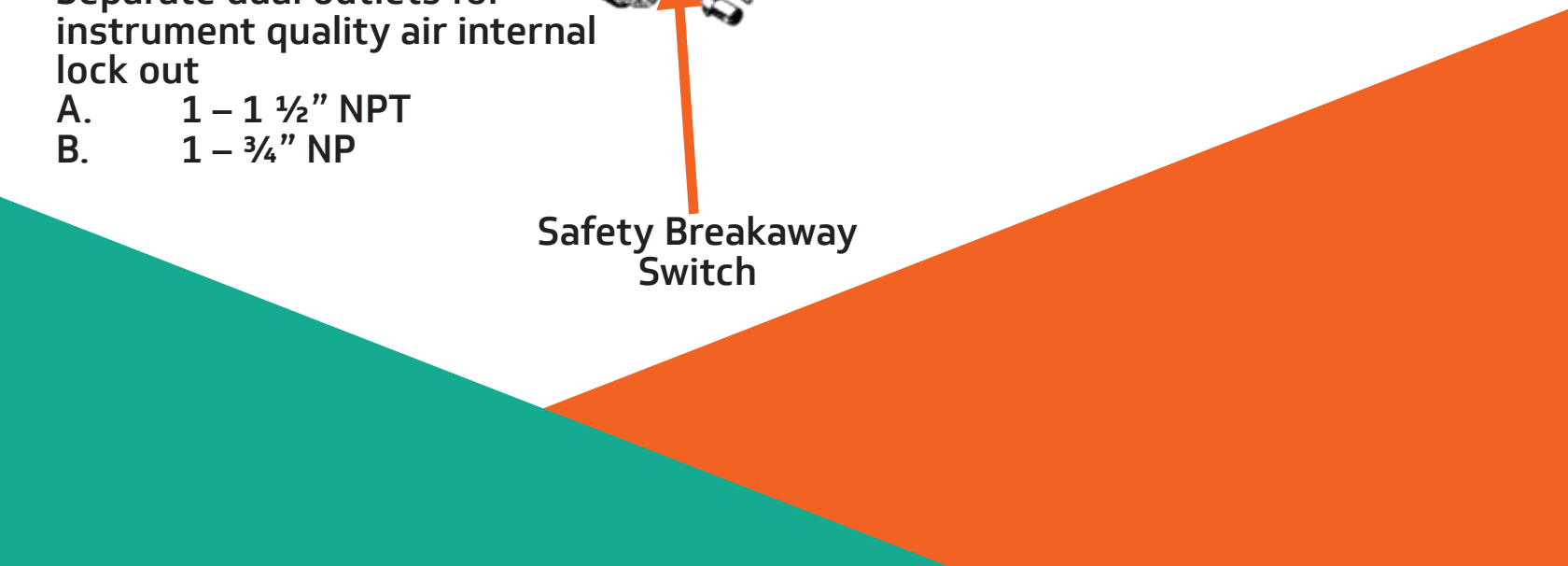
Tie Downs

A  
B

Separate dual outlets for  
instrument quality air internal  
lock out

- A. 1 - 1 1/2" NPT
- B. 1 - 3/4" NP

Safety Breakaway  
Switch



# SPECIFICATIONS

## Compressor

Model	D375PHKR
Rated Delivery	375 CFM (10.6 m <sup>3</sup> /min)
Rated Operating Pressure	150 psig (10.4 Bar)
Operating Pressure Range	70-170 psig (4.9 - 11.72 Bar)
Estimated Weight, Serviced	5,000 lbs
Dimensions L x W x H - in" (w/o Running Gear L x W x H)	151" x 79" x 77.5" (101" x 56.5" x 53.5")

## Engine

Type	Diesel
Make & Model	KOHLER TIER 4 FINAL KDI3404
Idle Speed	1600 RPM
Fuel Tank Capacity	60 gal (227 L)
Horsepower @ rated RPM	134 hp (99.9 kW)
Full Load Speed	2200 RPM
DEF Tank*	4.2 gal (16 L)

\*DEF Fluid Required

## OPTIONS

- » 2 5/16 Ball Hitch
- » Bulldog Hitch
- » 200 PSIG (350 CFM at 1900 RPM)
- » Less Running Gear
- » Cold Weather Kit
- » Aftercooler and Filter for Instrument Quality Air



Sullivan-Palatek Electronic Controller (SPEC)



## FEATURES

- » Large, 130mm Diameter Twin Screw Air End
- » Exclusive Three Year Warranty on Air End, Unlimited Hours
- » Automatic 0 to 100% Capacity Control
- » Two Stage Dry Type Air Filter with Indicators
- » Oil Level Sight Gauge
- » Choice of Lunette Eye or Ball Hitch on Height Adjustable Drawbar
- » Noise Level Limited to Maximum of 76 dBA at 7 Meters
- » Galvanneal Enclosure-Rust & Corrosion Resistant
- » Automatic Safety Shutdown
  - High Compressor Discharge Temperature
  - High Engine Temperature
  - Low Engine Oil Pressure
- » Full Containment Frame
- » Remote Drains
- » Automatic Blowdown Valve
- » LED Stop, Turn, Tail Lights
- » Unloaded Starting
- » E-Stop
- » Completely contained filtration
- » Ambient Oper. Temp. Range -40° to +125°F (-40° to +52°C)
- » Separate dual outlets for instrument quality air internal lock out
  - 1 - 1 1/2" NPT
  - 1 - 3/4" NPT

## CONTROLLER

### Sullivan-Palatek Electronic Controller (SPEC)

- Digital Readouts:
- » Compressor Temperature
  - » Discharge Pressure
  - » Engine Coolant Temperature
  - » Voltmeter
  - » Tachometer
  - » Fuel Level - Low Fuel Warning and Shutdown
  - » Complete Engine Diagnostic Tool
  - » Waterproof IP66/67
  - » Air Filter Service
  - » Aftercooler Filter Warning
  - » Measurement converter

## Sullivan-Palatek, Inc.

1201 West US Highway 20  
Michigan City, IN 46360

219.874.2497 | sullivan-palatek.com | info@palatek.com