

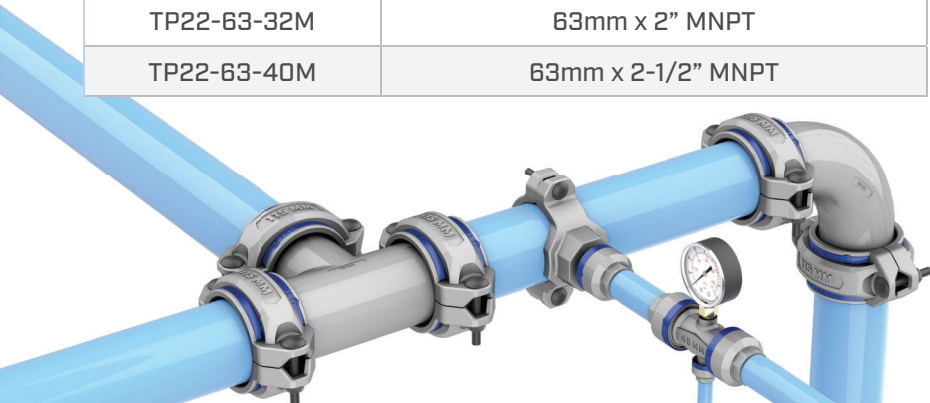
# STEM ADAPTER

PART NUMBER	SIZES
TP22-20-08F	20mm x 1/2" FNPT
TP22-20-08M	20mm x 1/2" MNPT
TP22-20-12M	20mm x 3/4" MNPT
TP22-25-08M	25mm x 1/2" MNPT
TP22-25-12M	25mm x 3/4" MNPT
TP22-25-16M	25mm x 1" MNPT
TP22-32-16M	32mm x 1" MNPT
TP22-32-24M	32mm x 1-1/2" MNPT
TP22-40-24M	40mm x 1-1/2" MNPT
TP22-50-24M	50mm x 1-1/2" MNPT
TP22-50-32M	50mm x 2" MNPT
TP22-63-32M	63mm x 2" MNPT
TP22-63-40M	63mm x 2-1/2" MNPT



## Features & Benefits

- Lightest product in the market—1/10th the weight of steel (same diameter)
- Fastest installed system—compared to all others available
- Structurally as strong as carbon steel
- Manufactured from non-corrosive marine grade aluminum—guaranteed highest quality air delivery
- Superior construction and design—allows highest flow rates and lowest pressure drops
- System flexibility—simple modifications and/or additions
- Exclusive Lifetime Warranty
- Manufactured from 100% recyclable materials
- Marine grade aluminum construction—prevents rust and system deterioration
- Zero corrosion—eliminates expensive production downtime and dramatically reduces maintenance costs
- Smooth internal diameter—ensuring higher flow rates with less turbulence than traditional iron pipe throughout the life of the system
- High quality powder coat finish
- Lowest cost of ownership available



**SCAN HERE**  
for additional details