

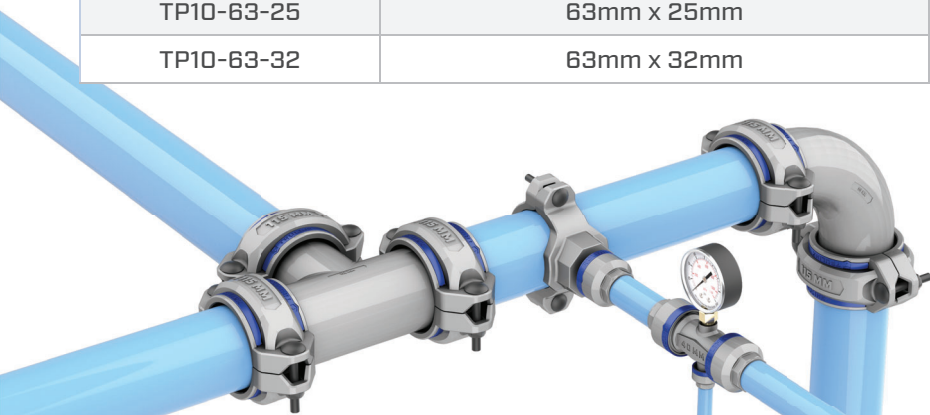
## OUTLET REDUCING TEE WITH WATER TRAP



PART NUMBER	SIZES
TP10-20-20	20mm x 20mm
TP10-25-20	25mm x 20mm
TP10-32-20	32mm x 20mm
TP10-32-25	32mm x 25mm
TP10-40-20	40mm x 20mm
TP10-40-25	40mm x 25mm
TP10-50-20	50mm x 20mm
TP10-50-25	50mm x 25mm
TP10-50-32	50mm x 32mm
TP10-63-20	63mm x 20mm
TP10-63-25	63mm x 25mm
TP10-63-32	63mm x 32mm

### Features & Benefits

- Lightest product in the market—1/10th the weight of steel (same diameter)
- Fastest installed system—compared to all others available
- Structurally as strong as carbon steel
- Manufactured from non-corrosive marine grade aluminum—guaranteed highest quality air delivery
- Superior construction and design—allows highest flow rates and lowest pressure drops
- System flexibility—simple modifications and/or additions
- Exclusive Lifetime Warranty
- Manufactured from 100% recyclable materials
- Marine grade aluminum construction—prevents rust and system deterioration
- Zero corrosion—eliminates expensive production downtime and dramatically reduces maintenance costs
- Smooth internal diameter—ensuring higher flow rates with less turbulence than traditional iron pipe throughout the life of the system
- High quality powder coat finish
- Lowest cost of ownership available



**SCAN HERE**  
for additional details