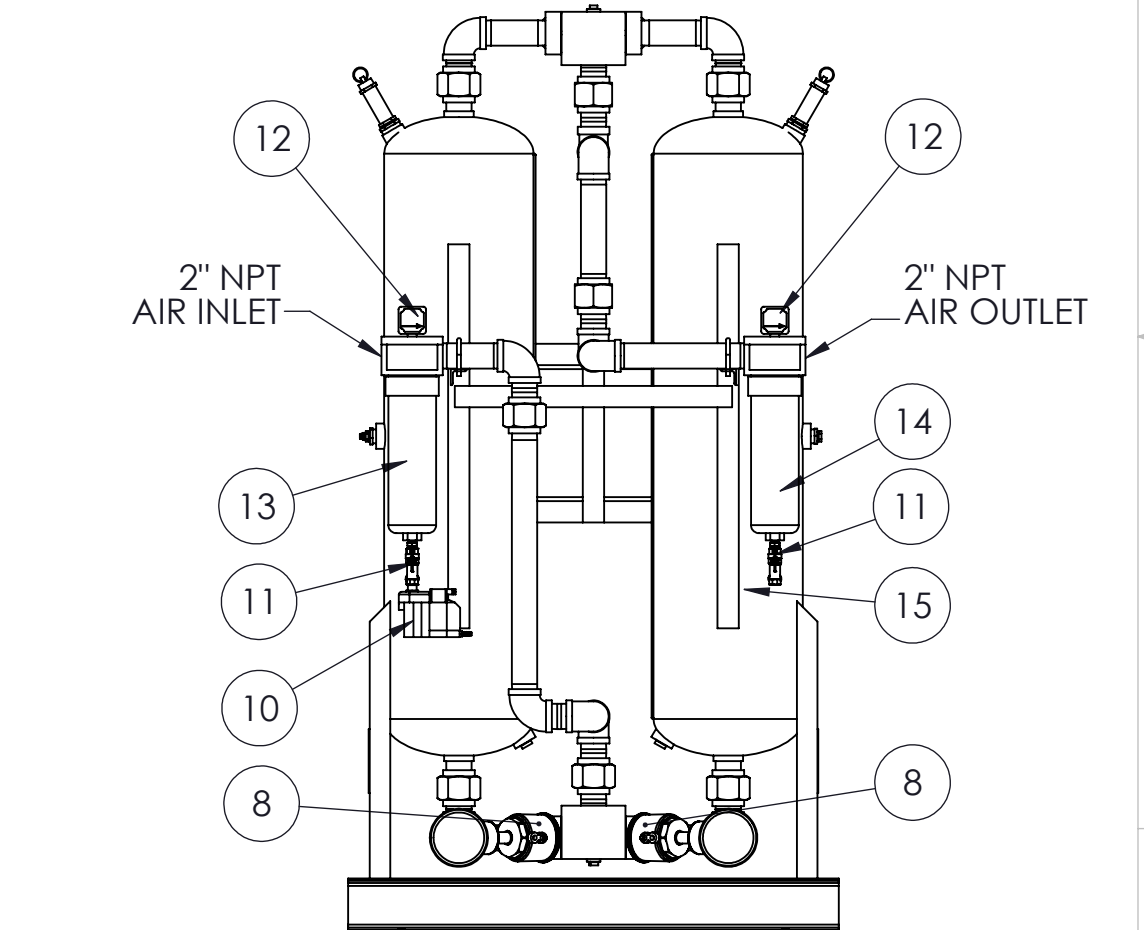




ITEM NO.	QTY.	STOCK #	Description
1	4	AG3289901	SCREEN ASSY, 2" NPT
2	2	AG3482377	VALVE, SAFETY RELIEF, 1"
3	1	AG3234801	REGULATOR, 1/4" NPT
4	2	AG3935114	DIFFUSER SCREEN, VESSEL DESSICANT BED
5	2	AG3933854	VALVE, SHUTTLE
6	2	AG3480089	GAUGE, PRESSURE, 0-200 PSIG
7	1	AG3935154	ELEMENT, PARTICULATE, F/PILOT AIR FILTER
8	2	AG3934929	VALVE, ANGLE BODY, 2" BRNZ, NC
9	2	AG3934192	MUFFLER, 2" MPT THREADED, AIR DRYER TYPE, WITH RELIEF
10	1	AG3939988	CONDENSATE DRAIN
11	2	AG3942303	VALVE, 1/2" FPT, BALL-Y-STRAINER COMBO
12	2	AG3940710	DIFFERENTIAL PRESSURE GAUGE
13	1	AG3487912	ELEMENT, COALESCING
14	1	AG3487911	ELEMENT, PARTICULATE
15	456 LBS	AG3319301	DESICCANT, ACTIVATED ALUMINA



UNLESS OTHERWISE SPECIFIED: DIMENSIONS ARE IN INCHES TOLERANCES: FRACTIONAL ± 0.125 ANGULAR: ± 0.5° TWO PLACE DECIMAL ± .03 THREE PLACE DECIMAL ± .003		NAME	DATE	 <b>COMPRESSED AIR AND GAS PRODUCTS</b> 323 CRISP CIRCLE MARYVILLE TENNESSEE 37801 PHONE: 865-681-7066 FAX: 865-681-7069		
 THIRD ANGLE PROJECTION		DRAWN	BH		7/7/15	
MATERIAL		CHECKED	MS	7/7/15	TITLE:	
FINISH		ENG APPR.			DRYER, DESICC, AHLD-450, PACK B, 1 PRE & AFTER FILTER, MECHANICAL SPARE PARTS	
DO NOT SCALE DRAWING		MFG APPR.				SIZE
		Q.A.			<b>B</b>	DWG. NO.
		COMMENTS:				AG9933240-B SPARE
					SCALE: 1:50	WEIGHT:
						SHEET 1 OF 1

**PROPRIETARY AND CONFIDENTIAL**  
 THE INFORMATION CONTAINED IN THIS DRAWING IS THE SOLE PROPERTY OF AIRCEL LLC. ANY REPRODUCTION IN PART OR AS A WHOLE WITHOUT THE WRITTEN PERMISSION OF AIRCEL LLC IS PROHIBITED.