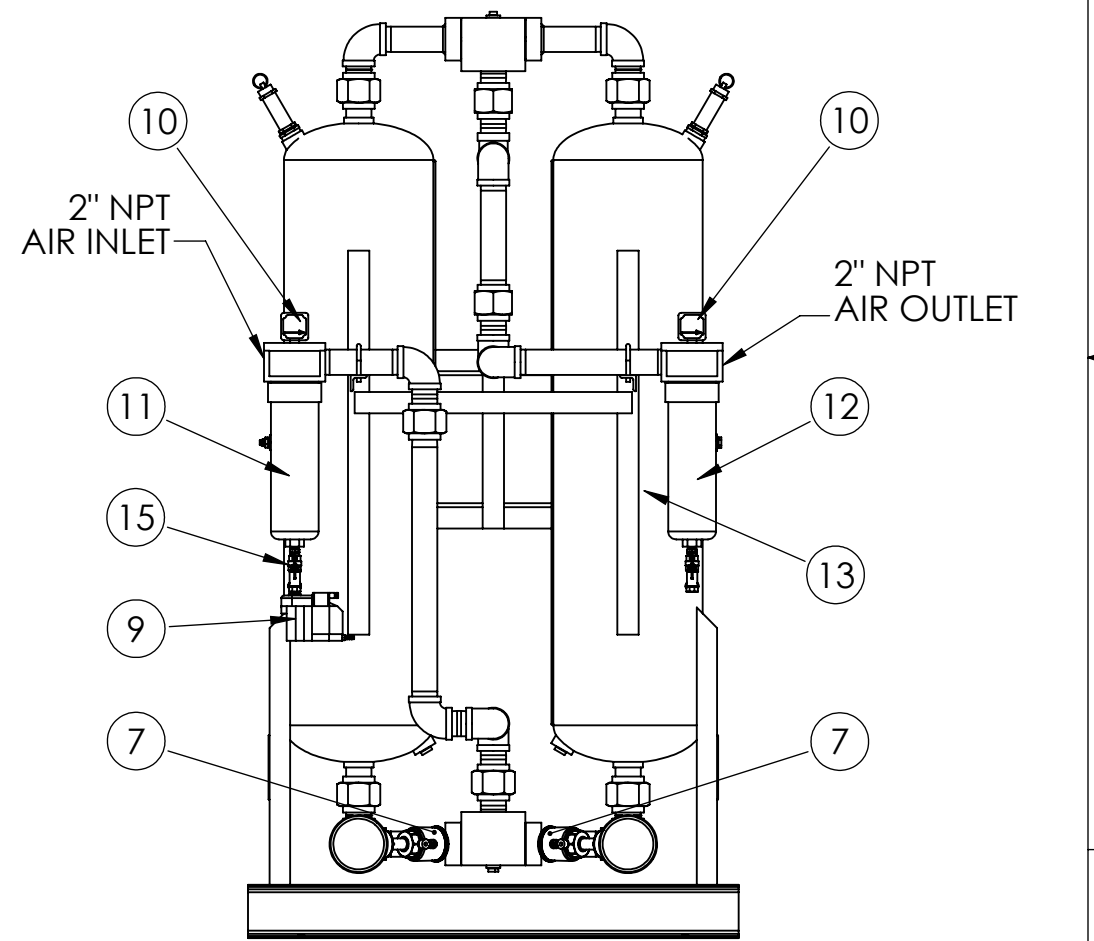


ITEM NO.	QTY.	STOCK #	Description
1	4	AG3289901	SCREEN ASSY, 2" NPT
2	2	AG3482377	VALVE, SAFETY RELIEF, 1"
3	2	AG3935114	DIFFUSER SCREEN, VESSEL DESSICANT BED
4	2	AG3933854	VALVE, SHUTTLE
5	2	AG3480089	GAUGE, PRESSURE, 0-200 PSIG
6	1	AG3935154	ELEMENT, PARTICULATE, F/PILOT AIR FILTER
7	2	AG3934927	VALVE, ANGLE BODY, 1-1/2"NPT
8	2	AG3934191	MUFFLER, 1.5" MPT THREADED, AIR DRYER TYPE, WITH RELIEF
9	1	AG3939988	CONDENSATE DRAIN
10	2	AG3940710	DIFFERENTIAL PRESSURE GAUGE
11	1	AG3487912	ELEMENT, COALESCING
12	1	AG3487911	ELEMENT, PARTICULATE
13	456 LBS	AG3319301	DESICCANT, ACTIVATED ALUMINA
14	1	AG3234801	REGULATOR, 1/4" NPT
15	2	AG3942303	VALVE, 1/2" FPT, BALL-Y-STRAINER COMBO



UNLESS OTHERWISE SPECIFIED:
 DIMENSIONS ARE IN INCHES
 TOLERANCES:
 FRACTIONAL: ± 0.125
 ANGULAR: ± 0.5°
 TWO PLACE DECIMAL ± .003
 THREE PLACE DECIMAL ± .0003

THIRD ANGLE PROJECTION

MATERIAL

FINISH

DO NOT SCALE DRAWING

	NAME	DATE
DRAWN	BH	7/7/15
CHECKED	MS	7/7/15
ENG APPR.		
MFG APPR.		
Q.A.		
COMMENTS:		

Aircel COMPRESSED AIR AND GAS PRODUCTS
 323 CRISP CIRCLE
 MARYVILLE TENNESSEE 37801
 PHONE: 865-681-7066
 FAX: 865-681-7069

TITLE: DRYER, DESICC, AHLD-350, PACK B, 1 PRE & AFTER FILTER, MECHANICAL SPARE PART

SIZE DWG. NO.
B AG9933140-B SPARE PTS

SCALE: 1:50 WEIGHT: SHEET 1 OF 1

PROPRIETARY AND CONFIDENTIAL
 THE INFORMATION CONTAINED IN THIS DRAWING IS THE SOLE PROPERTY OF AIRCEL LLC. ANY REPRODUCTION IN PART OR AS A WHOLE WITHOUT THE WRITTEN PERMISSION OF AIRCEL LLC IS PROHIBITED.