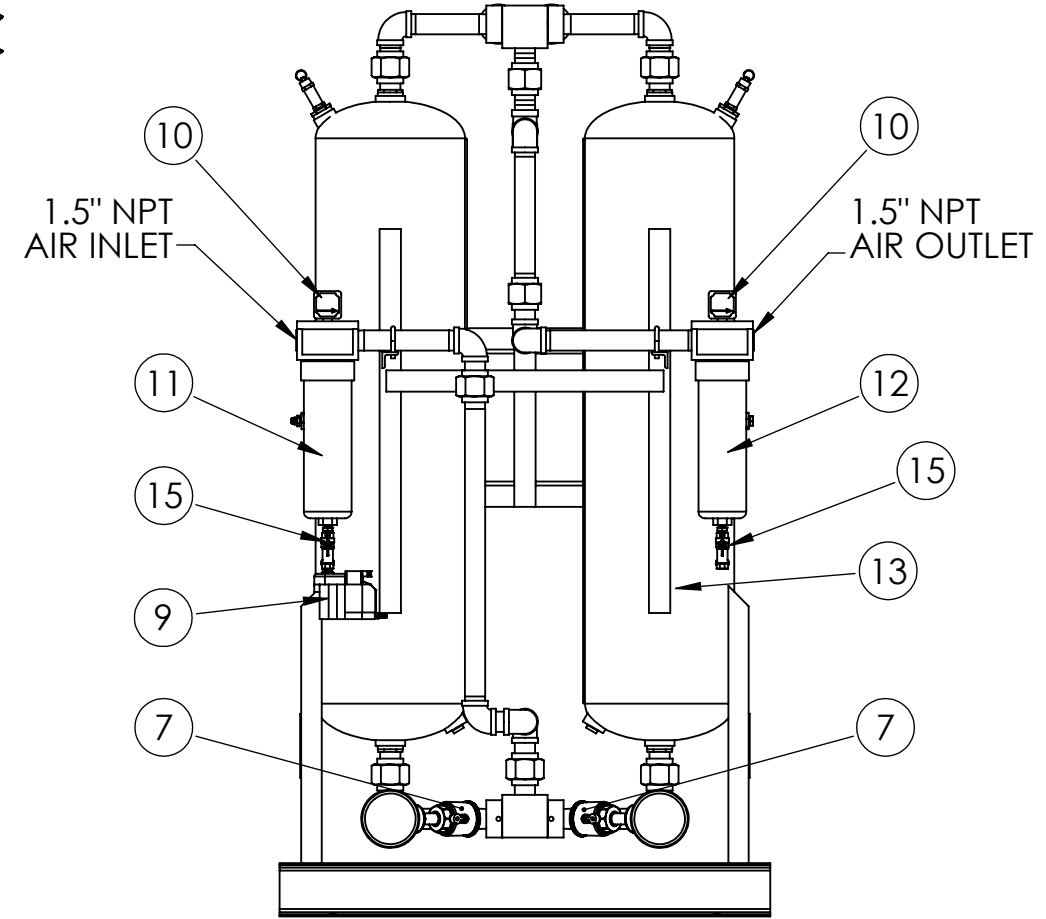




ITEM NO.	QTY.	STOCK #	Description
1	4	AG3289801	SCREEN ASSY, 1.5" NPT
2	2	AG3482444	VALVE, SAFETY RELIEF, 1/2"
3	2	AG3935114	DIFFUSER SCREEN, VESSEL DESSICANT BED
4	2	AG3933846	VALVE, SHUTTLE, 1.5"
5	2	AG3480089	GAUGE, PRESSURE, 0-200 PSIG
6	1	AG3935154	ELEMENT, PARTICULATE, F/PILOT AIR FILTER
7	2	AG3934927	VALVE, ANGLE BODY, 1-1/2"NPT
8	2	AG3934191	MUFFLER, 1.5" MPT THREADED, AIR DRYER TYPE, WITH RELIEF
9	1	AG3939988	CONDENSATE DRAIN
10	2	AG3940710	DIFFERENTIAL PRESSURE GAUGE
11	1	AG3487812	ELEMENT, COALESCING
12	1	AG3487811	ELEMENT, PARTICULATE
13	456 LBS	AG3319301	DESICCANT, ACTIVATED ALUMINA
14	1	AG3234801	REGULATOR, 1/4" NPT
15	2	AG3942303	VALVE, 1/2" FPT, BALL-Y-STRAINER COMBO, FORGED BRASS BODY, 600 PSI W.O.G



UNLESS OTHERWISE SPECIFIED:		NAME	DATE	 COMPRESSED AIR AND GAS PRODUCTS 323 CRISP CIRCLE MARYVILLE TENNESSEE 37801 PHONE: 865-681-7066 FAX: 865-681-7069
DIMENSIONS ARE IN INCHES TOLERANCES: FRACTIONAL ± 0.125 ANGULAR: ± 0.5° TWO PLACE DECIMAL ± .03 THREE PLACE DECIMAL ± .003		DRAWN	BH	
 THIRD ANGLE PROJECTION		CHECKED	MS	7/7/15
		ENG APPR.		
MATERIAL		MFG APPR.		
		Q.A.		
FINISH		COMMENTS:		TITLE:
		DO NOT SCALE DRAWING		DRYER, DESICC. AHLD-300 PACK B, 1 PRE & AFTER FILTER, MECHANICAL SPARE PARTS
		SIZE	DWG. NO.	
		B	AG9933040-B SPARE PTS	
		SCALE: 1:50	WEIGHT:	SHEET 1 OF 1

PROPRIETARY AND CONFIDENTIAL
 THE INFORMATION CONTAINED IN THIS DRAWING IS THE SOLE PROPERTY OF AIRCEL LLC. ANY REPRODUCTION IN PART OR AS A WHOLE WITHOUT THE WRITTEN PERMISSION OF AIRCEL LLC IS PROHIBITED.