



Medical Vacuum

Models | A30025MV to A31500MV

Designed for use in critical medical applications to remove solid, liquid and bacterial contamination in vacuum systems, Walker Filtration's Medical Vacuum Filters guarantee a safe and reliable product that is trusted by hospitals worldwide.

Situated on the suction side of a vacuum pump, the Alpha Series of Medical Vacuum Filters are essential to avoiding damage to vacuum pumps and preventing potentially hazardous biological contagions from being exhausted into the surrounding environment.

Third party tested and validated in accordance with NFPA 99, HTM 02-01, ISO 7396-1 and AS 2896



Filtration Technology

Filtration efficiency in excess of 99.9999%



Product Safety in Mind

Easily removable sterilizable drain flask and differential pressure monitor supplied as standard



Push Fit Element Design

Quick and easy maintenance with unique push fit element design

- **High Efficiency Medical Grade Filter Element** Custom engineered filter media and deep pleated element technology provides minimal pressure loss and filtration efficiencies in excess of international medical gas standards
- **International Medical Gas Standards** Fully compliant with global medical gas pipeline systems standards ISO 7396-1, NFPA 99, HTM 02-01 and AS 2896
- **Quick and Easy Maintenance** Unique push fit element design allows for easy maintenance, significantly reducing service time and contact time for service engineers with contaminated filter elements
- **Advanced Filtration Technology** Low pressure loss borosilicate glass microfiber-media and open cell reticulated foam pre-filtration layer captures particulates, bacteria and liquid aerosols reducing energy consumption and overall system costs for low total cost of ownership
- **Corrosion Protection** Internal and external electrophoretic painting followed by a tough exterior polyester powder coating
- **Product Safety in Mind** Quality design and build. Guaranteed safe housing closure with rotational safety stop



For further information please visit www.walkerfiltration.com



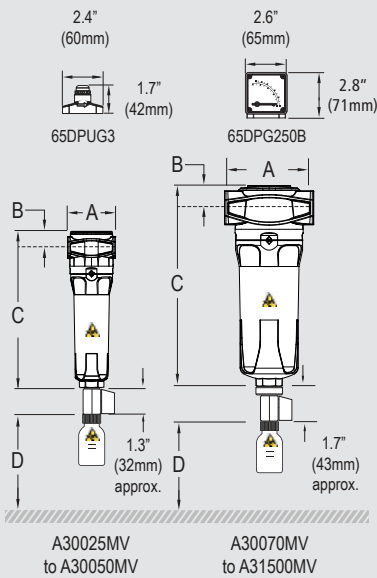


For further information please call: +1 814 836 2900

Technical Specification

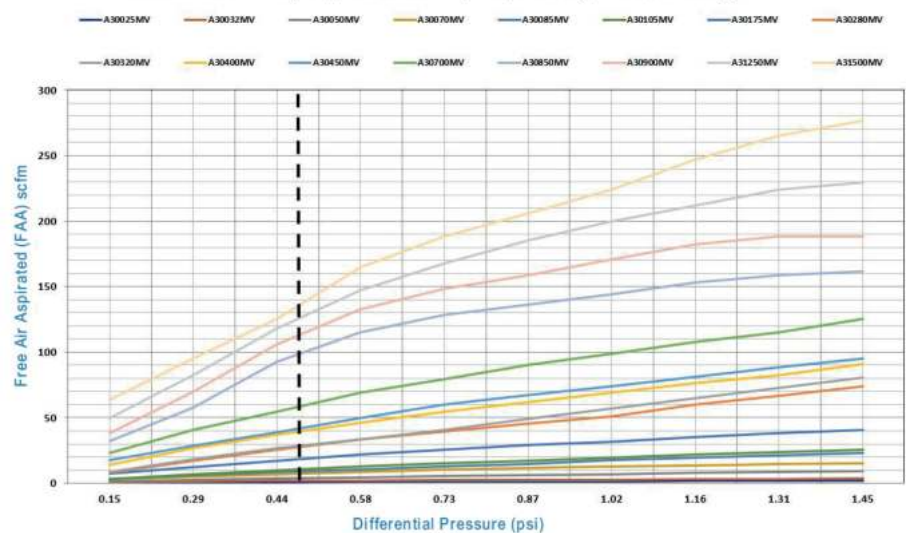
Filter model	Pipe size inches	Maximum Rated Flow at Atmospheric pressure		Maximum Rated Flow at an Operating Vacuum (Suction) Pressure of 19" Hg (475 mmHg) [(285 torr)]				Dimensions inches (mm)				Weight		Element model
		Free Air Aspirated (FAA)		Free Air Aspirated (FAA)		Rarified Air Flow		A	B	C	D	lbs	kg	
		SCFM	NI/min	SCFM	NI/min	L/min	CFM							
A30025MV	¼	1.7	48	0.9	25	66	2.3	2.76 (70)	0.91 (23)	9.09 (231)	2.76 (70)	1.3	0.6	E30408MV
A30032MV	⅜	2.9	82	1.6	45	119	4.2	2.76 (70)	0.91 (23)	9.09 (231)	2.76 (70)	1.3	0.6	E30408MV
A30050MV	½	6.6	187	3.7	105	278	9.8	2.76 (70)	0.91 (23)	9.09 (231)	2.76 (70)	1.3	0.6	E30412MV
A30070MV	⅝	12.0	340	6.7	190	502	17.7	5.00 (127)	1.26 (32)	11.22 (285)	3.15 (80)	3.7	1.7	E30612MV
A30085MV	¾	14.8	420	8.3	235	621	21.9	5.00 (127)	1.26 (32)	11.22 (285)	3.15 (80)	3.7	1.7	E30612MV
A30105MV	1	17.5	495	9.7	275	727	25.7	5.00 (127)	1.26 (32)	11.22 (285)	3.15 (80)	3.7	1.7	E30612MV
A30175MV	1	30.7	870	17.1	485	1282	45.3	5.00 (127)	1.26 (32)	14.57 (370)	3.15 (80)	4.4	2.0	E30621MV
A30280MV	1¼	45.4	1285	25.4	720	1904	67.2	5.51 (140)	1.61 (41)	18.74 (476)	3.35 (85)	6.6	3.0	E30731MV
A30320MV	1½	47.3	1340	26.5	750	1983	70.0	5.51 (140)	1.61 (41)	18.74 (476)	3.35 (85)	6.6	3.0	E30731MV
A30400MV	1¾	66.2	1875	37.1	1050	2776	98.0	6.69 (170)	2.09 (53)	20.00 (508)	3.94 (100)	10.8	4.9	E30831MV
A30450MV	2	69.4	1965	38.8	1100	2908	102.7	6.69 (170)	2.09 (53)	20.00 (508)	3.94 (100)	10.8	4.9	E30831MV
A30700MV	2	97.8	2770	54.7	1550	4098	144.7	6.69 (170)	2.09 (53)	27.87 (708)	3.94 (100)	12.1	5.5	E30850MV
A30850MV	2½	166.0	4700	92.9	2630	6953	245.6	8.66 (220)	2.76 (70)	28.98 (736)	3.94 (100)	23.1	10.5	E31140MV
A30900MV	3	189.3	5360	105.9	3000	7932	280.1	8.66 (220)	2.76 (70)	28.98 (736)	3.94 (100)	23.1	10.5	E31140MV
A31250MV	3	211.4	5985	118.3	3350	8857	312.8	8.66 (220)	2.76 (70)	33.74 (857)	3.94 (100)	25.4	11.5	E31160MV
A31500MV	3	223.9	6340	125.4	3550	9386	331.4	8.66 (220)	2.76 (70)	39.57 (1005)	3.94 (100)	27.6	12.5	E31175MV

NOTE: Rated flows are stated at NFPA 99 conditions. For flows at other operating vacuum pressures, please consult Walker Filtration Inc. Operating vacuum (suction) pressure is stated at the filter outlet (i.e. vacuum pump or suction side) Standard (reference) atmosphere: 101.325 kPa (1013.25 mbar(a)), 68°F (20°C)

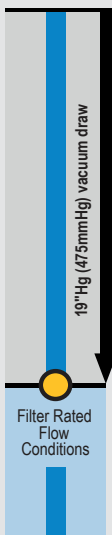


Grade	MV
Particle removal efficiency	≥ 99.97% @ 0.3 micron (HEPA)
Maximum temperature	140°F (60°C)
Pressure loss - clean & dry	0.44 psig (30 mbar)
Maximum working pressure	7 psig (0.5 barg)
Maximum working vacuum	Full Vacuum
Element end cap color	Black

Differential Pressure (ΔP) psi v. Flow Rate (scfm) at 19" Hg 63kPa (475mmHg)



Atmospheric Pressure
30" Hg (760 torr)



Technical notes

- Direction of flow is outside to inside through the element.
- Filter elements should be replaced at least every 6 months.
- Differential pressure gauges (65DPG250B) are fitted to all models as standard. Volt free contact options are available - see price guide.
- Manual drain valves (MDVE25B) are fitted to all models. Sterilizable glass drain flasks are supplied as standard, 100ml for models A30025MV to A30105MV and 250ml for models A30175MV to A31500MV.
- Threaded connections are NPT to ANSI/ASME B1.20.1.

CRN

