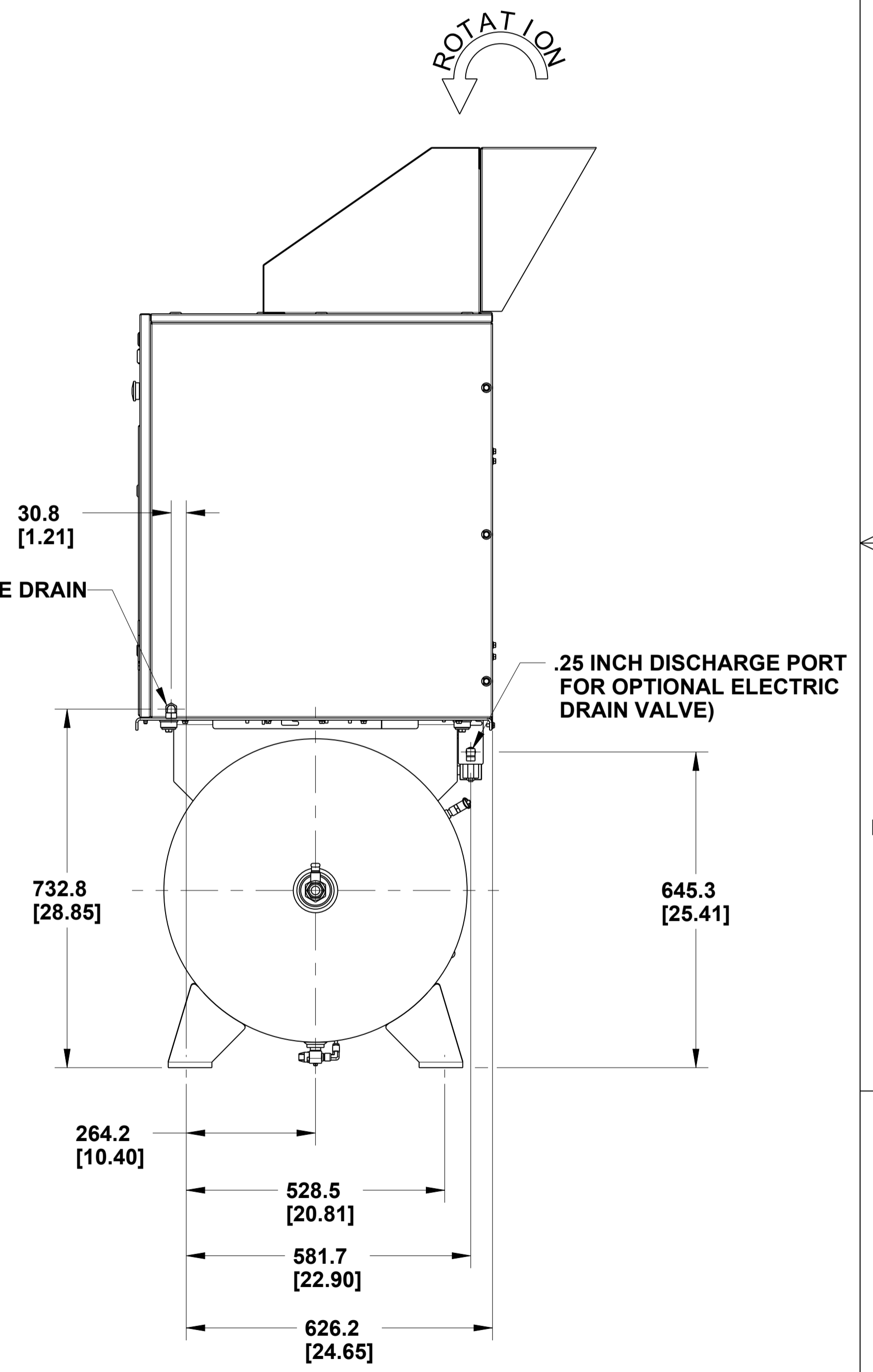
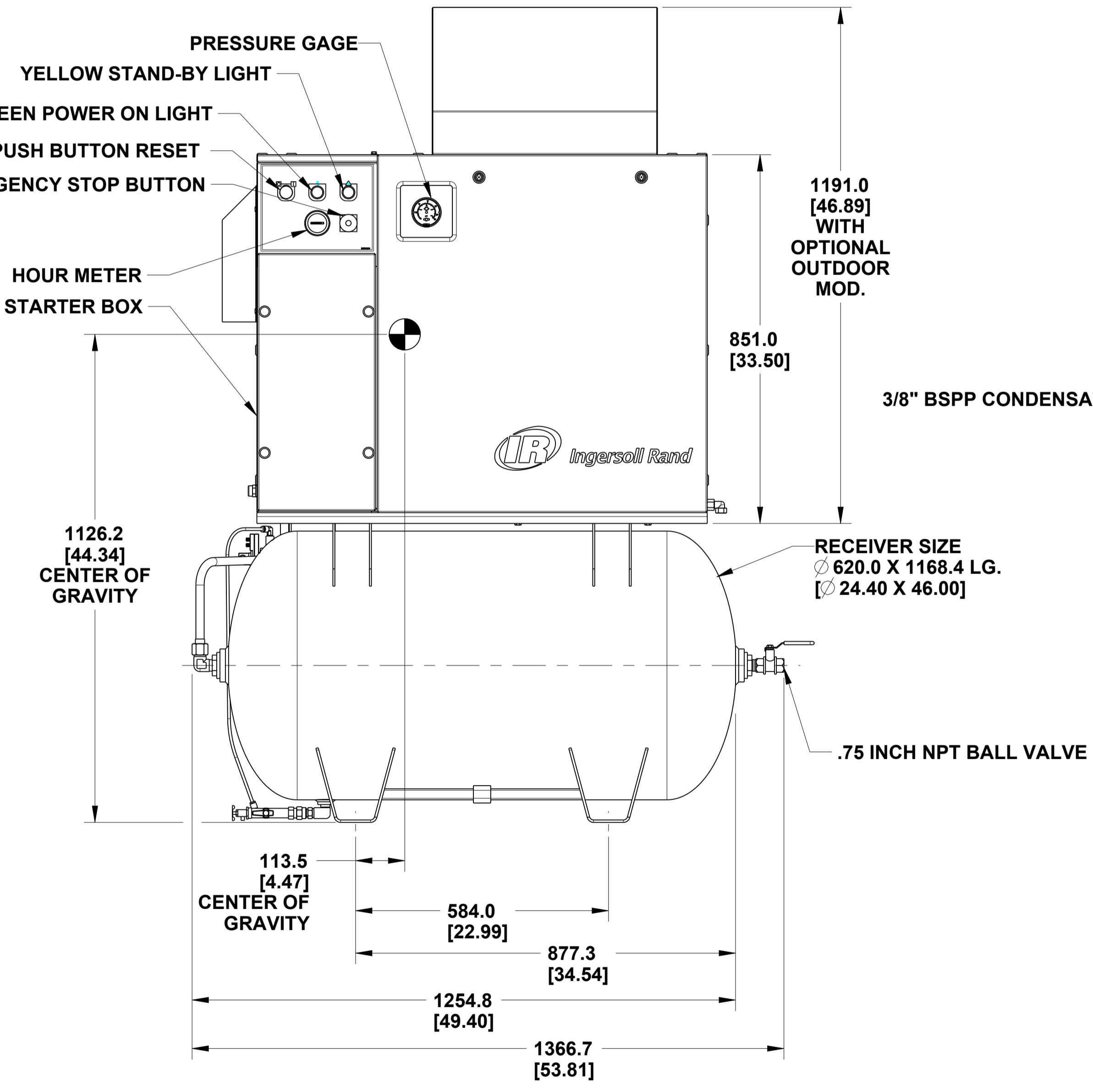
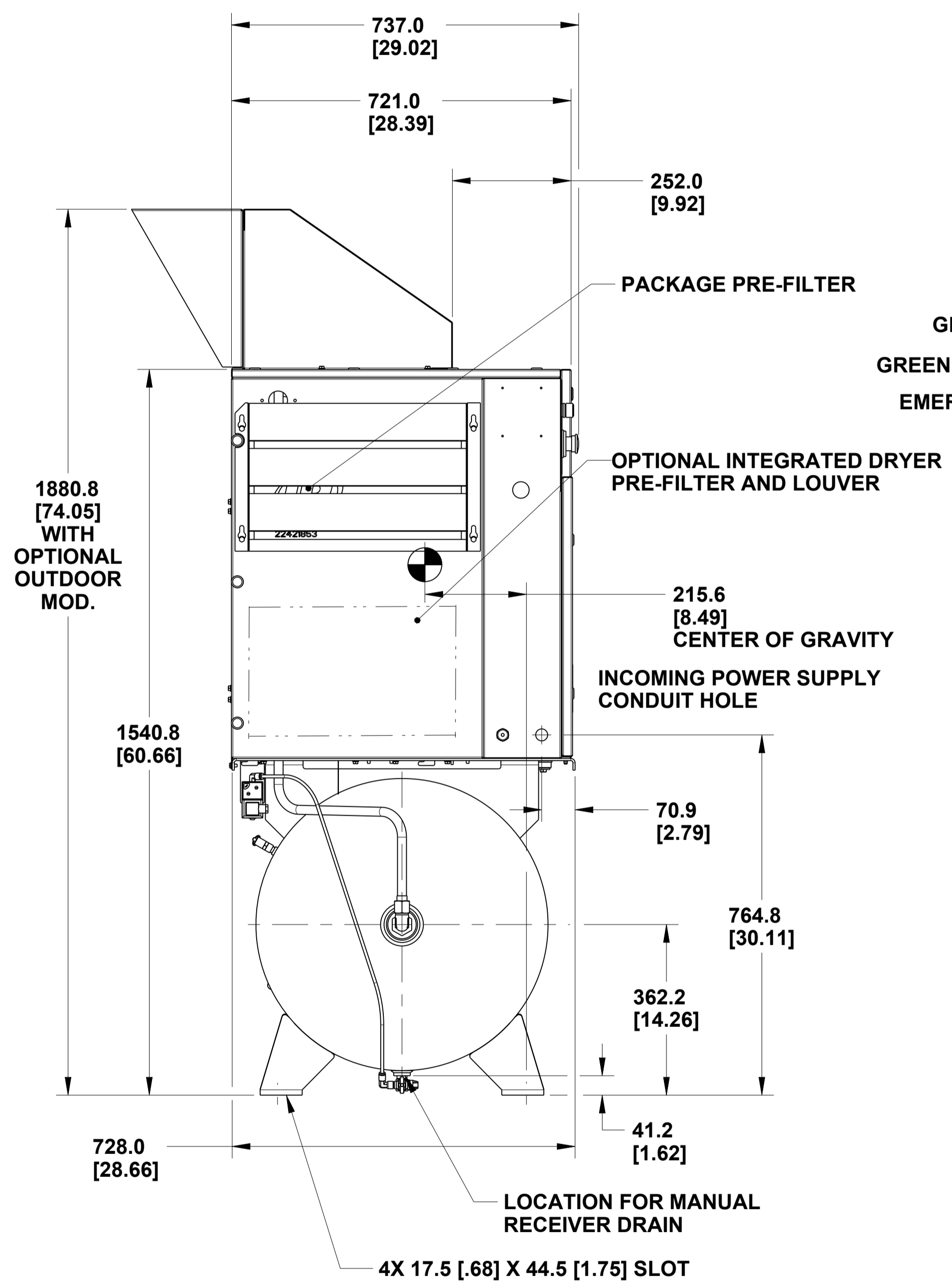
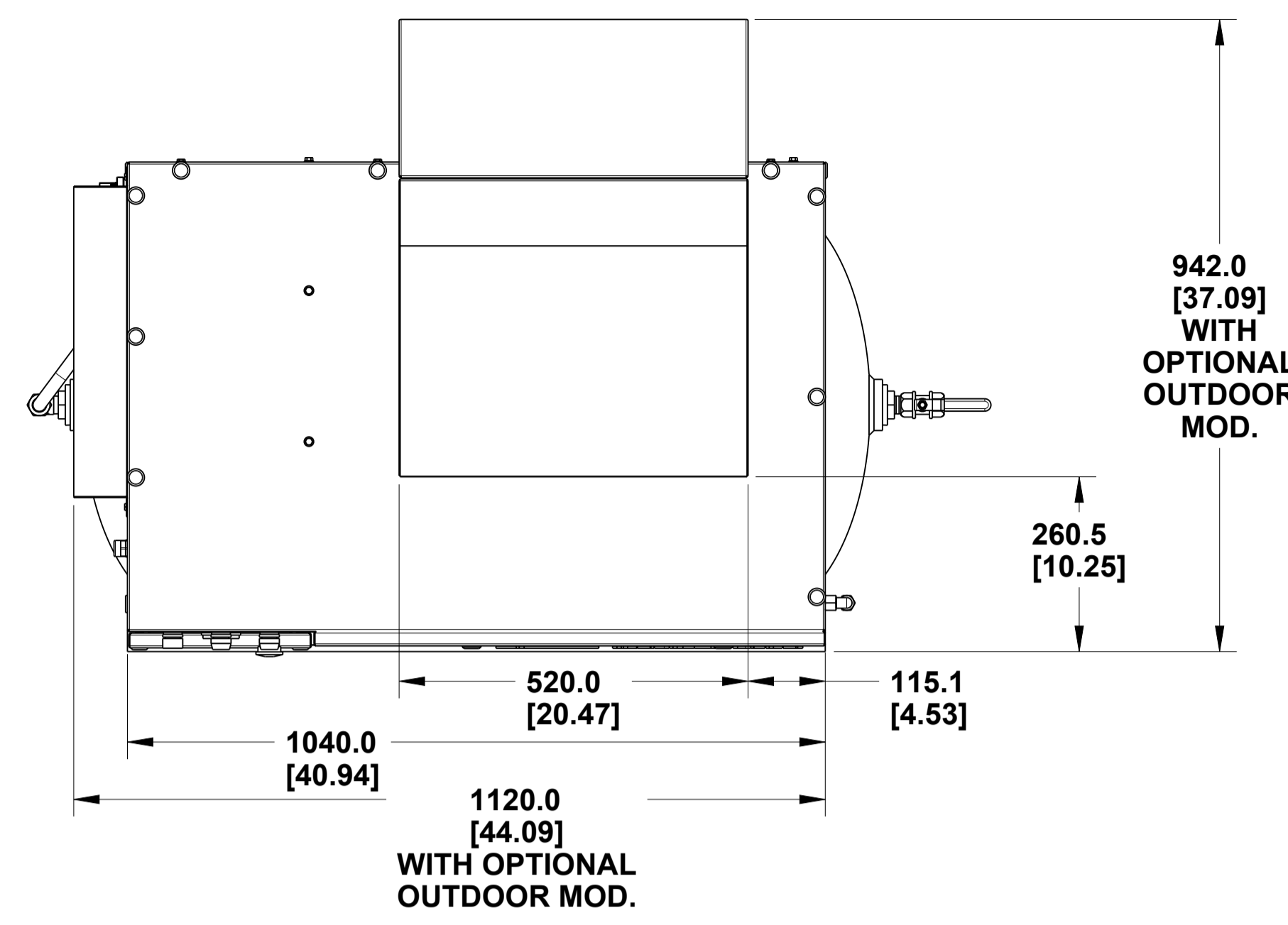


NOTES :

1. FOUNDATION OR FLOOR MUST BE LEVEL AND SUPPORT ALL FEET EQUALLY. IF NECESSARY, SHIM OR GROUT THE FOURTH FOOT.
2. FOUNDATION BOLTS SHOULD PROJECT THRU NUTS A MINIMUM OF 13mm [.50"] TO ALLOW FOR LEVELING.
3. ALLOW A MINIMUM CLEARANCE OF 1100mm [42"] ON THE FRONT AND 920mm [36"] ON THE TOP, LEFT, RIGHT, AND REAR OF THE PACKAGE FOR PROPER AIR CIRCULATION AND SERVICEABILITY.
4. APPROXIMATE PACKAGE WEIGHT: 420 KG. [925 LBS.].

REVISIONS						
ZONE	REV	ECN	DESCRIPTION	DATE	DRAWN	APP'D
	A	71433	ORIGINAL RELEASE	2004JUN28	MGP	B.WISE
	B	73832	ADD CONTROL AIR CONDENSATE OUTLET ADD REVISION BLOCK, UPDATED FORMAT	2006NOV30	M.CAIN	C.FRAZIER
1-B5	C	74318	I-R LOGO DECAL 23038474 WAS 22050611	2007FEB17	ISB/NH	K.WHITESSELL
1-B7 1-C8 2-C7	D	76570	ADDED INCOMING POWER DIM'S: 70.9 AND 764.8 ADDED AREA AND NOTE: OPTIONAL INTEGRATED DRYER PRE-FILTER AND LOUVER. REMOVED NOTE: .75" NPT 60HZ, .75" BSPT 50HZ ADDED OPTIONAL OUTDOOR MOD UPDATED VIEW TO SHOW OPTIONAL INTEGRATED DRYER ADDED SHEET 3	2007OCT22	R.REDMOND W.SORAH	C.FRAZIER
	E	77147	UPDATED ALL VIEWS TO CURRENT CONFIGURATION	2008DEC19	W.SORAH	C.FRAZIER
1-B4 1-B4 1-B4	F	78580	UPDATED ALL VIEWS TO CURRENT CONFIGURATION REMOVED LOGO DECAL 22913032. LOGO DECAL 23038466 WAS 22435713. FORKLIFT DECAL 23548985 WAS 93171262	2010APR12	H.AVINASH	C.FRAZIER
2-C2	G	78494	UPDATED VIEW OF PRESSURE SWITCH	2010JUN04	R. REDMON	C.FRAZIER



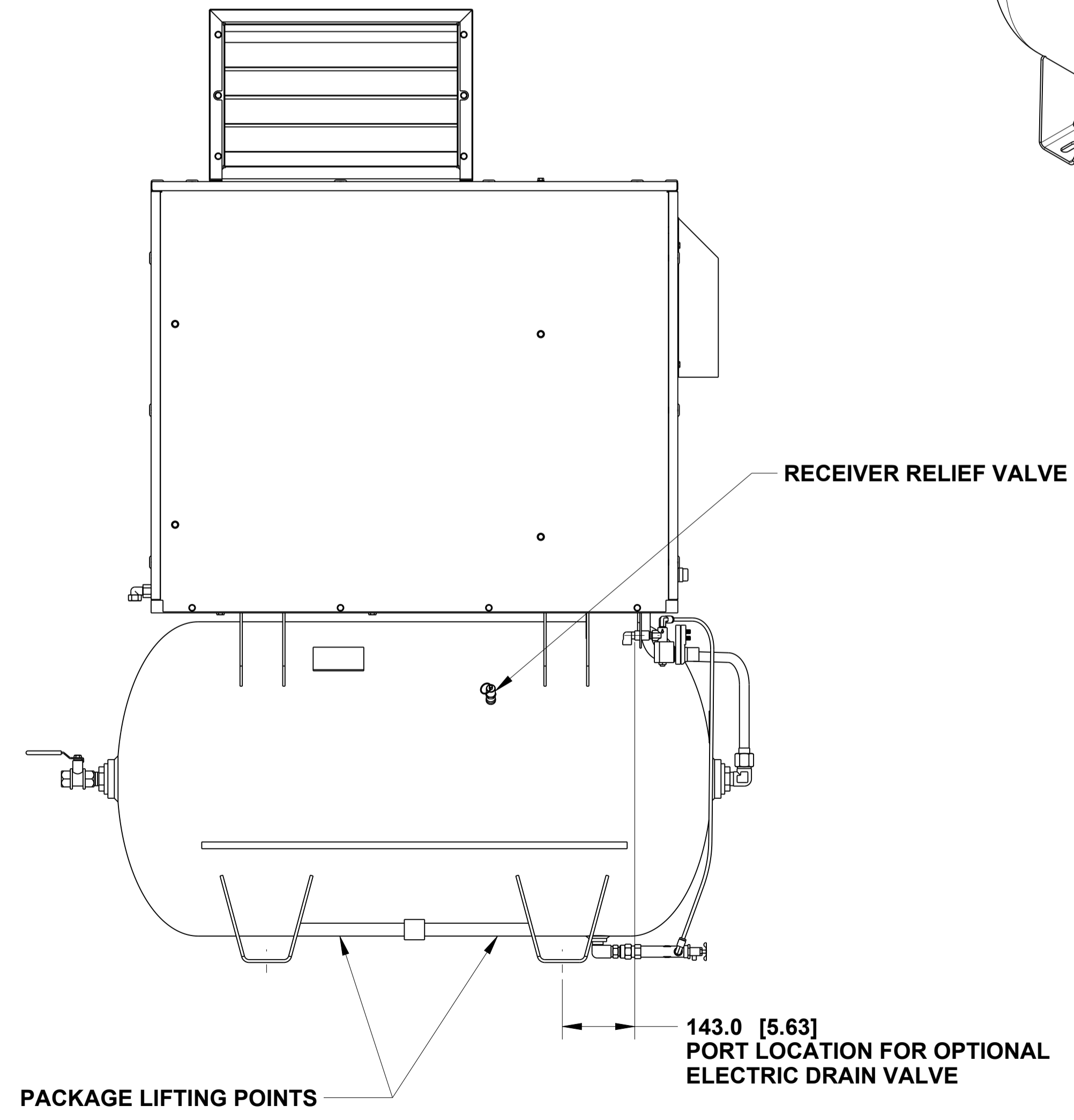
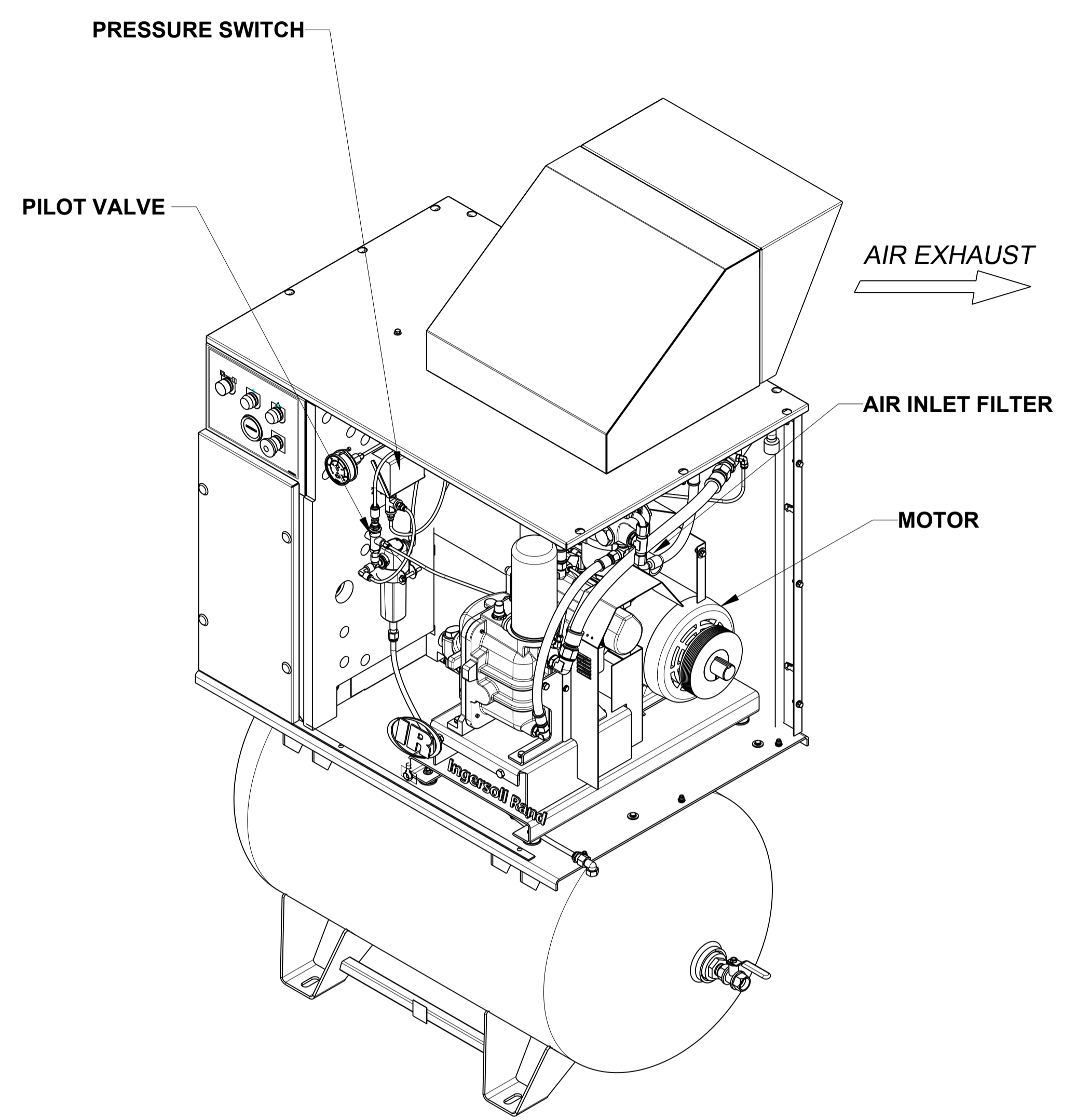
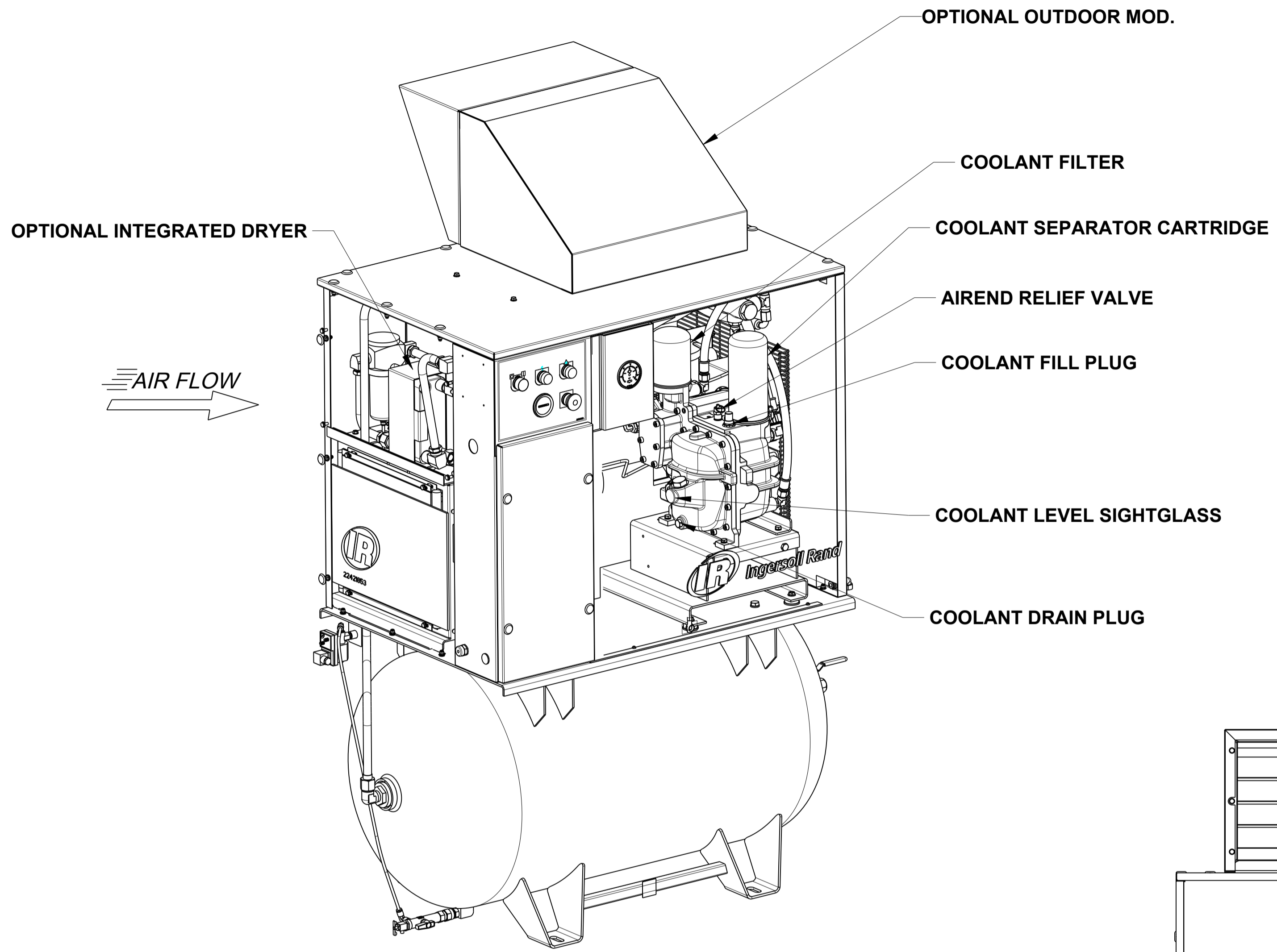
STANDARD TOLERANCES	WARNING: THE EXPORT OR REEXPORT OF THIS DRAWING OR A PRODUCT PRODUCED BY THIS DRAWING IS SUBJECT TO U.S. EXPORT ADMINISTRATION REGULATIONS AND OTHER APPLICABLE GOVERNMENT RESTRICTIONS OR REGULATIONS.
ALL DIMENSIONS ARE IN MILLIMETERS [INCHES (IF SHOWN)]	PROPRIETARY NOTICE
UNSPECIFIED TOLERANCES:	THIS DRAWING CONTAINS CONFIDENTIAL AND TRADE SECRET INFORMATION, IS THE PROPERTY OF INGERSOLL-RAND CO., AND IS GIVEN TO THE RECEIVER IN CONFIDENCE. THE RECEIVER BY RECEPTION AND RETENTION OF THE DRAWING ACCEPTS THE DRAWING IN CONFIDENCE AND AGREES THAT, EXCEPT AS AUTHORIZED IN WRITING BY INGERSOLL-RAND CO., IT WILL (1) NOT USE THE DRAWING OR ANY COPY THEREOF OR THE CONFIDENTIAL OR TRADE SECRET INFORMATION THEREIN; (2) NOT COPY THE DRAWING; (3) NOT DISCLOSE TO OTHERS EITHER THE DRAWING OR THE CONFIDENTIAL OR TRADE SECRET INFORMATION THEREIN; AND (4) UPON COMPLETION OF THE NEED TO RETAIN THE DRAWING, OR UPON DEMAND, RETURN THE DRAWING, ALL COPIES THEREOF, AND ALL MATERIAL COPIED THEREFROM.
WHOLE : ±1	DO NOT SCALE DRAWING
ONE PLACE (.X) : ±0.5	DRAWING CONFORMS TO ASME Y14.5M - 1994
TWO PLACE (.XX) : ±0.25	CAD GENERATED DRAWING, NO MANUAL REVISIONS ALLOWED
ANGLES (.X) : ±1°	UNLESS OTHERWISE SPECIFIED: - REMOVE ALL BURRS AND SHARP CORNERS - WELD SYMBOLS TO BE IN ACCORDANCE WITH ANSI/AWS A2.4
Ingersoll-Rand Industrial Technologies	COPYRIGHT © 2010 INGERSOLL-RAND COMPANY ALL RIGHTS RESERVED

THIRD ANGLE PROJECTION	
DRAWN MGP	DATE 2004JUN28
CHECKED S.KUMAR	DATE 2004JUN28
APPROVED B.WISE	DATE 2004JUN28

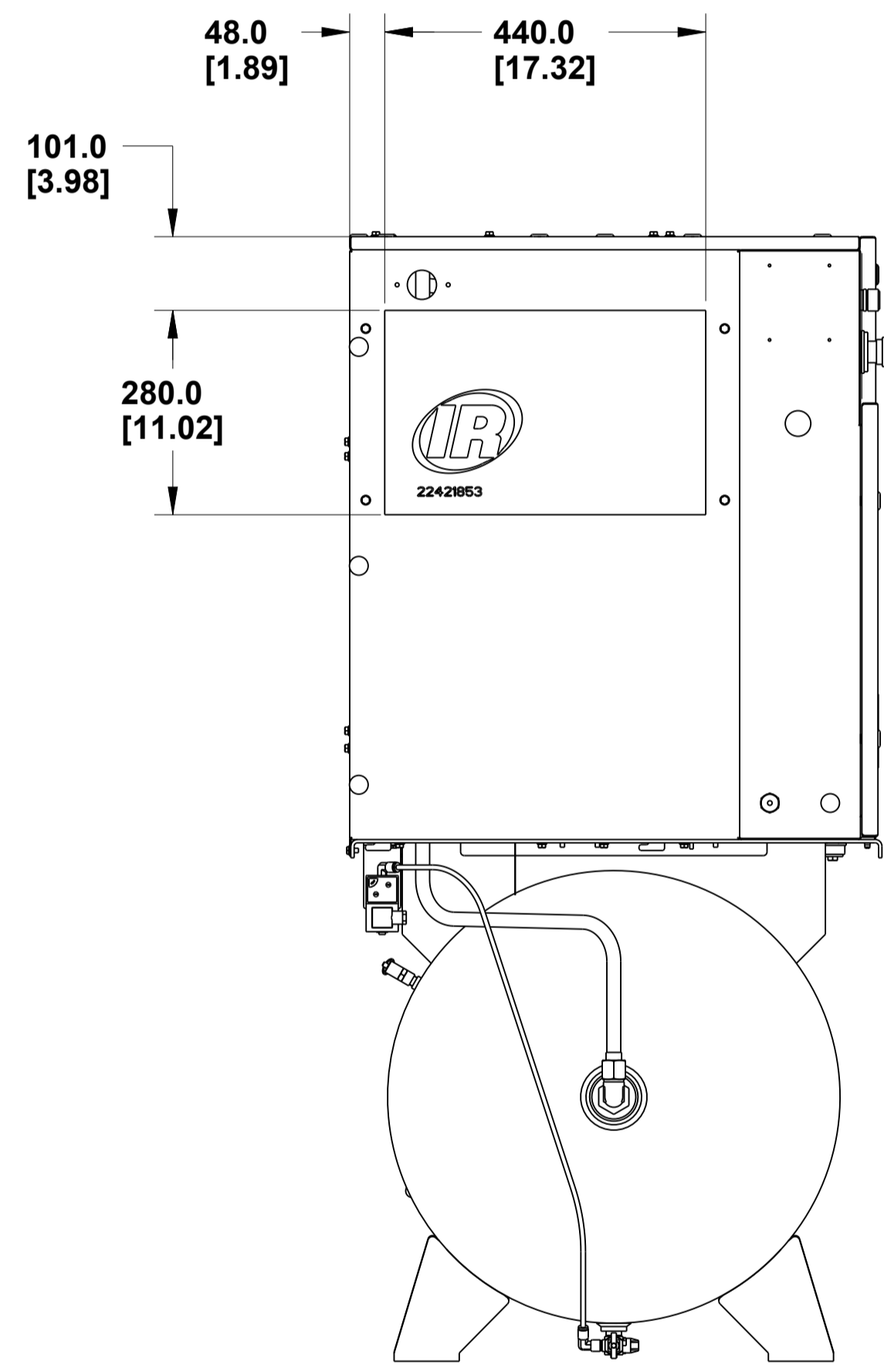
IR Ingersoll Rand

**GENERAL ARRANGEMENT
UP-SERIES (80 GAL.)**

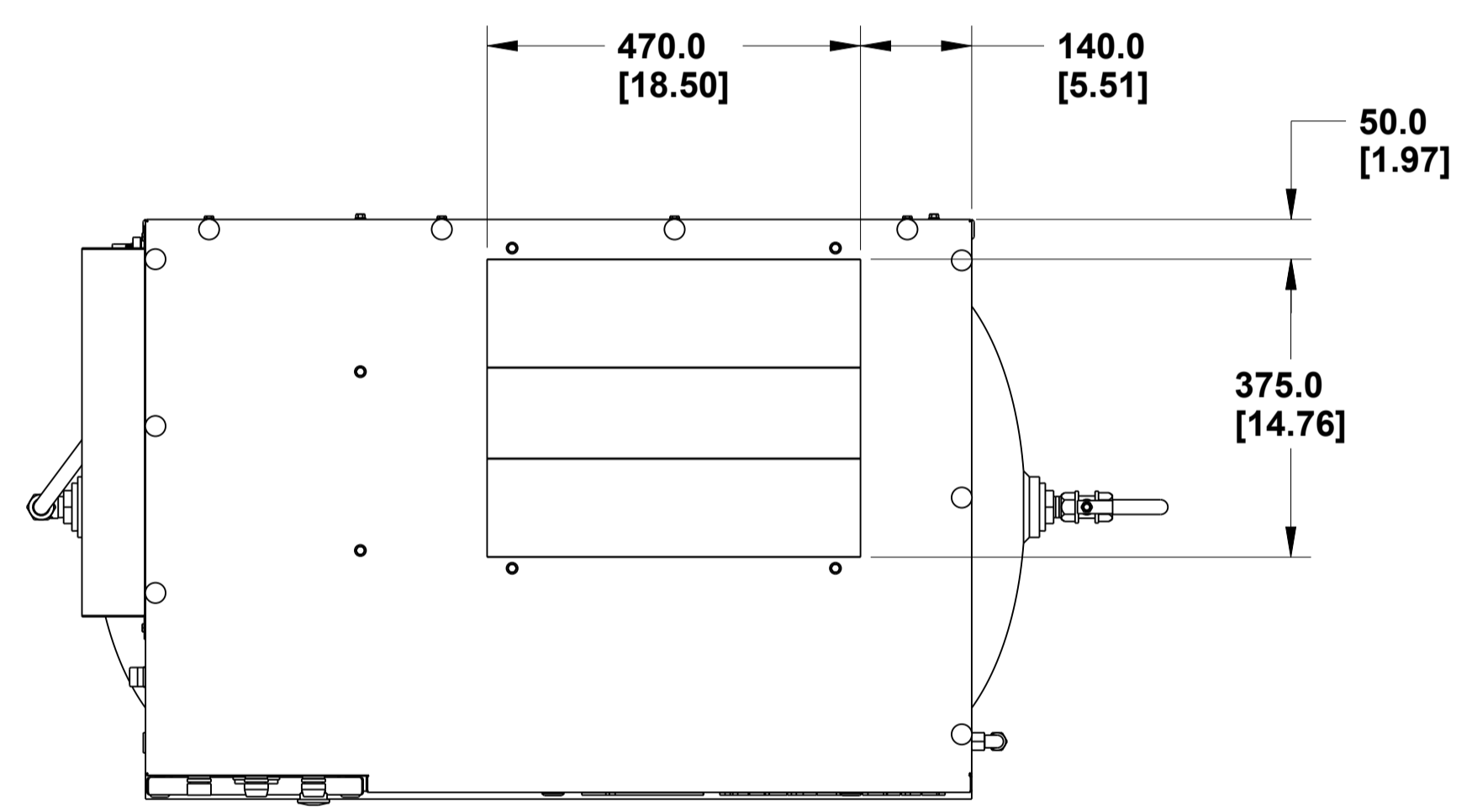
SIZE A1	ESTIMATED WEIGHT (KG UNLESS OTHERWISE SPECIFIED)	DWG NO. 22431829	REV G
SCALE: 0.13	UNIT: UP-SERIES	SHEET 1 OF 3	



<small>PROPRIETARY NOTICE</small> <small>THIS DRAWING CONTAINS CONFIDENTIAL AND TRADE SECRET INFORMATION. IS THE PROPERTY OF INGERSOLL RAND CO. AND IS GIVEN TO THE RECEIVER IN CONFIDENCE. THE RECEIVER BY RECEIPT AND RETENTION OF THIS DRAWING ACCEPTS THE DRAWING IN CONFIDENCE AND AGREES THAT, EXCEPT AS AUTHORIZED IN WRITING BY INGERSOLL RAND CO., IT WILL (1) NOT USE THE DRAWING OR ANY COPY THEREOF OR THE CONFIDENTIAL OR TRADE SECRET INFORMATION THEREIN, (2) NOT COPY THE DRAWING, (3) NOT DISCLOSE TO OTHERS EITHER THE DRAWING OR THE CONFIDENTIAL OR TRADE SECRET INFORMATION THEREIN, AND (4) UPON COMPLETION OF THE NEED TO RETAIN THE DRAWING OR UPON DEMAND, RETURN THE DRAWING, ALL COPIES THEREOF, AND ALL MATERIAL COPIED THEREFROM.</small>		TITLE GENERAL ARRANGEMENT UP-SERIES (80 GAL.)	
SIZE A1	DWG NO. 22431829	REV G	
SCALE 0.13	SHEET 2 OF 3		



LEFT VIEW WITHOUT ODM ENCLOSURE



TOP VIEW WITHOUT ODM ENCLOSURE

<small>PROPRIETARY NOTICE</small> <small>THIS DRAWING CONTAINS CONFIDENTIAL AND TRADE SECRET INFORMATION IS THE PROPERTY OF INGERSOLL-RAND CO. AND IS GIVEN TO THE RECEIVER IN CONFIDENCE. THE RECEIVER BY RECEIPT AND RETENTION OF THE DRAWING ACCEPTS THE DRAWING IN CONFIDENCE AND AGREES THAT, EXCEPT AS AUTHORIZED IN WRITING BY INGERSOLL-RAND CO., IT WILL (1) NOT USE THE DRAWING OR ANY COPY THEREOF OR THE CONFIDENTIAL OR TRADE SECRET INFORMATION THEREIN, (2) NOT COPY THE DRAWING, (3) NOT DISCLOSE TO OTHERS EITHER THE DRAWING OR THE CONFIDENTIAL OR TRADE SECRET INFORMATION THEREIN, AND (4) UPON COMPLETION OF THE NEED TO RETAIN THE DRAWING, OR UPON DEMAND, RETURN THE DRAWING, ALL COPIES THEREOF, AND ALL MATERIAL COPIED THEREFROM.</small>		<small>TITLE</small> GENERAL ARRANGEMENT UP-SERIES (80 GAL.)	
<small>SIZE</small> A1	<small>DWG NO.</small> 22431829	<small>REV</small> G	
<small>SCALE:</small> 0.13	<small>SHEET</small> 1	<small>3 OF 3</small>	