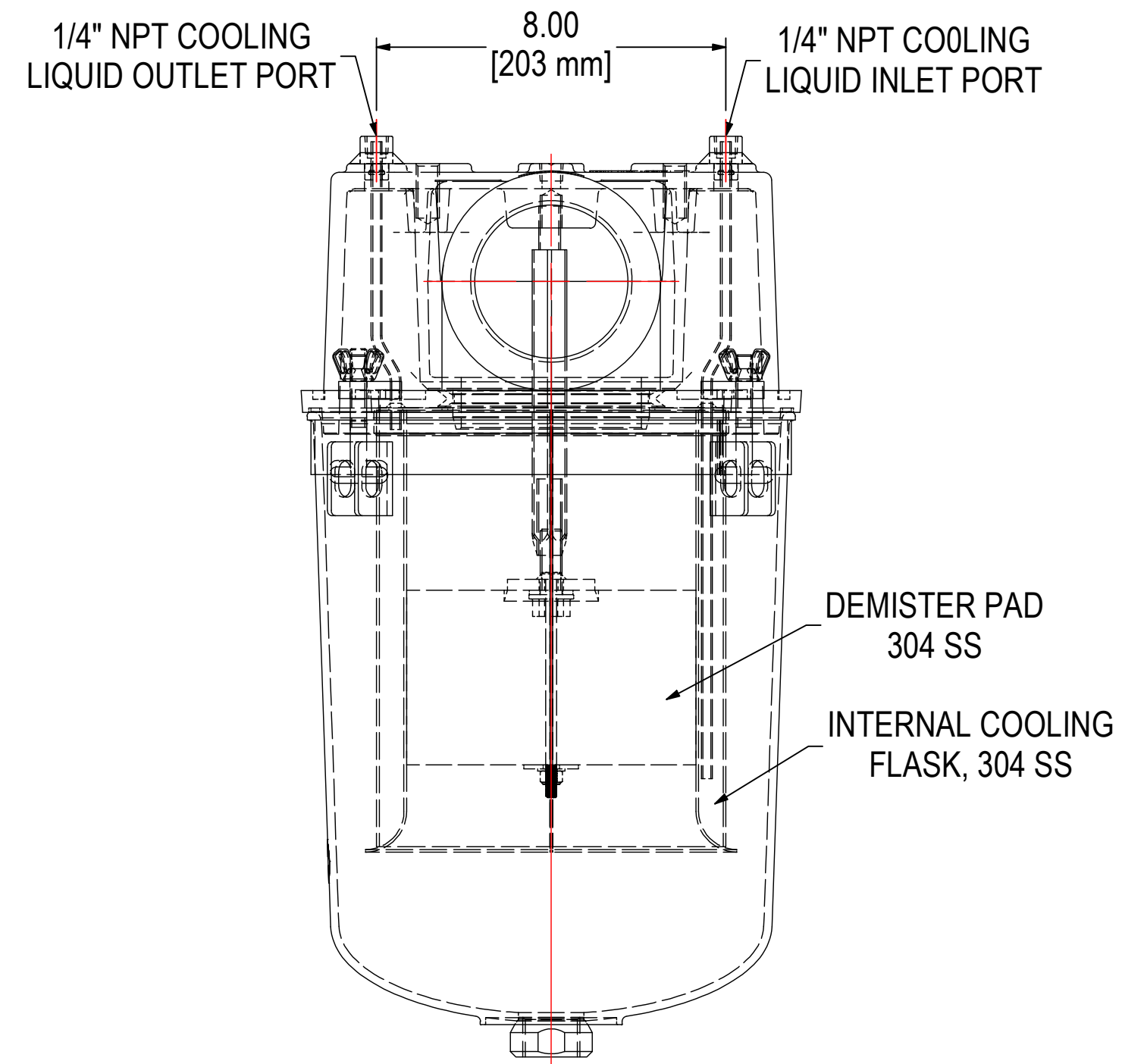
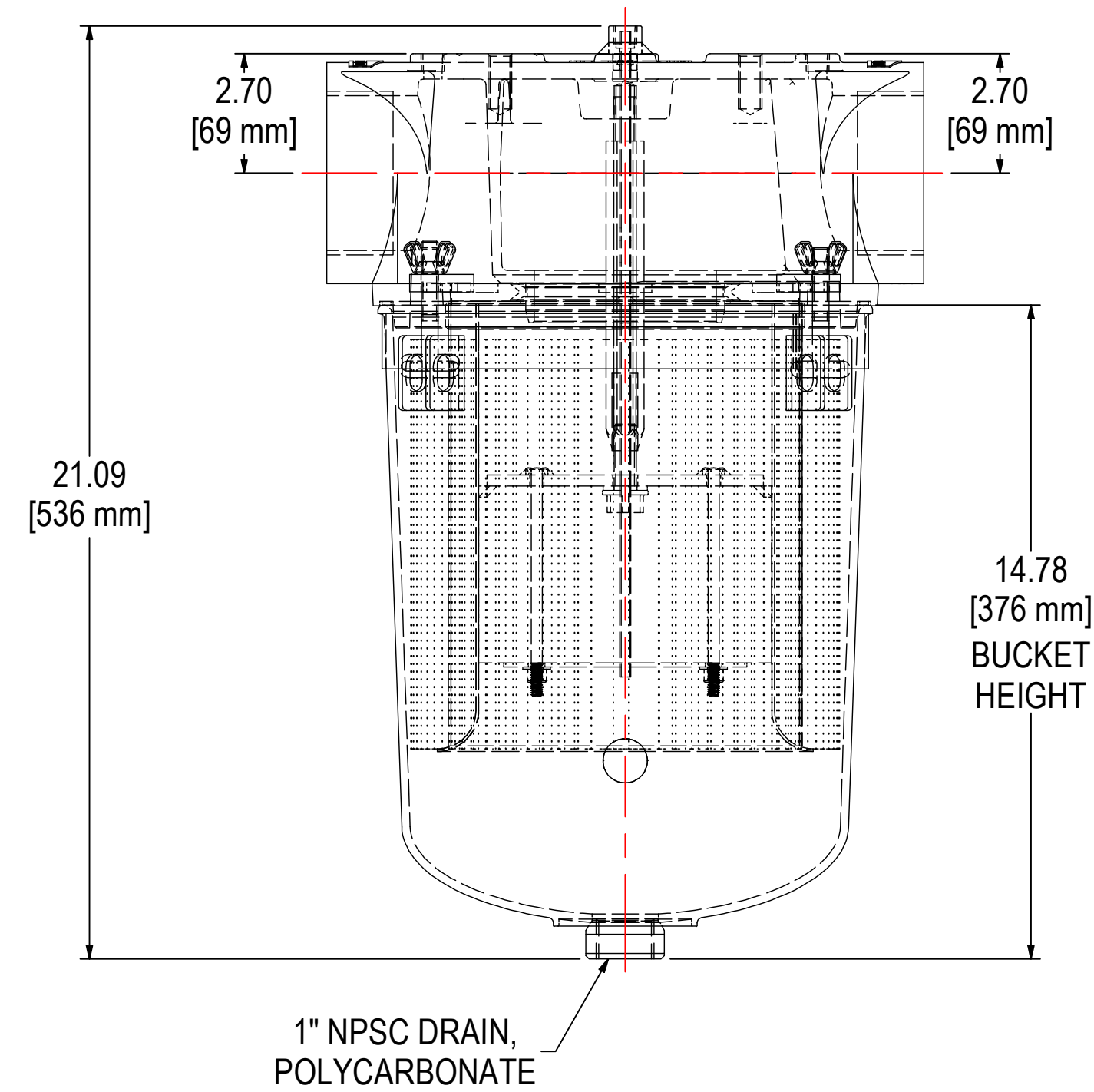
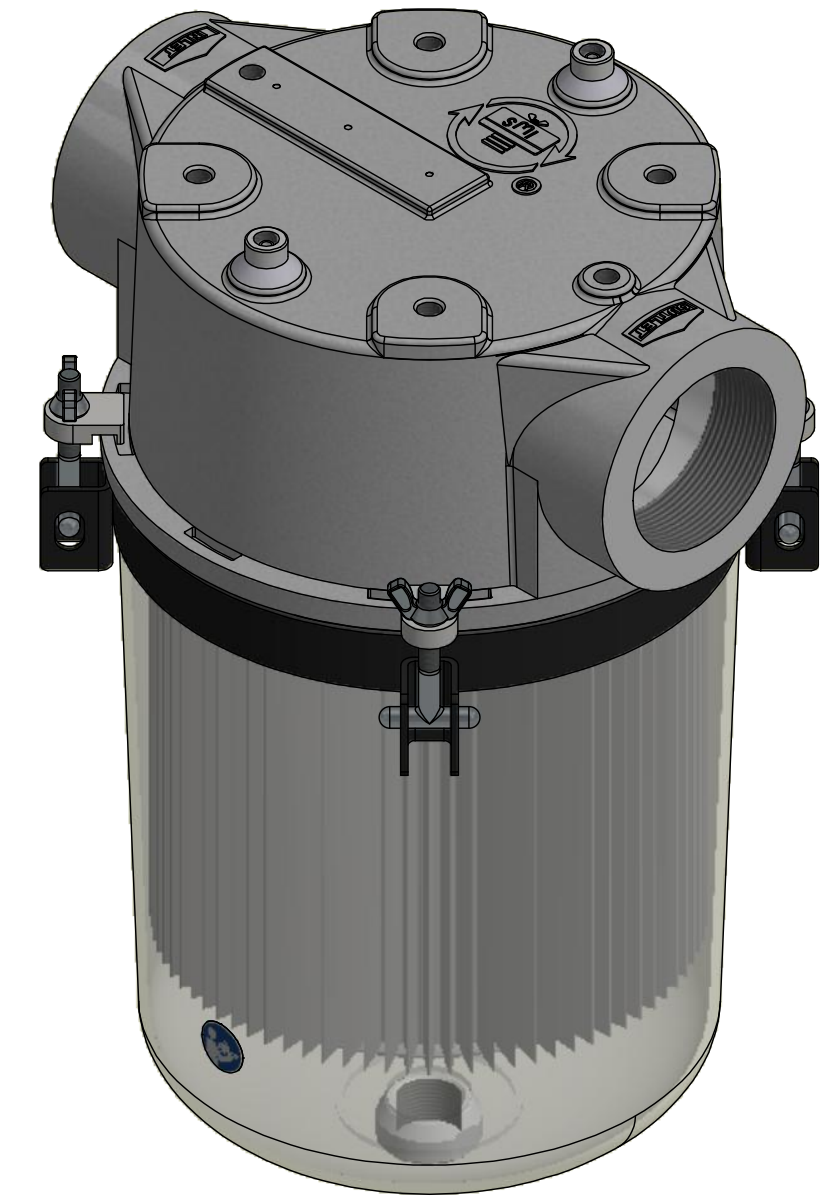
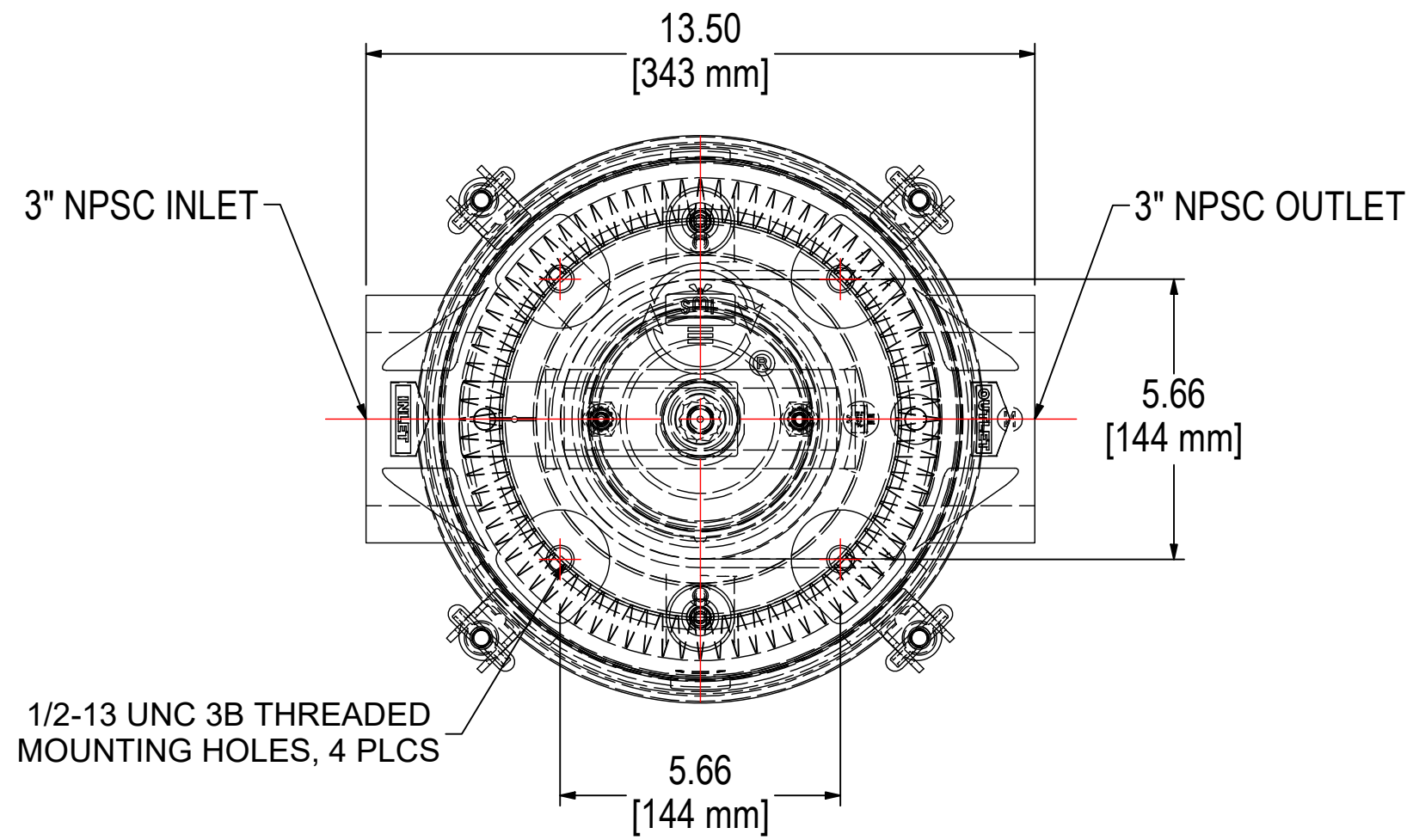


REV	DESCRIPTION	ECN #	CHG BY	DATE	APP'D
A	CHANGED GASKET TO BUTTERFLY GASKET	-	JCB	05/09/14	-
B	REVISED NOTES	-	JCB	08/06/14	CCS
C	UPDATED NOTES ON FLOW RATE, WAS 75 CFM	PER M.C.	TAS	10/20/14	M.C.
D	ADDED COOLANT PORT INFORMATION	PER CCS	TAS	01/29/16	CCS
E	UPDATED CASTING, WAS 1075400-4	7423	EZR	02/24/16	CRW
F	UPDATED COOLING FLASK TUBE CENTERLINE, WAS 7.75"	PROD	EZR	11/17/17	MJC
G	ADDED COOLING FLASK NOTES	447	WZL	01/04/19	EZR
H	UPDATED DRAIN	DCR106	NAD	03/29/19	EZR
I	UPDATED FLASK, WAS PAINTED CARBON STEEL	18761	EZR	03/19/20	TAS
K	UPDATED DRAIN, WAS 316 SS	DCR106	WZL	05/11/21	NAD



NOTES & SPECIFICATIONS:
 1. UNIT FLOW RATE: 120 CFM (204 m³/hr)

MODEL #: JST-C2081-300C	MATERIAL: CAST ALUMINUM/PLASTIC	FINISH: NONE
MODEL NUMBER: JST-C2081-300C	SHEET: 1 OF 1	
DESCRIPTION: JST-C2081-300C, 1" NPSC POLYCARBONATE DRAIN		
PROJECT:	DRAWN BY: JCB DATE: 2/27/2014	APPROVED BY: CRW DATE: 12/15/2014
		REV: K

SOLBERG
 Filtration • Separation • Silencing
 630.773.1363 • www.solbergmfg.com

THE INFORMATION CONTAINED HEREIN IS CONFIDENTIAL AND THE PROPERTY OF SOLBERG MANUFACTURING INC. AND IT IS FURNISHED TO YOU WITH THE EXPRESS UNDERSTANDING THAT IT WILL NOT BE REPRODUCED, COPIED IN ANY MANNER, LOANED OR OTHERWISE TRANSFERRED TO OTHERS ENTIRELY OR IN PART, NOR USED FOR ANY PURPOSE OTHER THAN FOR WHICH IT WAS FURNISHED. IT WILL BE RETURNED UPON REQUEST TO SOLBERG MANUFACTURING INC. THE ABOVE RESTRICTION IS IN ADDITION TO, AND DOES NOT IN ANY WAY ALTER, ANY OTHER RESTRICTIONS WHICH MAY APPLY TO THE INFORMATION CONTAINED HEREIN.

TOLERANCES
 DIMENSIONS ARE FOR REFERENCE ONLY. ALL DIMENSIONS ARE SUBJECT TO CHANGE UPON PRODUCTION.
 UNLESS OTHERWISE SPECIFIED:
 -DIMENSIONS ARE IN INCHES
 -REF: APPROXIMATE DIMENSIONS, NO TOLERANCES APPLY
 -FINISH: BREAK EDGES TO .005-.020 RADIUS/CHAMFER