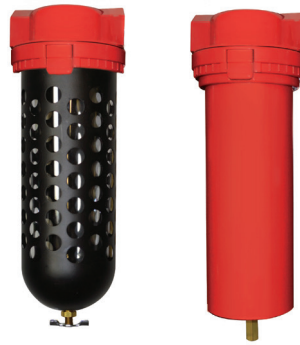


Specifications

Port Sizes	1/4", 3/8", 1/2"
Thread Styles	NPT, BSPT, BSPP
Flow Capacity	60 SCFM @ 100 PSI
Filter Capacity	1.0 micron & larger Activated Carbon Oil Adsorption to 0.003 PPM
Differential Pressure	< 3.0 PSID at rated flow
Max. Temp./Pressure (Aluminum Bowl)	175 °F/200 PSIG
Max. Temp./Pressure (Polycarbonate Bowl)	125 °F/150 PSIG
Approx. Weight (lb.)	3.5
ISO Class	2 Particulate/Oil

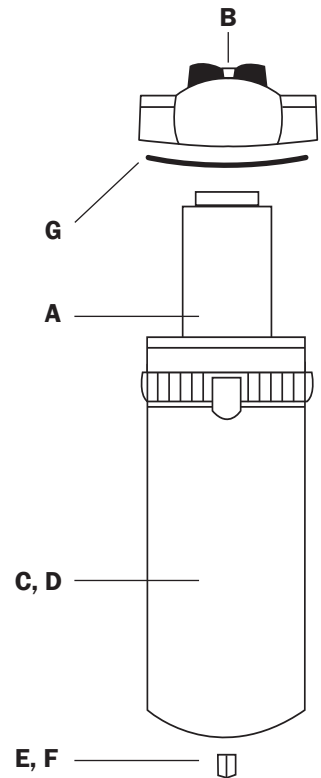
For higher pressure applications, consult factory. Units equipped with differential pressure indicator have max. temperature and pressure of 125 °F and 150 PSIG, regardless of bowl material.



Water
Dirt
Oil
Oil Vapor
Odor

Replacement Parts & Accessories

Description	Part Number
A Replacement Element	4P-060
B Differential Pressure Indicator	N32-W1-DPi
B Blanking Cap (Cover for Indicator)	N32-95-020
C Bowl Assembly: Metal Bowl, Manual Petcock Drain, & O-ring	N34-95-205
C Bowl Assembly: Metal Bowl, Auto Float Drain, & O-ring	N34-95-201
D Bowl Assembly: Poly Bowl, Manual Petcock Drain, & O-ring*	N32-15-163
D Bowl Assembly: Poly Bowl, Auto Float Drain, & O-ring*	N32-15-164
E Manual Petcock Drain (Metal Bowl)	PC-02
E Manual Petcock Drain (Poly Bowl)	N32-95-182
F Automatic Plastic Float Drain (Metal Bowl)	N32-95-979
F Automatic Brass Float Drain (Poly Bowl)	N32-95-978
G Bowl O-ring	N32-95-257



Order Guide

	Port Size	Model Number	
		Metal Bowl	Poly Bowl
Manual Drain	1/4"	4P-060-M02-P	4P-060-P02-P
	3/8"	4P-060-M03-P	4P-060-P03-P
	1/2"	4P-060-M04-P	4P-060-P04-P
Automatic Drain	1/4"	4P-060-M02-F	4P-060-P02-F
	3/8"	4P-060-M03-F	4P-060-P03-F
	1/2"	4P-060-M04-F	4P-060-P04-F

Dimensions (in.)			
Height**		Width	Depth
Metal	Poly		
10.0	10.0	3.9	3.9
10.0	10.0	3.9	3.9
10.0	10.0	3.9	3.9
10.0	10.5	3.9	3.9
10.0	10.5	3.9	3.9
10.0	10.5	3.9	3.9

*Poly bowls come with metal bowl guard

**To add an indicator, add "i" to end of model number (Indicator adds about 1" to height)

Literature Sheet: i008

