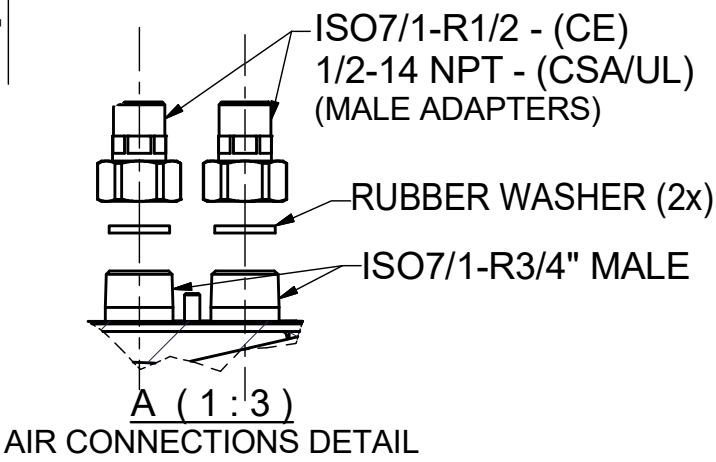
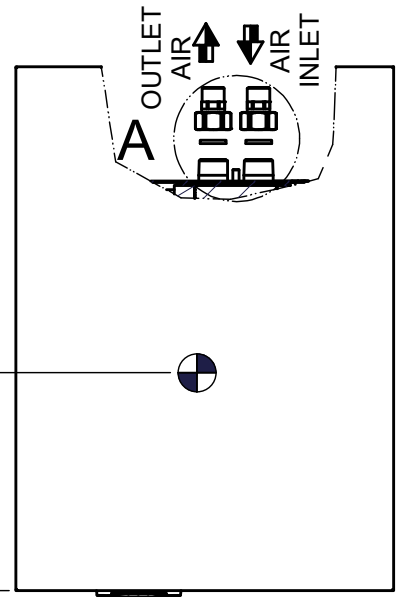
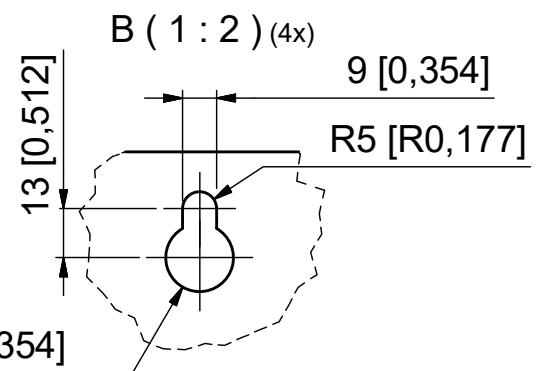
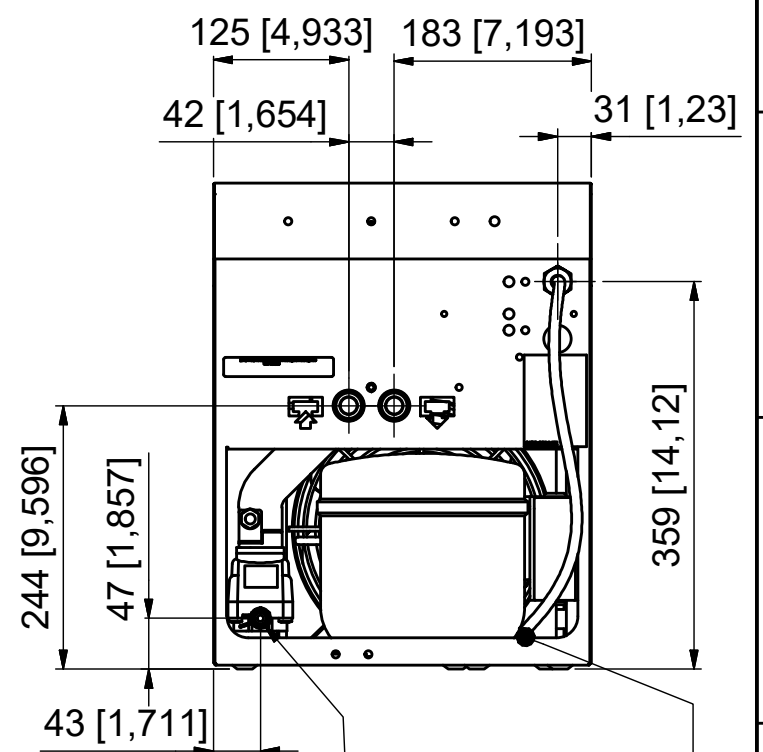
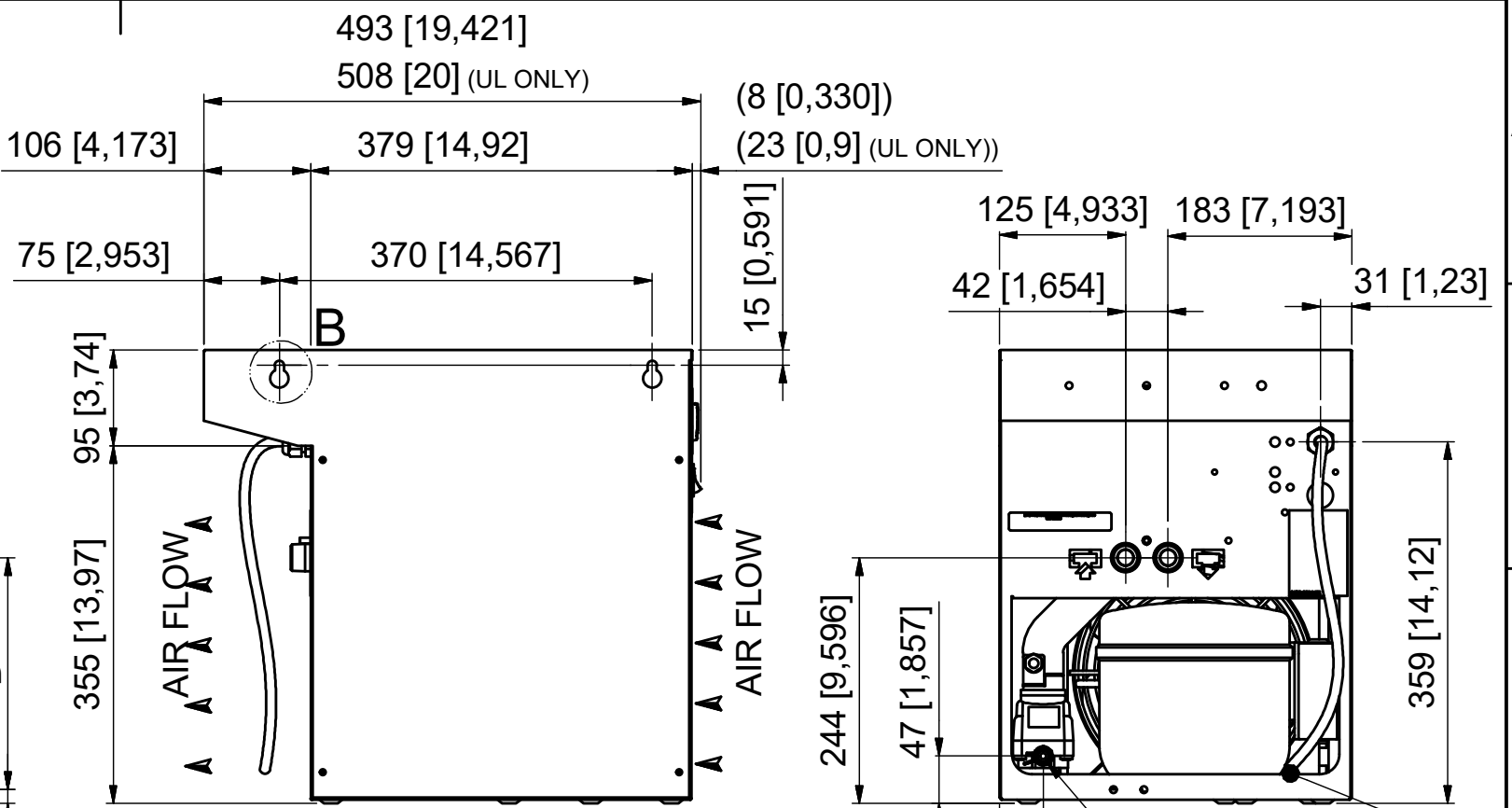
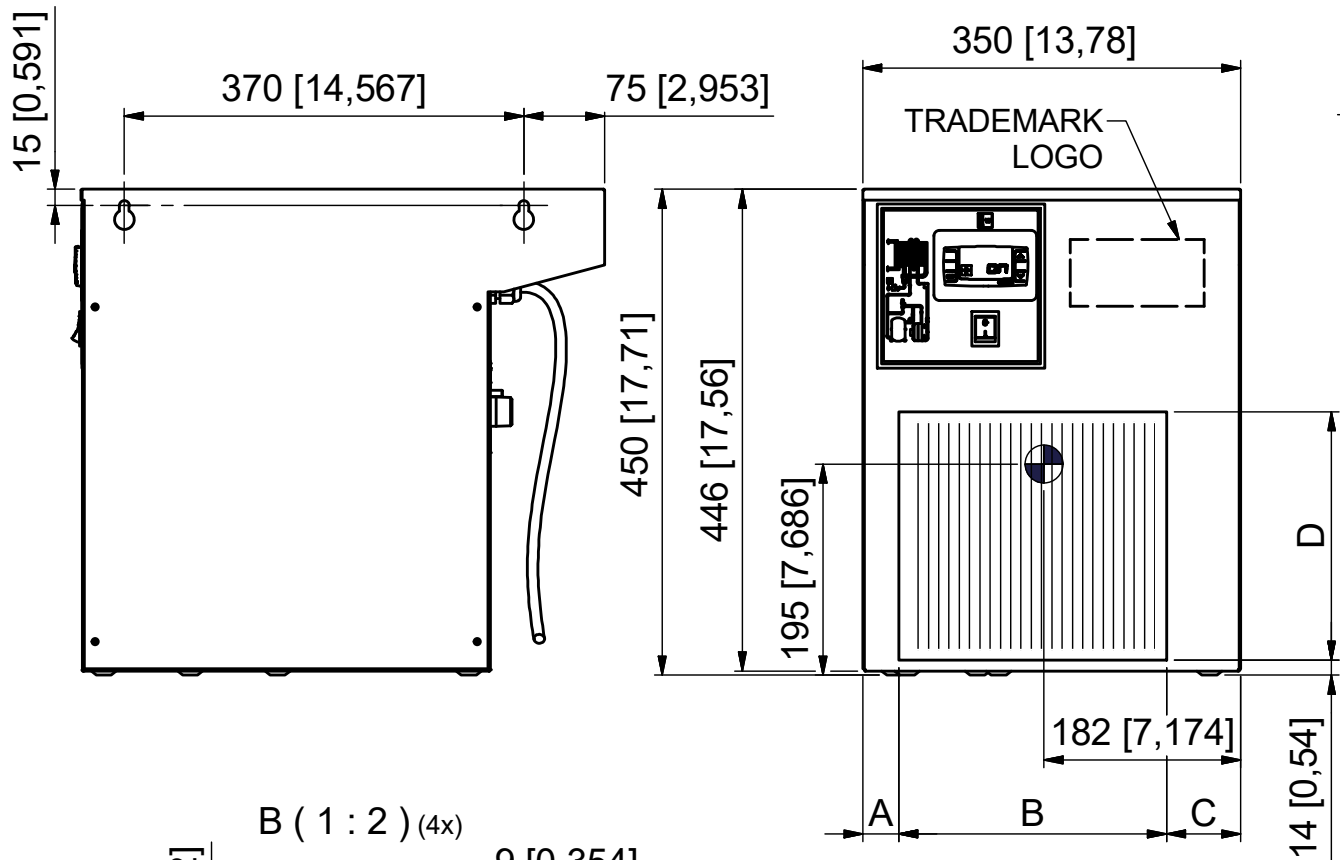
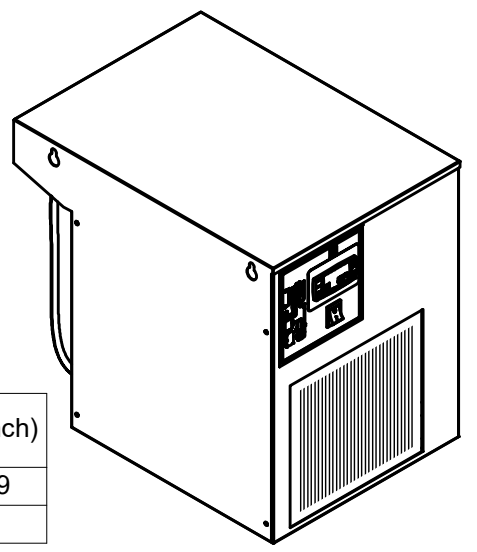


All materials supplied are in compliance with the requirements of the List of Prohibited Substances



CONDENSATE DRAIN OUTLET PIPE Ø int. 10mm / 0,39 inch
ELECTRICAL CABLE OUTLET



DRYER VERSION	A (mm / inch)	B (mm / inch)	C (mm / inch)	D (mm / inch)
QPNC13-30 MODEL	81 / 3,2	188 / 7,4	81 / 3,2	175 / 6,9
QPNC42-64 MODEL	34 / 1,3	248 / 9,7	68 / 2,7	230 / 9

05

Tolerances, if not indicated, according to:					
Name		DIMENS. DRAWING		QPNC13-64	Confidentiality Class acc. to 1102 K
Material		Not applicable			Confidential
Treatment		Not Applicable			INV
Scale		1:5	Family	DRYERS A/E0-4 MB	Compare
Drawn by		sgraser	Blank nr.		Replaces
Drawing format		A3	Blank wt	0 Kg	Fin. wt. N/A
STATUS		Approved		Designation	Sheet 1 / 1
Des checked.		Prod checked.	Approved.	Date	14/04/2005

2202754800

CONFIDENTIAL: This document is property of Atlas Copco AB and shall not without our permission be altered, copied, used for manufacturing or communicated to any other person or company.

05	Added E versions. CID.27573, DN20054129.	22-06-20	asavio	2202754800	04.00
Ed	Position	Modified from	Date	Intr./Appd.	Parent 3D model
					Ed. Version 3D