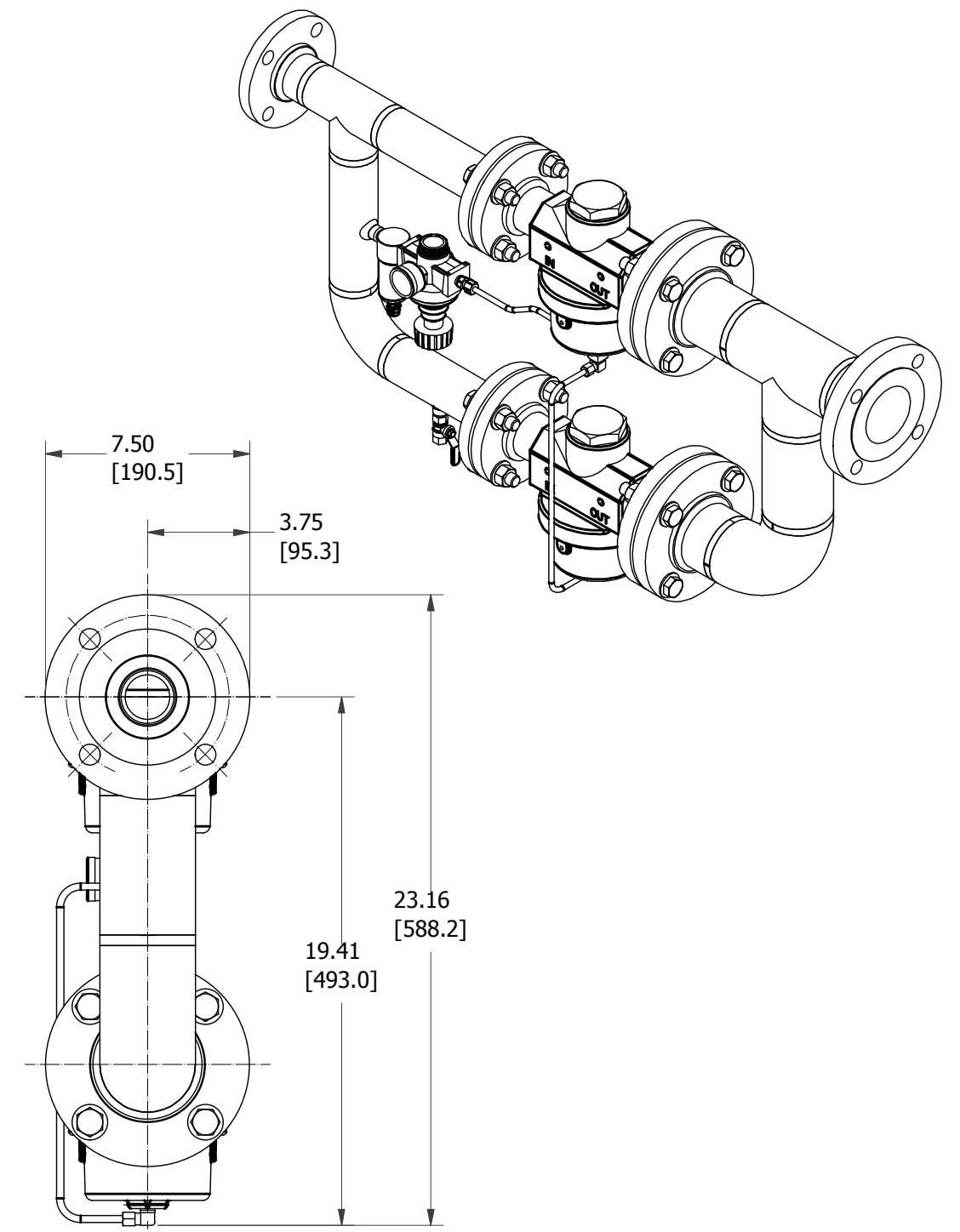
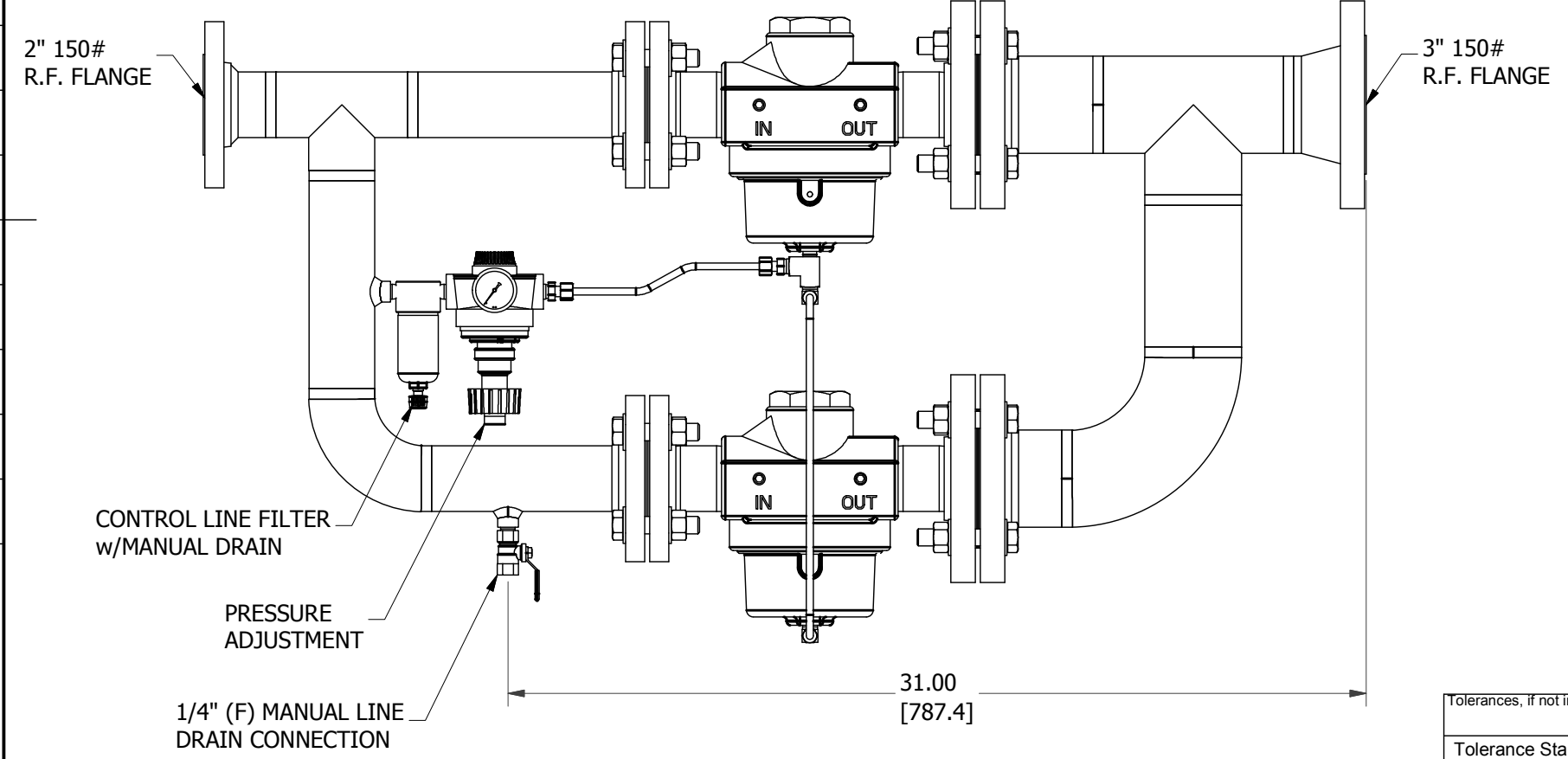
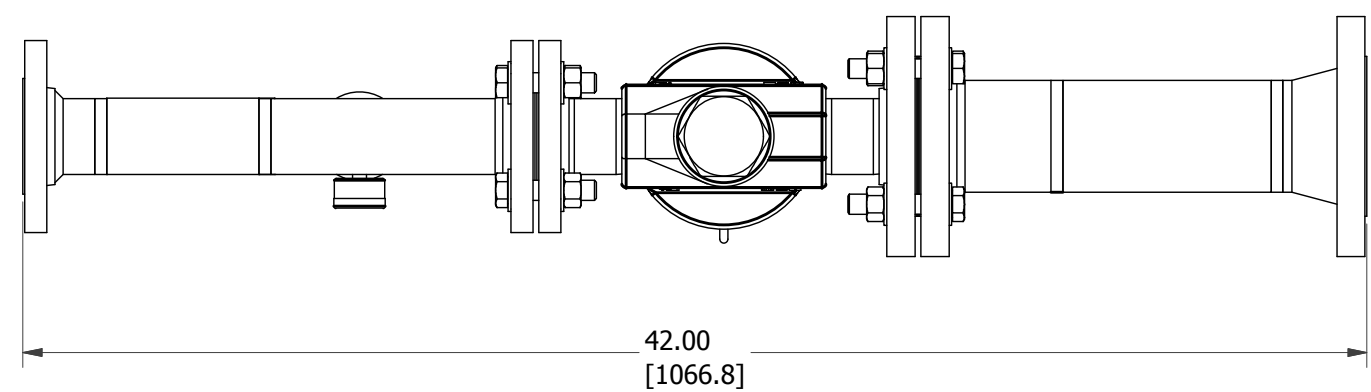


1 2 3 4 5 6 7 8 9 10



Tolerances, if not indicated, according to:									
Tolerance Standard/Class									
Name PPFC-2,QUINCY,2X3,FLOW CONTROLLER,401965								Secretcy Class 1102 K /	
Material								INVENTOR	
<b>QC</b>		Scale		Family		B Compare		Drawing owner	
<b>E i ]bVth</b>		Drawn by mbolton		Blank no.		Replaces			
<b>CompfYggcf</b>		Dwg Revision 01		Blank wt		Lbs Finish wt. 125 Lbs		Designation	
STATUS		Design chkd.		Product chkd.		Eng. Approved M.B.		Date 2/16/2011	
RELEASED		PARENT 3D MODEL:		VERSION 3D:		4103 0155 48		Sheet 2 / 2	

02		UPDATE UNIT DESCRIPTION	06/13/11	MBB	JZ	4103 0155 48	02
REV.	POSITION	MODIFIED FROM	DATE	REV BY	APRVD BY	PARENT 3D MODEL:	VERSION 3D:

**CONFIDENTIAL**  
 This document is our property and shall not without our permission be altered, copied, used for manufacturing or communicated to any other person or company.