



2 STAGE OIL-SEALED ROTARY VANE VACUUM PUMPS

Atlas Copco

GVD 40-80



FEATURES AND BENEFITS

- Advanced pressurized oil circuit to give effective lubrication even under high gas loads.
- When the pump is switched off, the spring loaded distributor valve provides oil and air suck-back protection.
- Gas ballast control to assist in handling high water vapor loads.
- Industrial roller bearings on drive shaft for ultimate reliability and long, trouble free life.
- Full height oil sight glass for easy checking of oil level and condition.
- Easy change oil filter, with oil filter condition gauge on larger models.
- Central inlet port to allow easy mounting of mechanical booster pump if required.
- Easy to maintain, with convenient service kits and international customer support.
- A wide range of accessories to match your application needs
- The pumps and accessories can be supplied either as individual components or as fully systemized, factory-tested combinations.

TECHNICAL SPECIFICATIONS GVD 40-80

	GVD 40		GVD 80	
	50 Hz	60 Hz	50 Hz	60 Hz
Displacement	42.5 m ³ h ⁻¹ / 25 cfm	50.5 m ³ h ⁻¹ / 29.7 cfm	80 m ³ h ⁻¹ / 471 cfm	96 m ³ h ⁻¹ / 56.5 cfm
Speed (Pneurop 6602)	37 m ³ h ⁻¹ / 21.8 cfm	44 m ³ h ⁻¹ / 25.9 cfm	74 m ³ h ⁻¹ / 43.6 cfm	90 m ³ h ⁻¹ / 53 cfm
Ultimate vacuum (total pressure) without gas ballast	1 x 10 ⁻³ mbar / 7.7 x 10 ⁻⁴ Torr		1 x 10 ⁻³ mbar / 7.7 x 10 ⁻⁴ Torr	
Ultimate vacuum (total pressure) with gas ballast	7 x 10 ⁻³ mbar / 5.4 x 10 ⁻³ Torr		7 x 10 ⁻³ mbar / 5.4 x 10 ⁻³ Torr	
Inlet connection suitable for	DN40 ISO-KF		DN40 ISO-KF	
Outlet connection suitable for	DN25 ISO-KF		DN25 ISO-KF	
Max. outlet pressure	0.5 bar / 7 psig gauge		0.5 bar / 7 psig gauge	
Max. inlet pressure for water vapor	7 mbar / 5.3 Torr		5 mbar / 3.8 Torr	
Max. water vapor pumping rate	0.2 kg h ⁻¹ / 0.4 lb h ⁻¹		0.3 kg h ⁻¹ / 0.7 lb h ⁻¹	
Weight (without oil)	82 kg / 179 lb		125 kg / 275 lb	
Motor protection rating	IP55		IP55	
Motor power	1.1 kW / 1.5 hp*	1.5 kW / 2 hp	2.2 kW / 3 hp*	3 kW / 4 hp
Maximum oil capacity	3.5 litre / 3.2 qt		6.3 litre / 6.7 qt	
Minimum oil capacity	1.32 litre / 1.6 qt		4 litre / 4.2 qt	
Noise level	65 dB (A)		70 dB (A)	

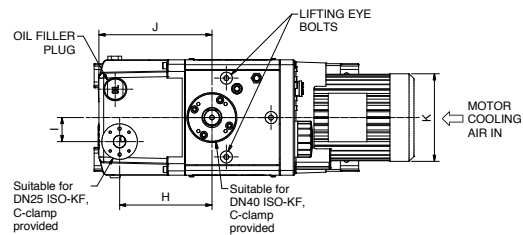
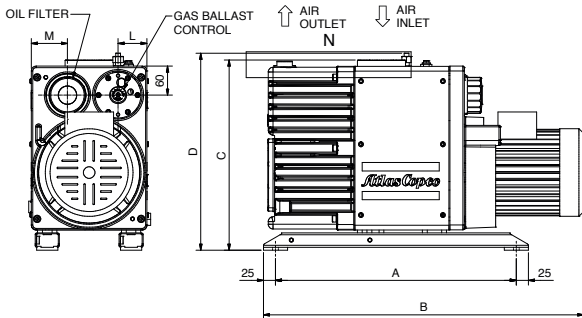
* GVD 40 1.5 kW at 50/60 Hz and GVD 80 3.0 kW at 50/60 Hz.
All motors are 3-phase energy-efficient.
IEC EN60034.



APPLICATIONS

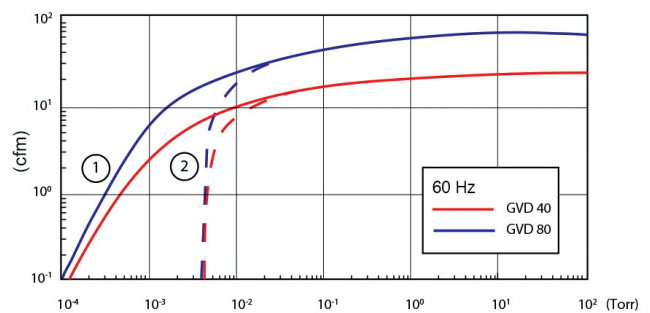
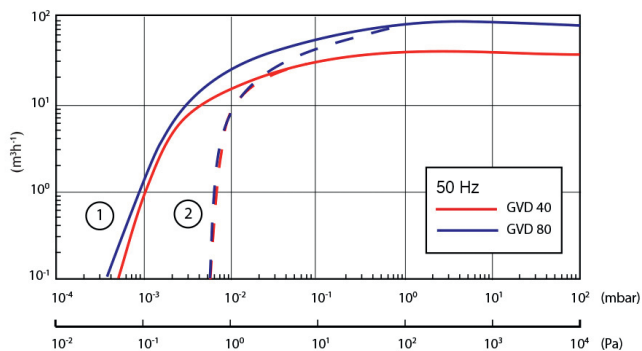
- Refrigeration and air conditioning system evacuation, drying, and backfilling
- Vacuum drying and distillation
- Backing pump for high vacuum applications
- Vacuum metallurgy processes
- Thin film coating technologies
- Freeze drying
- Transformer and cable drying and impregnation, insulating oil treatment plant
- Cryogenic vessel evacuation

DIMENSIONS



MODEL	A	B	C	D	E	F	G	H	I	J	K	L	M
GVD 40	500	690	395	409	174	240	253	192	50	235	182	60	75
GVD 80	550	796	429	445	196	266	274	221	53	271	198	75	84

PERFORMANCE CURVES



1: Without gas ballast.
2: With gas ballast open.

Available motor voltages:
• 400 V 50 Hz
• 460 V 60 Hz NEMA premium
• 200/380 Hz 50/60 Hz

For ultimate vacuum figures, please consult the technical specification table on the front page.



ISO 9001 • ISO 14001
OHSAS 18001

