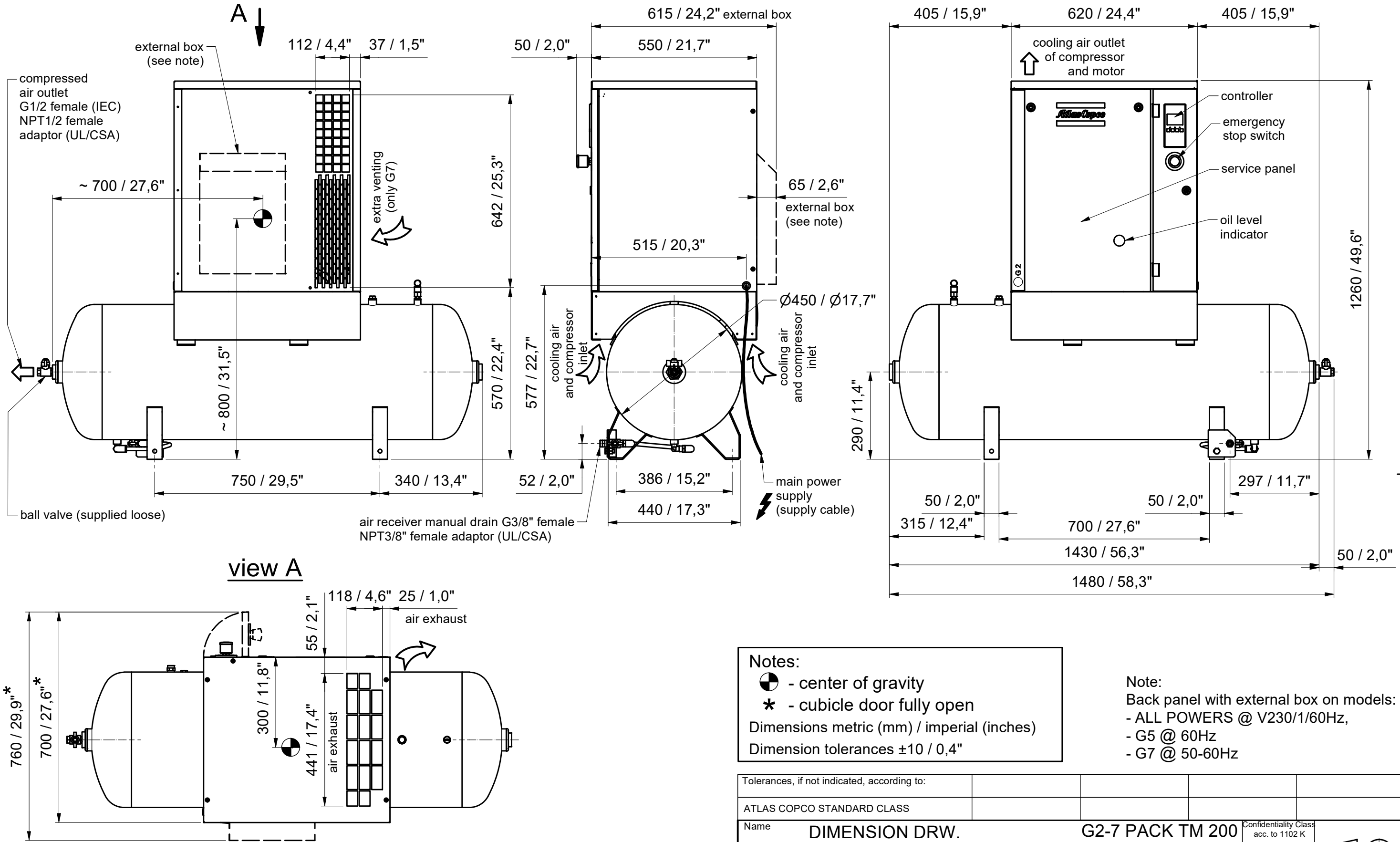


CONFIDENTIAL:

This document is property of Atlas Copco AB and shall not without our permission be altered, copied, used for manufacturing or communicated to any other person or company.

All materials supplied are in compliance with the requirements of the List of Prohibited Substances



**Notes:**

- - center of gravity
- \* - cubicle door fully open

Dimensions metric (mm) / imperial (inches)  
Dimension tolerances ±10 / 0,4"

**Note:**  
Back panel with external box on models:  
- ALL POWERS @ V230/1/60Hz,  
- G5 @ 60Hz  
- G7 @ 50-60Hz

Tolerances, if not indicated, according to:		ATLAS COPCO STANDARD CLASS	
Name		DIMENSION DRW. G2-7 PACK TM 200	
Material		Not applicable	
Treatment		Not applicable	
Scale		1 : 12	
Family		C43	
Drawn by		caisgraser	
Drawing format		Blank wt	
STATUS		A3	
Des checked.		Prod checked.	
Approved.		Date	
Compare		Replaces	
Designation		Sheet 1 / 1	
Drawing Owner		Transferred from	
CAI			
Confidentiality Class acc. to 1102 K		Confidential	
INV			
9828084235			

00	Document release. CID 27712-12/10/2020. DN20062831	10/09/2020	sgraser	9828084228-M1	
Ed	Position	Date	Intr./Appd.	Parent 3D model	Ed. Version 3D
	Modified from				Approved